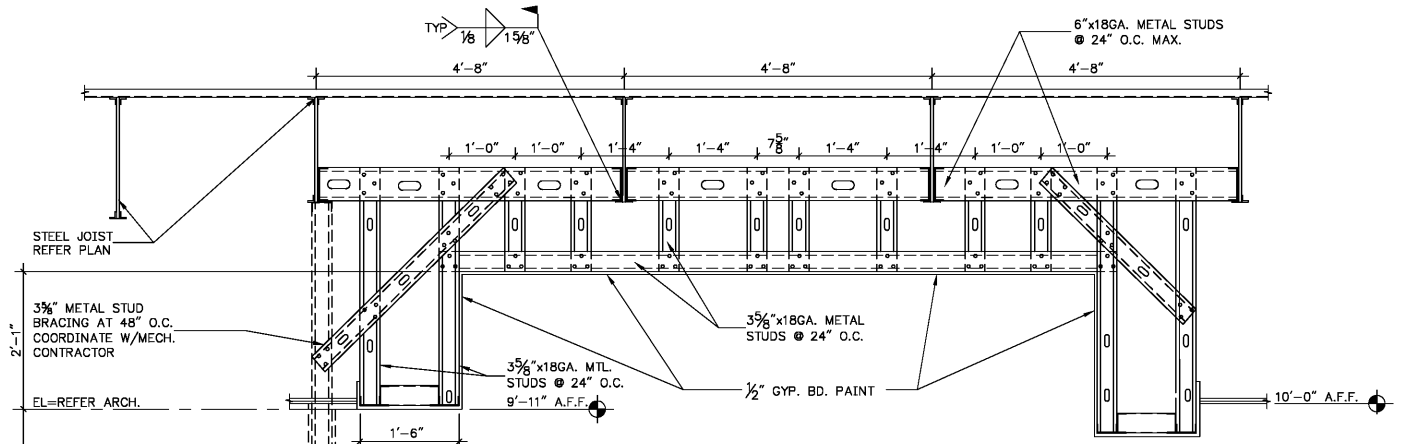
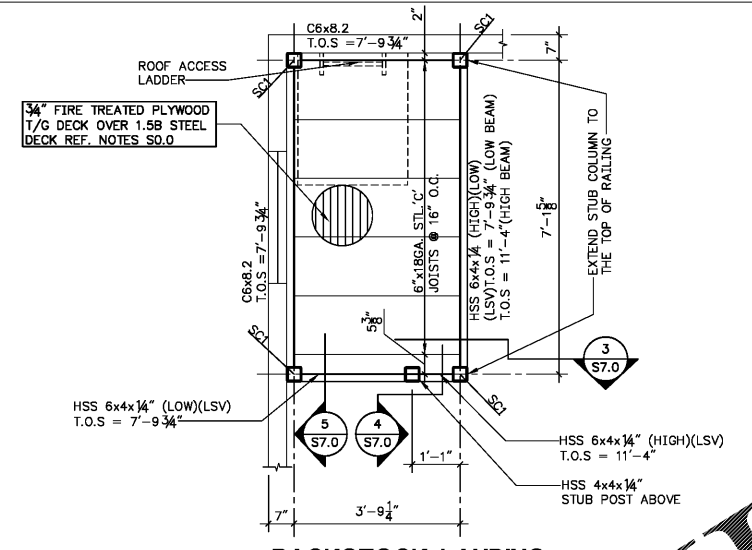


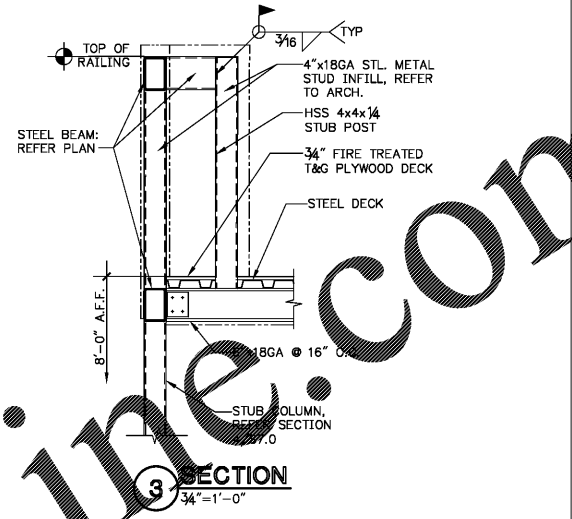
Z:\OBS\Jobs Current\01 - LOVES TRAVEL STOPS AND YARD BUILDING\TRAVEL STOPS\18405-Travel Stop-Calhouan, GA\LA1-ENG\18405-S7.0.dwg 05-24-2018 - 8:45am



1 SECTION
1/2"=1'-0"

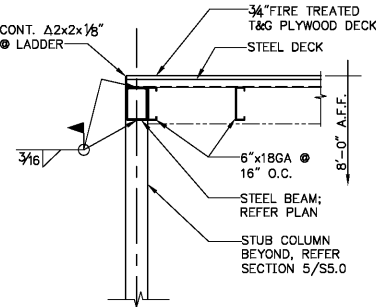


2 BACKSTOCK LANDING
PLAN AT COOLER
1/2"=1'-0"

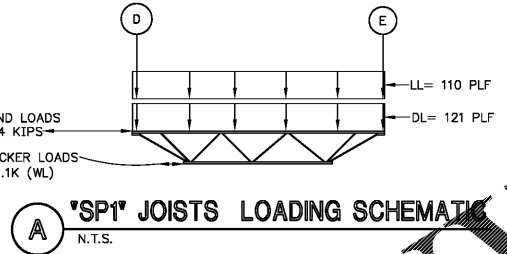


3 SECTION
3/4"=1'-0"

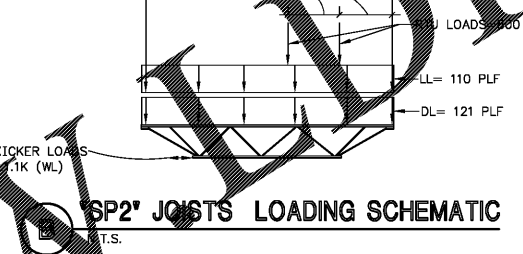
NOTE:
EACH METAL STUD TO HAVE (3)-1/2"
S-12 PAN HEAD METAL SCREWS AT
EACH END OR INTERSECTION.



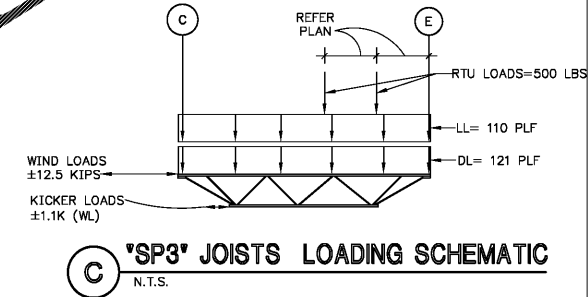
5 SECTION
3/4"=1'-0"



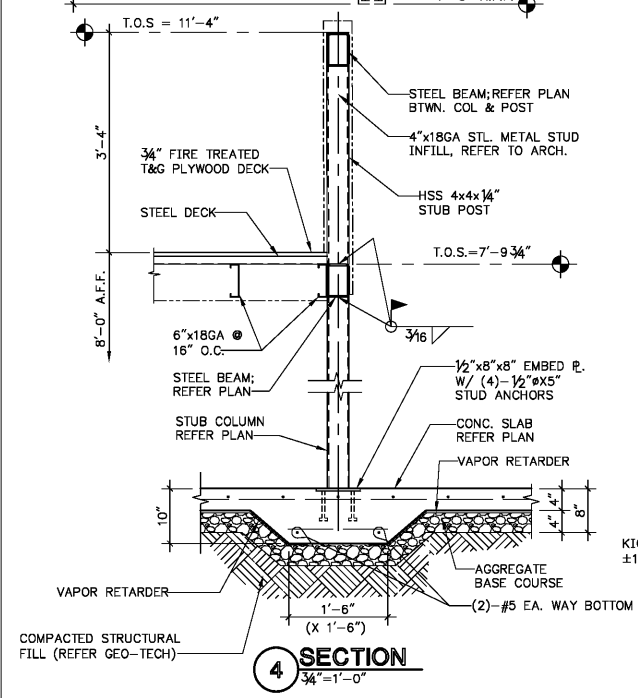
A *SP1* JOISTS LOADING SCHEMATIC
N.T.S.



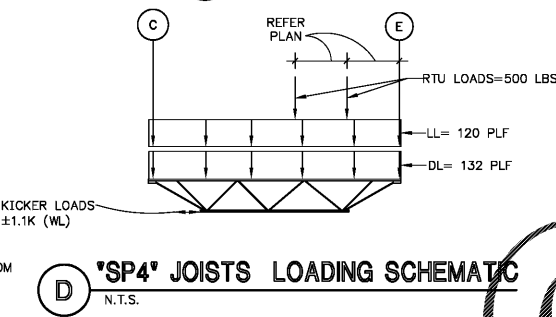
B *SP2* JOISTS LOADING SCHEMATIC
N.T.S.



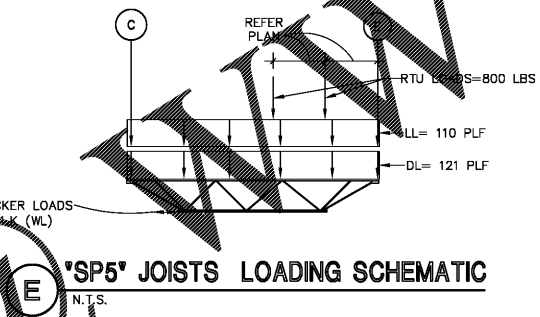
C *SP3* JOISTS LOADING SCHEMATIC
N.T.S.



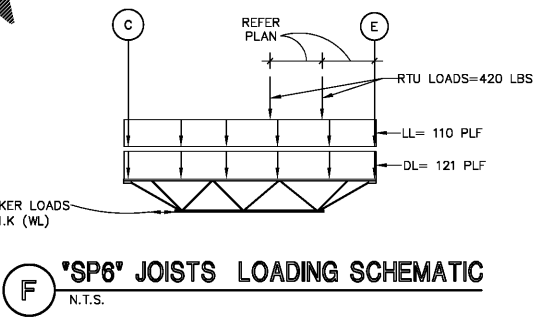
4 SECTION
3/4"=1'-0"



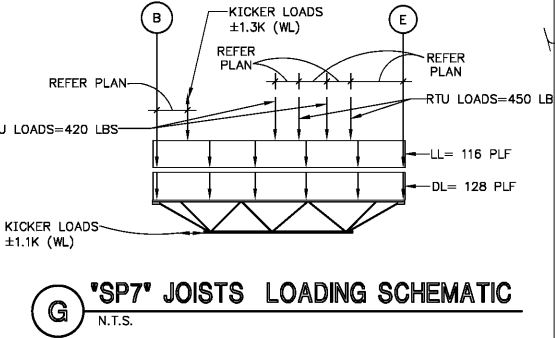
D *SP4* JOISTS LOADING SCHEMATIC
N.T.S.



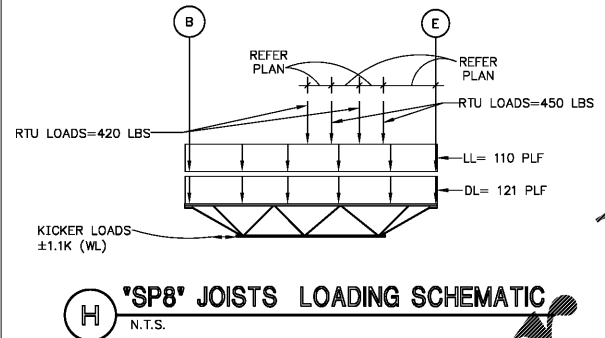
E *SP5* JOISTS LOADING SCHEMATIC
N.T.S.



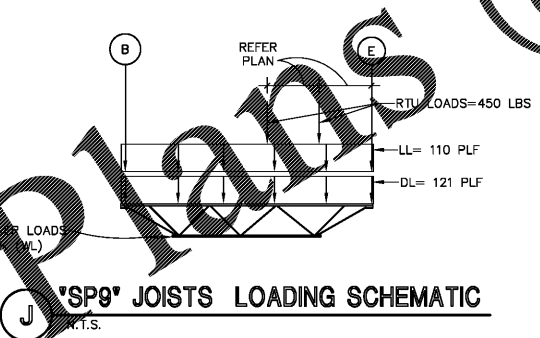
F *SP6* JOISTS LOADING SCHEMATIC
N.T.S.



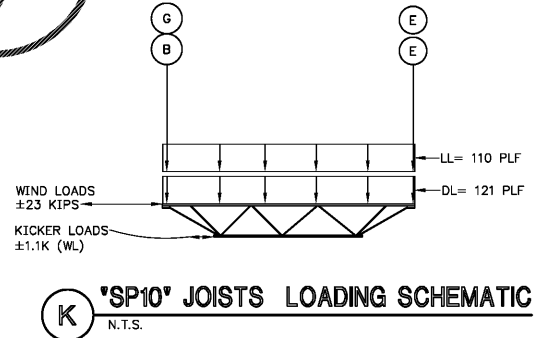
G *SP7* JOISTS LOADING SCHEMATIC
N.T.S.



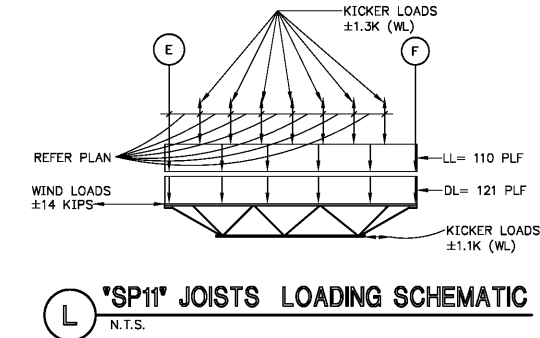
H *SP8* JOISTS LOADING SCHEMATIC
N.T.S.



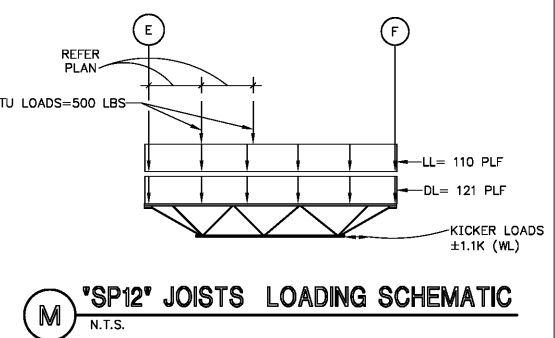
J *SP9* JOISTS LOADING SCHEMATIC
N.T.S.



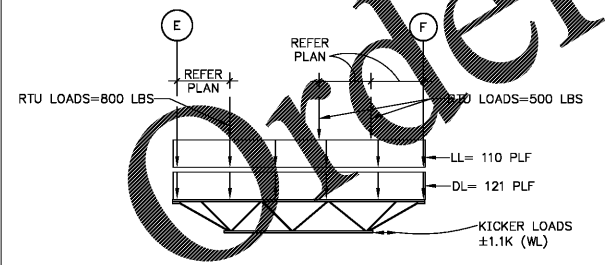
K *SP10* JOISTS LOADING SCHEMATIC
N.T.S.



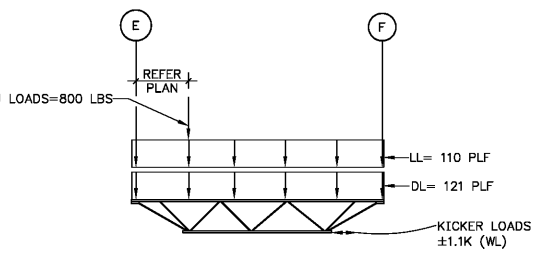
L *SP11* JOISTS LOADING SCHEMATIC
N.T.S.



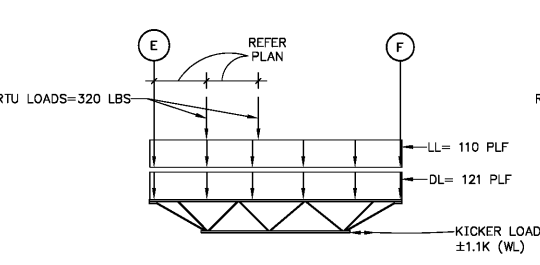
M *SP12* JOISTS LOADING SCHEMATIC
N.T.S.



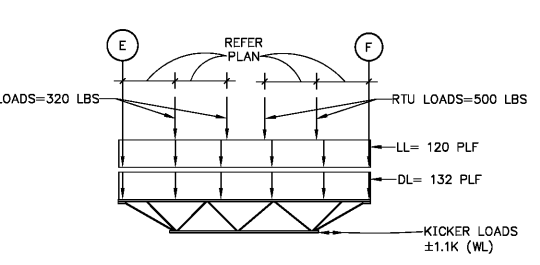
N *SP13* JOISTS LOADING SCHEMATIC
N.T.S.



P *SP14* JOISTS LOADING SCHEMATIC
N.T.S.



Q *SP15* JOISTS LOADING SCHEMATIC
N.T.S.

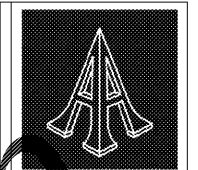


R *SP16* JOISTS LOADING SCHEMATIC
N.T.S.

1. JOIST MANUFACTURER NOTE :
LOADS SHOWN ARE SERVICE LOADS
ONLY. APPLY THE FACTORS AS
REQ'D PER BLDG. CODE
2. STEEL JOISTS SHALL BE DESIGNED
BY JOIST MANUFACTURER TO RESIST
A NET UPLIFT OF 10 PSF
3. FOR KICKER LOADS REFER
DETAILS 7/S4.0

Revisions table with columns for No. and Date.

Project No.: LVS18735
Date: 01/18/2018
Sheet No.: S7.0
ROOF FRAMING SECTIONS
&
JOIST LOADING SCHEMATICS



Pascal Aughtry & Associates, PC

485 483 3454
Fax 485 483 3483
937 East Brown Road
Oklawaha City, OK 73114
pascaarch.com



05/24/2018
SAL JOB #18405

A NEW TRAVEL STOP
STORE No. 735
CALHOUN, GA



Order Plans