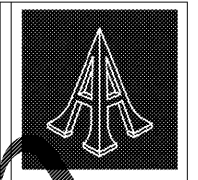
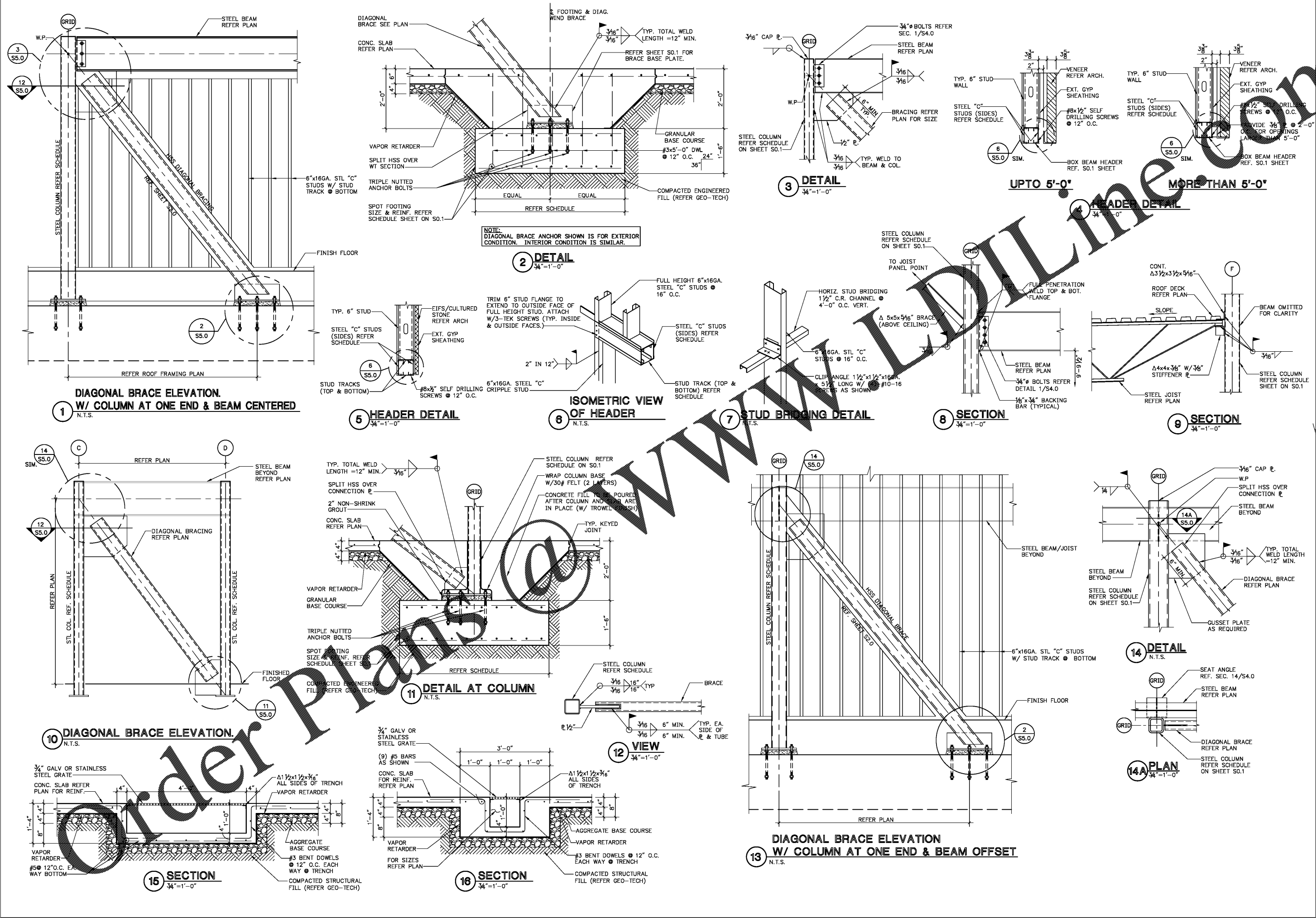
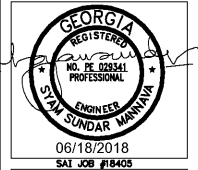


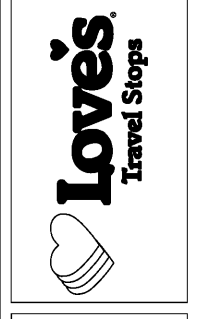
Z:\JOBS\Jobs Current\01 - LOVES TRAVEL STOPS AND YARD BUILDING\TRAVEL STOPS\18405-ENG\18405-SS.0.dwg 06-18-2018 10:16am



Pascal Aughtry & Associates, PC
 405.463.3464
 Fax 405.463.3483
 937 East Broken Road
 Oklahoma City, OK 73114
 pascalarc@pcac.com



LOVES
 A NEW TRAVEL STOP
 STORE No. 735
 CALHOUN, GA



Revisions:

No.	Date

Project No.: LVS18735
 Date: 01/18/2018
 Sheet No.: **SS.0**
BRACING DETAILS & STUD FRAMING DETAILS
 OF: