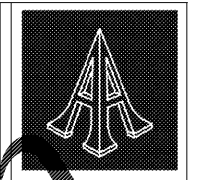


Z:\OBS\Jobs Current\01 - LOVES TRAVEL STOPS AND YARD BUILDING\TRAVEL STOPS\18405-S3.0.dwg 05-24-2018 - 8:43am



405 483 3484
Fax 405 483 3483
937 East Ribbon Road
Okemona City, OK 73114
paa@paa.com

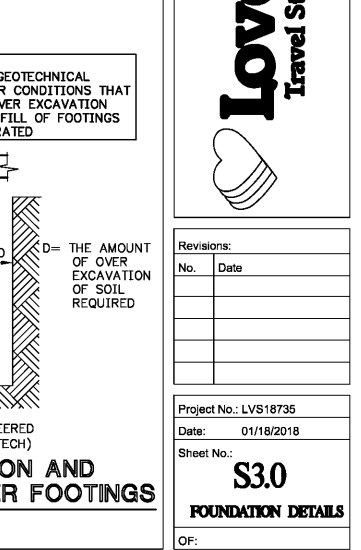
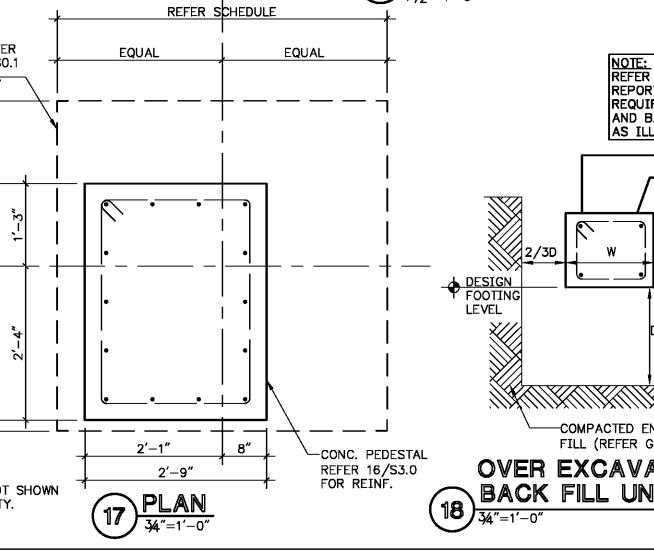
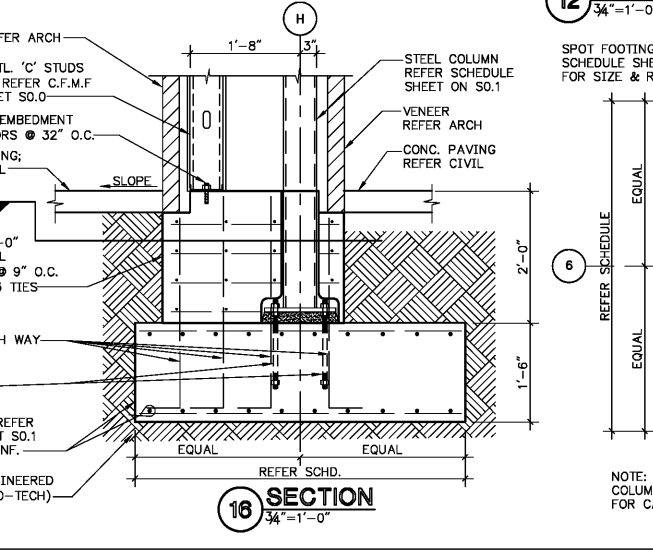
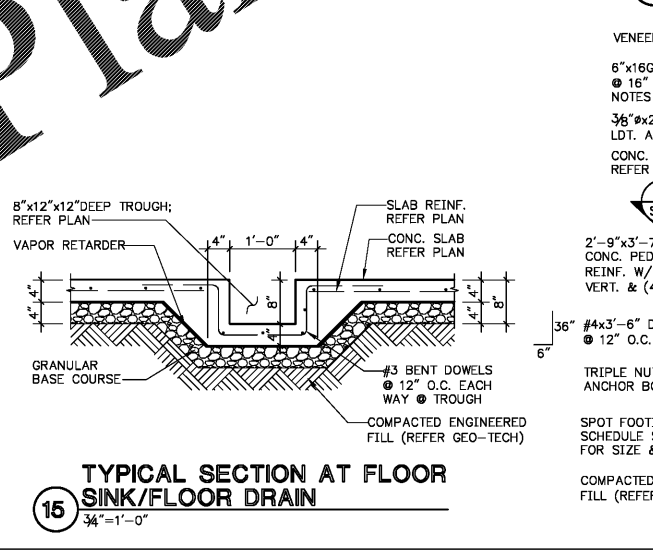
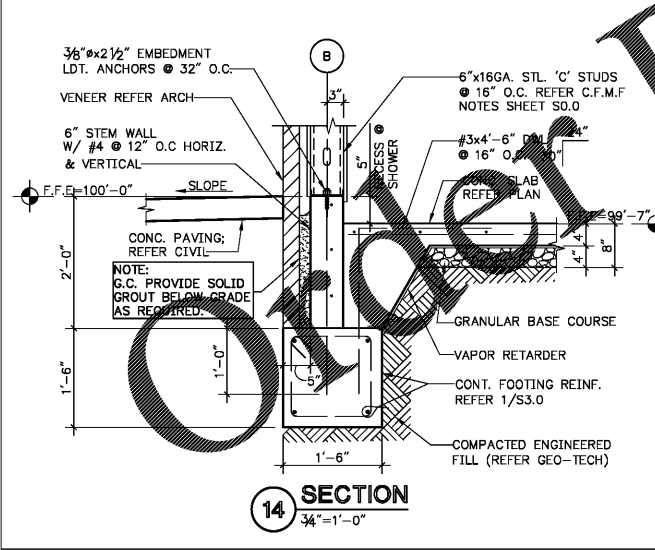
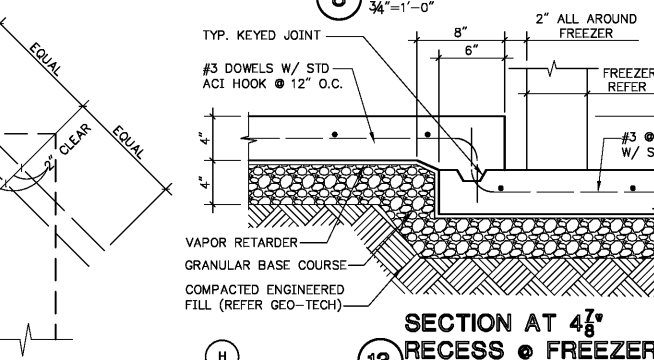
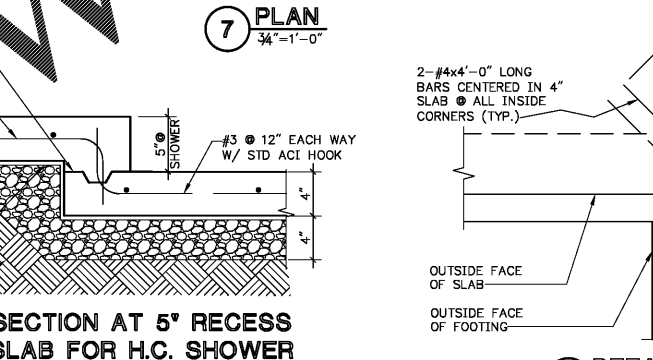
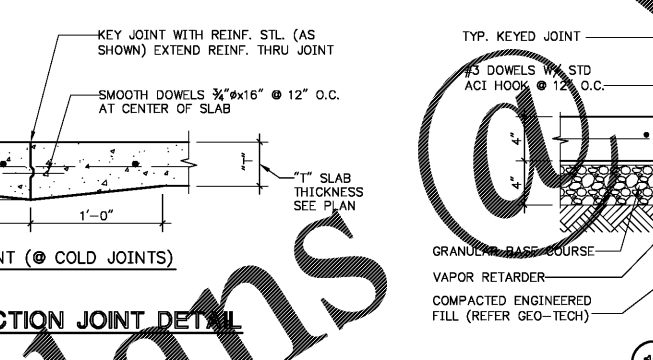
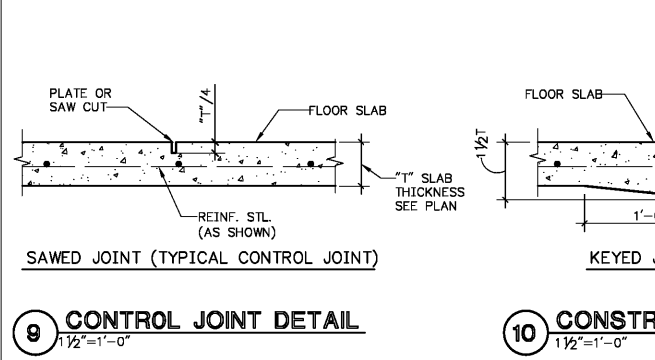
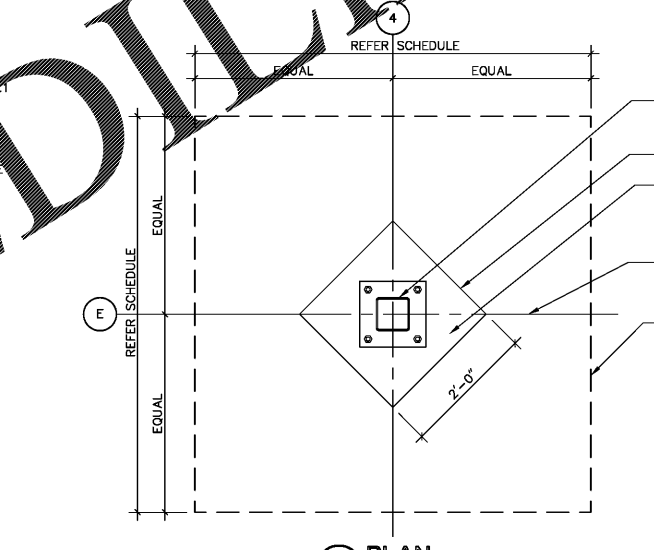
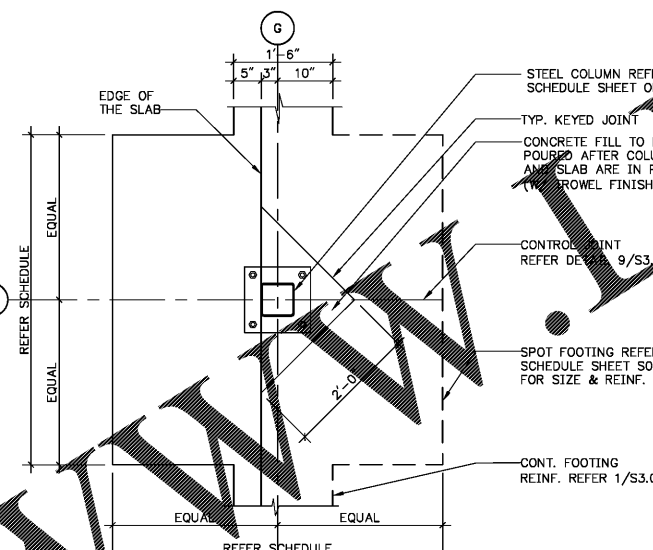
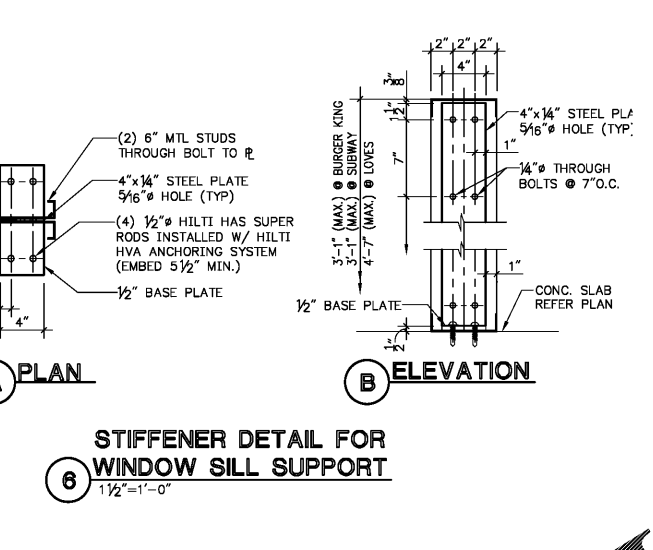
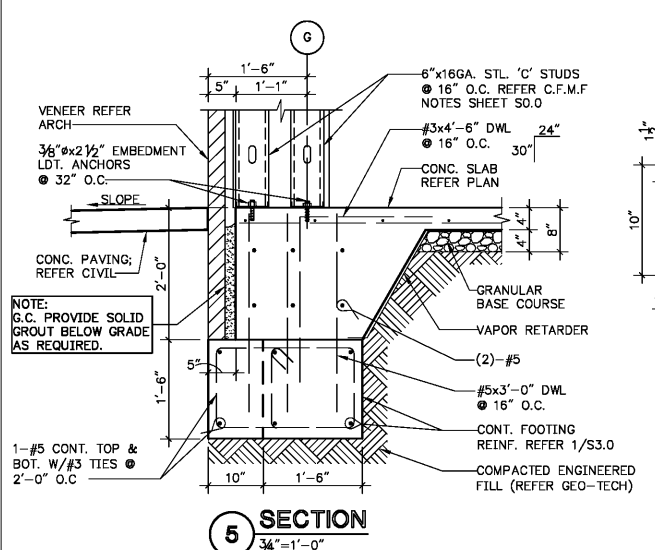
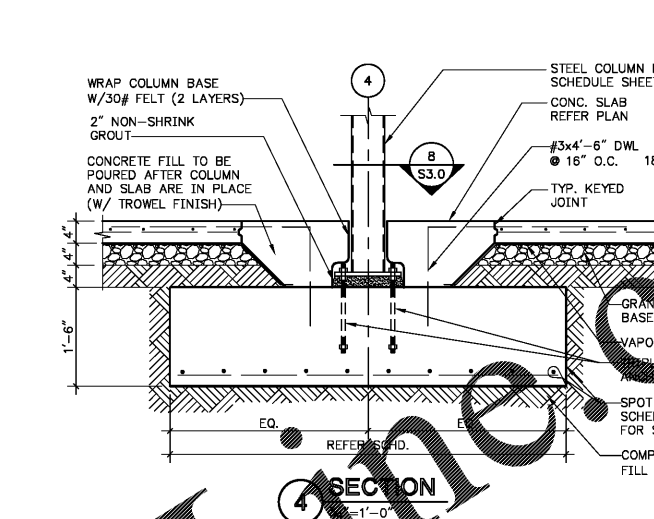
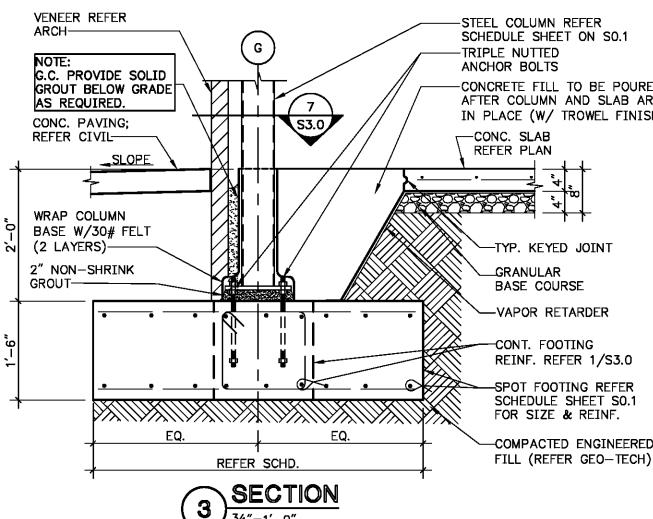
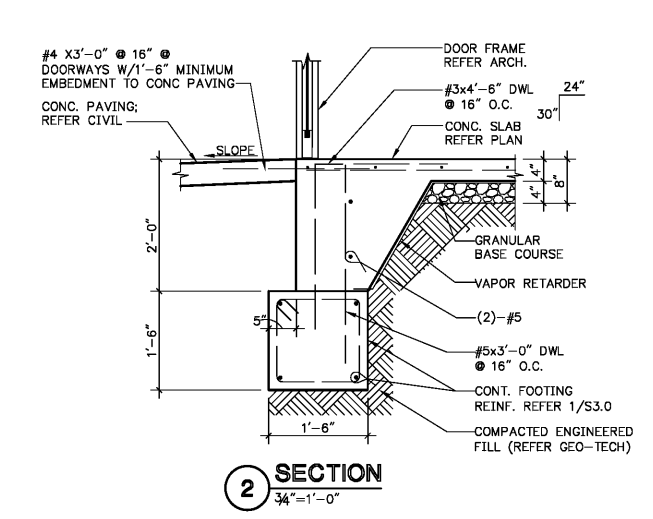
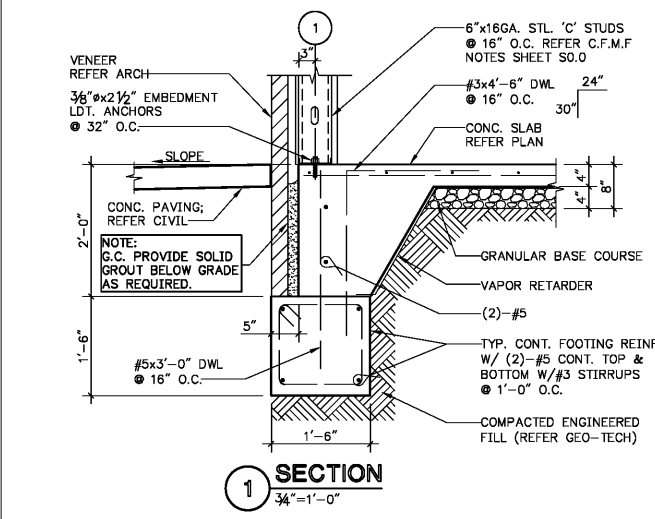
Pascal Aughtry & Associates, PC



A NEW TRAVEL STOP
STORE No. 735
CALHOUN, GA



Revisions:
No. Date
Project No.: LVS18735
Date: 01/18/2018
Sheet No.:
S3.0
FOUNDATION DETAILS
OF:



Order Plans