

Pascal Aughtry & Associates, PC

405.463.3434
Fax: 405.463.3493
937 East Burton Road
Oklahoma City, OK 73114
pascaarch.com



A NEW TRAVEL STOP
STORE NO. 735
CALHOUN, GA



Revisions:	
No.	Date

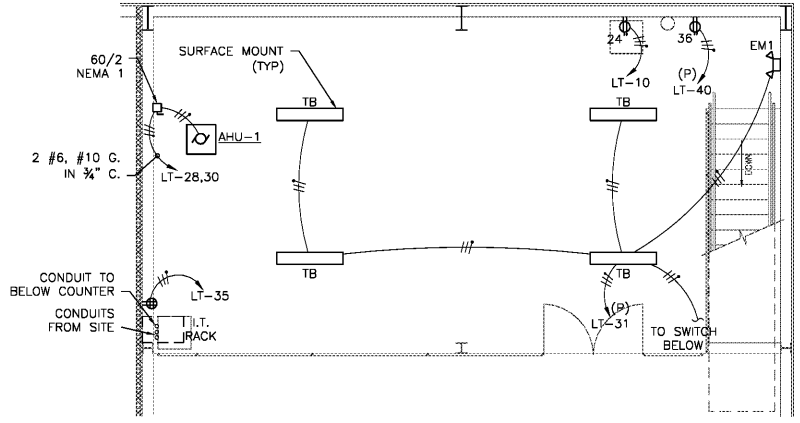
Project No.: LVS - 18735
Date: 05-22-18
Sheet No.:

YE-8.1

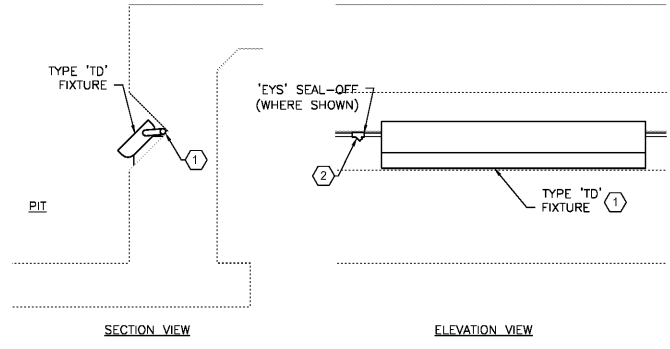
OF:

LIGHTING FIXTURE SCHEDULE (FIXTURES BY OWNER)

ID	MANUF.	MODEL #	VOLT	LAMPS		MOUNT.	REMARKS
				#	TYPE		
A1	METALUX	24SR LD1 39 C UNV L850 CD1 U	120	--	LED (39W)	RECESSED	
K	LSI	S 4 LED HO CW UE	120	--	LED (44W)	SURFACE	
TA	LSI	S 8 LED VHO CW UE	120	--	LED (114W)	PENDANT	18'-0" TO BOTTOM
TAE	LSI	S 8 LED VHO CW UE EM	120	--	LED (114W)	PENDANT	18'-0" TO BOTTOM EMERGENCY BATTERY
TB	LSI	S 4 LED VHO CW UE	120	--	LED (57W)	SURFACE	
TC	METALUX	HBLEDD LD4 18 W UNV L850 ED2 U	120	--	LED (152W)	PENDANT	18'-0" TO BOTTOM
TCE	METALUX	HBLEDD LD4 18 W UNV L850 EL14W ED2 U	120	--	LED (152W)	PENDANT	18'-0" TO BOTTOM EMERGENCY BATTERY
TD	CROUSE-HINDS	MLL4 UNV1 S903 TF	120	--	LED (65W)	SURFACE	
TDE	CROUSE-HINDS	MLL4 UNV1 S903 TF EM-UNV1	120	--	LED (65W)	SURFACE	EMERGENCY BATTERY
CCW	MCGRAW EDISON	GLEON AA 04 LED E1 SL4 BZ WM	--	--	LED (20W)	WALL	SEE ARCH. ELEVATIONS FOR MOUNTING HEIGHTS
GG	US LED	DS 402U UNV QB2 SM1 50	120	--	LED (34W)	WALL	SEE ARCH. ELEVATIONS FOR MOUNTING HEIGHTS
GG1	US LED	DS 402U UNV 50 1 00	120	--	LED (34W)	WALL	SEE ARCH. ELEVATIONS FOR MOUNTING HEIGHTS
X	LITHOMIA	LHOM 100 R HO M6	280	--	INCLUDED	UNIVERSAL	
EM1	LITHOMIA	ELM2 LED T M12	120	--	INCLUDED	WALL OR CLG.	12'-0" AFF TO BOTTOM
EM3	LITHOMIA	ELA LED T M12	6	--	INCLUDED	WALL OR CLG.	



1 FLOOR PLAN - TIRE SHOP MEZZANINE - LIGHTING & POWER
3/16" = 1'-0"

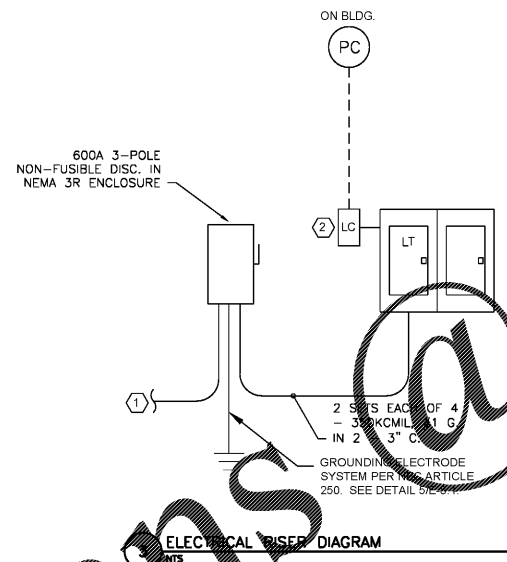


2 PIT LIGHTING DETAIL
3/4" = 1'-0"

PANEL LT									
VOLTAGE (L-N):		208		ENCLOSURE TYPE:		NEMA 1			
VOLTAGE (L-L):		208		MOUNTING:		SURFACE			
PHASES, WIRES:		3 φ, 4 W		AIC RATING (A):		22000			
MINIMUM BUS CAPACITY:		600 A		NOTES:		PROVIDE W/ I.G. BAR			
MAXIMUM SERVICE:		600 A MLO							

CKT NO	TRIP AMPS	POLE	DESCRIPTION	LOAD (VA)	PHASE			LOAD (VA)	DESCRIPTION	POLE	TRIP AMPS	CKT NO
					A	B	C					
1,3,5	90	3	AIR COMPRESSOR	5544			1560	HP-1 *3	2	30	2,4	
1,3,5	90	3	AIR COMPRESSOR	5544			1560	HP-1 *3	2	30	2,4	
1,3,5	90	3	AIR COMPRESSOR	5544			1560	BLDG. SIGNS *1	1	20	6	
7,9,11	30	3	TIRE BALANCE	1600			780	BLDG. SIGNS *1	1	20	8	
7,9,11	30	3	TIRE BALANCE	1600			696	AIR DRYER	1	20	10	
7,9,11	30	3	TIRE BALANCE	1600			1000	TIRE SPREADER	1	20	12	
13,15	50	2	PORTABLE WELDER	4200			200	FIRE ALARM *2	1	20	14	
13,15	50	2	PORTABLE WELDER	4200			550	EF-1-3	1	20	16	
17,19	50	2	PORTABLE WELDER	4200			720	REC - LOBBY	1	20	18	
17,19	50	2	PORTABLE WELDER	4200			1260	REC - STORAGE	1	20	20	
21	20	1	LTG - SERVICE BAY	862			720	REC - SERVICE BAY	1	20	22	
23	20	1	LTG - SERVICE BAY	912			720	REC - SERVICE BAY	1	20	24	
25	20	1	LTG - SERVICE BAY	912			900	REC - SERVICE BAY, WP	1	20	26	
27	20	1	EWC	500			5200	AHU-1 *3	2	50	28,30	
29	20	1	LTG - STORAGE	1594			5200	AHU-1 *3	2	50	28,30	
31	20	1	LTG - LOBBY, SERVICE	1299			720	REC - SERVICE BAY, WP	1	20	32	
33	20	1	LTG - EXTERIOR *1	1516			550	REC - RESTROOM	1	20	34	
35	20	1	REC - IT RACK	500			563	EW-1	2	20	36,38	
37	20	1	IG REC - COUNTER	1080			563	EW-1	2	20	36,38	
39,41,43	20	3	DWH-1	1334			720	REC - SERVICE, WP	1	20	40	
39,41,43	20	3	DWH-1	1333			1200	MOTORIZED DOOR - SHOP	1	20	42	
39,41,43	20	3	DWH-1	1333			1200	MOTORIZED DOOR - SHOP	1	20	44	
45	20	1	VENTILATION FAN	1152			1200	MOTORIZED DOOR - SHOP	1	20	46	
47	20	1	VENTILATION FAN	1152			1200	MOTORIZED DOOR - SHOP	1	20	48	
49	20	1	REC - SUMP	1200			1500	UH-5	2	20	50,52	
51	20	1	EF-4	864			1500	UH-5	2	20	50,52	
53	20	1	LTG - SERVICE BAY	568			1200	MOTORIZED DOOR - SHOP	1	20	54	
55,57	20	2	PORTABLE WELDER	2774			1200	MOTORIZED DOOR - SHOP	1	20	56	
55,57	20	2	PORTABLE WELDER	2774			780	BLDG. SIGNS *1	1	20	58	
59,61	30	2	LTG - PK LOT *1	1285			1152	EF-6	1	20	60	
59,61	30	2	LTG - PK LOT *1	1290			1152	EF-7	1	20	62	
63,65	30	2	LTG - PK LOT *1	1028			1624	LTG - PIT	1	20	64	
63,65	30	2	LTG - PK LOT *1	1032			0	SPARE	1	20	66	
67	20	1	SPARE	0			0	SPARE	1	20	68	
69	20	1	SPARE	0			240	DIRECTIONAL SIGN *1	1	20	70	
71	20	1	MOTORIZED DOOR - STORAGE	1200			2500	UH-1	2	35	72,74	
73,75	50	2	REC - TRAINING TRAILER	4000			2500	UH-1	2	35	72,74	
73,75	50	2	REC - TRAINING TRAILER	4000			2500	UH-2	2	35	76,78	
77	20	1	SPARE	0			2500	UH-2	2	35	76,78	
79	20	1	SPARE	0			2500	UH-3	2	35	80,82	
81	20	1	SPARE	0			2500	UH-3	2	35	80,82	
83	20	1	SPARE	0			2500	UH-4	2	35	84,86	
85	20	1	SPARE	0			2500	UH-4	2	35	84,86	
87	20	1	SPARE	0			864	EF-5	1	20	88	
89	20	1	SPARE	0			1200	REC - SUMP	1	20	90	
91	20	1	SPARE	0			0	SPARE	1	20	92	
93	20	1	SPARE	0			0	SPARE	1	20	94	
95	20	1	SPARE	0			0	SPARE	1	20	96	

CIRCUIT NOTES:			
1. CIRCUIT THROUGH LIGHTING CONTACTOR			
2. LOCK-ON TYPE BREAKER			
3. HACR TYPE BREAKER			
4. LOCKABLE TYPE BREAKER			
	CONNECTED LOAD (KVA)	DEMAND FACTOR	DEMAND LOAD (KVA)
Coating and Heating	13.5	0.80	10.8
Equipment	37.6	1.00	37.6
Heating	28.1	1.25	35.2
Lighting	7.7	1.25	9.7
Lighting - Exterior	9.4	1.25	11.8
Motors	18.3	1.00	18.3
Motors (Largest)	16.6	1.25	20.8
Receptacles (0 - 10 KVA)	7.3	1.00	7.3
	CONNECTED LOAD	138.6 KVA	
	DEMAND LOAD	384.8 AMPS	
	SPARE CAPACITY	420.3 AMPS	
		64.7 KVA	
		179.7 AMPS	
		30 %	



RISER DIAGRAM GENERAL NOTES:

- ALL SWITCHGEAR SHALL BE CUTLER-HAMMER, PROVIDED BY OWNER. ANY REQUIREMENTS SHALL BE BY E.C.
- THE ORDER FOR THE ELECTRICAL SWITCHGEAR EQUIPMENT (FURNISHED BY LOVE'S) WILL ONLY BE RELEASED AFTER THE E.C. HAS VERIFIED WITH THE UTILITY COMPANY THAT THE DESIGN PERTAINING TO THE ELECTRICAL SERVICE (METERING, CT ENCLOSURE(S), CONDUIT(S), TRANSFORMER PAD, ETC.) MEETS THEIR REQUIREMENTS. THE OWNER (LOVE'S) MUST RECEIVE THIS VERIFICATION TO RELEASE THE ORDER.

RISER DIAGRAM KEYED NOTES:

- CONNECTION TO LOVE'S MDP. SEE SHEET E-6.1 FOR CONTINUATION AND E-1.1 FOR ROUTING.
- 12-POLE LIGHTING CONTACTOR FOR CONTROL OF EXTERIOR LIGHTING CIRCUITS AT TIRE SHOP. CONNECT PHOTOCELL. SEE DETAIL ON SHEET E-6.1.

Order Plans