

Pascal Aughtry & Associates, PC

405.463.3494  
Fax: 405.463.3493  
937 East Brison Road  
Oklahoma City, OK 73114  
pascalarch.com



May 22 2018 3:15 PM

**Love's**  
Travel Stops  
A NEW TRAVEL STOP  
STORE NO. 735  
CALHOUN, GA

Revisions:	
No.	Date

Project No.: LVS - 18735  
Date: 05-22-18  
Sheet No.:

**YP4.1**

OF:

### PLUMBING FIXTURE SCHEDULE

MARK	DESCRIPTION	MANUFACTURER	MATERIAL	ACCESSORIES	CW	HW	WASTE	VENT	REMARKS
WC-1	* WATER CLOSET FLUSH TANK ADA COMPLIANT	AMERICAN STANDARD 3517A.101.020	VITREOUS CHINA	TANK: AMERICAN STANDARD 4188A.104.020 LEFT HAND SEAT: BEMIS 195C-000	3/4"	--	3"	2"	FLOOR MOUNTED TOILET - WHITE FINISH - ANTIMICROBIAL SURFACE ELONGATED BOWL, 12" ROUGH-IN - FULLY GLAZED INTERNAL TRAPWAY, HEAVY DUTY, OPEN FRONT, ELONGATED SEAT, HEAVY DUTY ANGLE STOPS, WHEEL HANDLES, ESCUTCHEON AND FLEXIBLE COPPER RISER.
L-1	* LAVATORY ADA COMPLIANT	ELKAY ELU1511	STAINLESS STEEL	FAUCET: ZURN Z7443-FC AERATOR: 0.5 GPM VANDAL RESISTANT MIXING VALVE: ZURN ZW3870XLT (ASSE 1070) SUPPLY: McGUIRE #H165LKN3 DRAIN: McGUIRE #15WC-LO P-TRAP: McGUIRE #8872C	1/2"	1/2"	2"	1-1/2"	SINGLE LEVER FAUCET; SUPPLIES, STOPS AND COVERINGS ARE CONTRACTOR PROVIDED AND INSTALLED.
SK-1	* SERVICE SINK	ELKAY B1C24X24X	304 STAINLESS STEEL	FAUCET: ELKAY LK940AT08T4H AERATOR: 0.5 GPM SUPPLY: McGUIRE #H165LKN3 DRAIN: McGUIRE #15WC-LO P-TRAP: McGUIRE #8872C	1/2"	1/2"	2"	1-1/2"	STAINLESS STEEL SERVICE SINK WITH HEAVY DUTY FAUCET, DRAIN SUPPLIES, STOPS AND P-TRAP PROVIDED AND INSTALLED BY PLUMBING CONTRACTOR. COORDINATE HEAT TRAP INSTALLATION AROUND SUPPLY LINES SUBJECT TO FREEZING WEATHER BY PLUMBING CONTRACTOR.
YH-1	* YARD HYDRANT (SANITARY TYPE)	FREZEFLOW 2132S	GALVANIZED STEEL	BURY DEPTH: 2- FEET	3/4"	-	-	-	ASSE 1057 SANITARY YARD HYDRANT SUPPLIED WITH 1011 BACKFLOW PREVENTER, WAGON WHEEL HANDLE HOSE BIB AND PAULI 1/2" NPT DRAINING, NON-FRIZING TYPE. WRAP ALL POST YARD HYDRANTS BELOW GRADE WITH 1/2" EXPANSION JOINT MATERIAL.
MSK-1	* MOP SINK	FIAT MSB-2424-3	MOLDED STONE	FAUCET: T&S BRASS #B-0665-BSTP BRACKET: FIAT #B32-AA GUARD: FIAT #1239-BB MOP HANGER: FIAT #889-CC SPLASH PANEL: FIAT #MSG DRAIN GASKET: FIAT #QDC3XH	3/4"	3/4"	2"	2"	2 HANDLE MOP SINK - FLOOR MOUNTED - TWO HANDLE FAUCET AND GUARD AND SPRING CHECKS; MOP SINK AND FAUCET BY PLUMBING CONTRACTOR FOR INSTALLATION.
EW-1	* WATER COOLER ADA COMPLIANT	ELKAY EZSTL8C	VINYL CLAD CABINET	P-TRAP: 1-1/2" TRAP BY PLUMBING CONTRACTOR APRON: ELKAY LKAPREZL	--	2"	2"	1-1/2"	TWO LEVEL - WALL MOUNT WATER COOLER WITH BUILT-IN CHILLER; INSTALL APRON UNDER UPPER UNIT.

SCHEDULE NOTES:  
 \* ITEMS MARKED BY A SINGLE ASTERISK (\*) SHALL BE PROVIDED BY LOVES; CONTRACTOR INSTALLED. CONTRACTOR TO PROVIDE ALL ACCESSORIES THAT ARE REQUIRED FOR FULL INSTALLATION OF THESE PLUMBING FIXTURES (SUCH AS: INSULATION, ANGLE VALVES, P-TRAPS, ETC.).  
 ALL FLOOR DRAINS, FLOOR SINKS, AND ROOF DRAINS SHALL BE PROVIDED AND INSTALLED BY THE PLUMBING CONTRACTOR, SEE SPECIFICATIONS SECTION 221006.

### PUMP SCHEDULE

ID	MANUFACTURER AND MODEL NUMBER	TYPE	FLUID FLOW RATE (GPM)	WORKING FLUID	DISCHARGE PRESSURE (FT)	PUMP INLET (IN)	OUTLET (IN)	CONSTRUCTION	ELECTRICAL MOTOR SIZE (HP)	VOLT/PH	FULL LOAD AMPS (F.L.A.)	NOTES
SP-1	ZOELLER MIGHTY MATE 53	SUBMERSIBLE SUMP PUMP	10	OIL/WATER	15	-	1.5	CAST IRON	1/3	115/1	1.2	1-2
SP-2	ZOELLER MIGHTY MATE 53	SUBMERSIBLE SUMP PUMP	10	OIL/WATER	15	-	1.5	CAST IRON	1/3	115/1	1.2	1-2

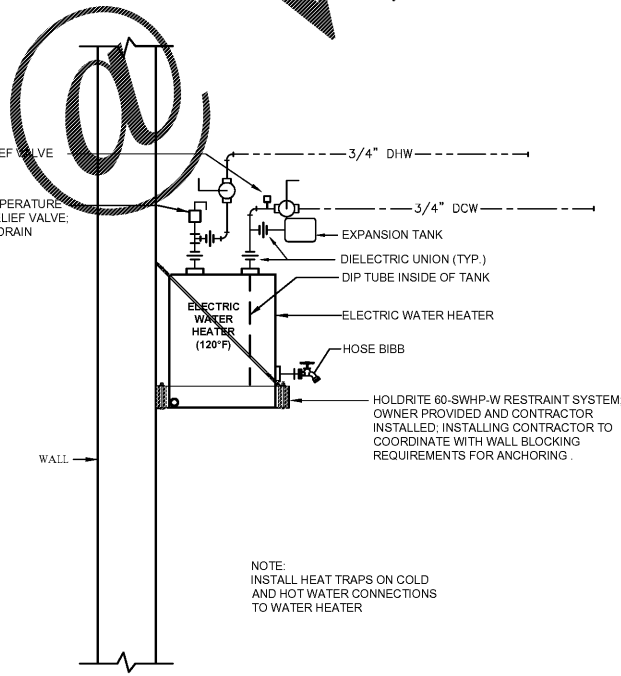
1. PROVIDE WITH DISCHARGE CHECK VALVE AND DECOUPLING UNION.
2. OWNER PROVIDED FOR INSTALLATION BY CONTRACTOR.

### WATER HEATER SCHEDULE

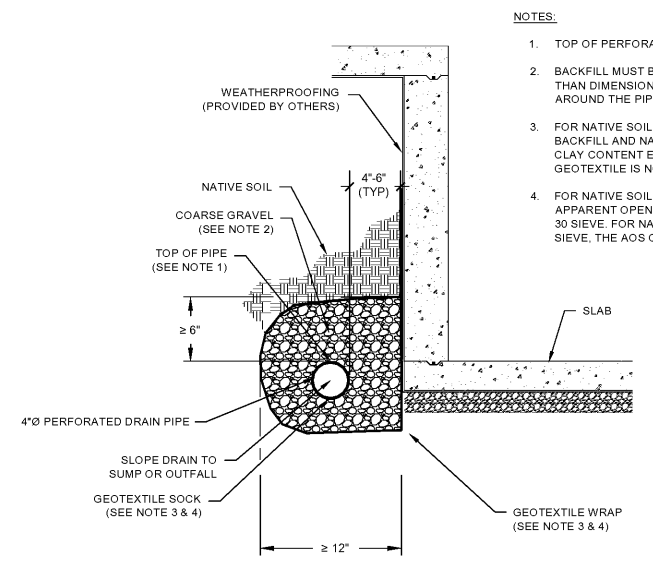
ID	MANUFACTURER AND MODEL NUMBER	TYPE	RECOVERY RATE 80° F DELTA T (GPH)	ELECTRICAL			PHYSICAL				NOTES
				(AMP)	VOLTS/PH	NUMBER OF ELEMENTS	INPUT (KW)	TANK SIZE (GAL)	FLUE SIZE (IN)	HEIGHT/ WIDTH (IN)	
DWH-1	BRADY WHITE LABEL 33-33-33-33-33-33	THERMO TOP ELEC. STORAGE	21	-	208/3	-	4.0	30	-	31 / 20	1 - 4

1. OWNER PROVIDED FOR CONTRACTOR INSTALLATION.
2. PROVIDE THERMAL EXPANSION TANK HAVING 0.2 GALLONS OF ACCEPTANCE VOLUME.
3. PROVIDE HEAT TRAP FITTINGS.
4. PROVIDE HOLDRITE 60-SHWP-W RESTRAINT SYSTEM.

Order Plans @



**1** WALL MOUNTED ELECTRIC WATER HEATER  
SCALE: NONE



**2** FOUNDATION & SUBSURFACE DRAIN INSTALLATION  
SCALE: NONE

- NOTES:
1. TOP OF PERFORATED PIPE MUST BE AT OR BELOW THE TOP OF FOOTING.
  2. BACKFILL MUST BE SIZED AT LEAST ONE SIEVE SIZE (ROCK SIZE) LARGER THAN DIMENSIONS OF PERFORATIONS. OTHERWISE A GEOTEXTILE WRAP AROUND THE PIPE IS REQUIRED.
  3. FOR NATIVE SOIL WITH HIGH SAND CONTENT, A GEOTEXTILE BETWEEN THE BACKFILL AND NATIVE SOIL SHOULD BE USED. FOR NATIVE SOIL WHERE THE CLAY CONTENT EXCEEDS 50% OR THE SILT CONTENT EXCEEDS 40%, A GEOTEXTILE IS NOT REQUIRED AROUND THE PIPE.
  4. FOR NATIVE SOIL WITH LESS THAN 50% PASSING THE NO. 200 SIEVE, THE APPARENT OPENING SIZE (AOS) OF THE FABRIC SHOULD BE AT LEAST A NO. 30 SIEVE. FOR NATIVE SOIL WITH MORE THAN 50% PASSING THE NO. 200 SIEVE, THE AOS OF THE FABRIC SHOULD BE AT LEAST A NO. 50 SIEVE.