

Pascal Aughtry & Associates, PC

405.463.3494
Fax: 405.463.3493
937 East Britton Road
Oklahoma City, OK 73114
pascalarch.com



May 22 2018 3:14 PM

A NEW TRAVEL STOP
STORE NO. 735
CALHOUN, GA



Revisions:	
No.	Date

Project No.: LVS - 18735
Date: 05-22-18
Sheet No.:

YP3.1

OF:

Building Air Compressor/Dryer
 Brand Description Model
 Champion Compressor HRA-15-12
 Champion Dryer CRN50

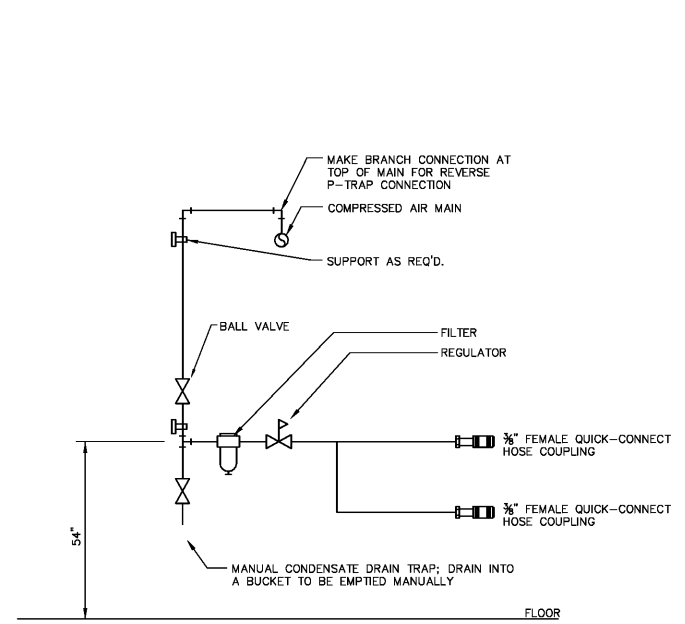
Contact Info:
 VSA Inc
 Stephen Bethea
 214.543.6771
 sbethea@centurytel.net

Air Fittings
 (8) - 3/8" quick couplings
 (9) - Filter
 (7) - Regulator
 (7) - Lubricator
 (32) - Ball valves
 (3) - 1/2" air Reel
 (3) - 3/8" Air Reel
 (2) - Tufty I-25 (supplied by Tufty)

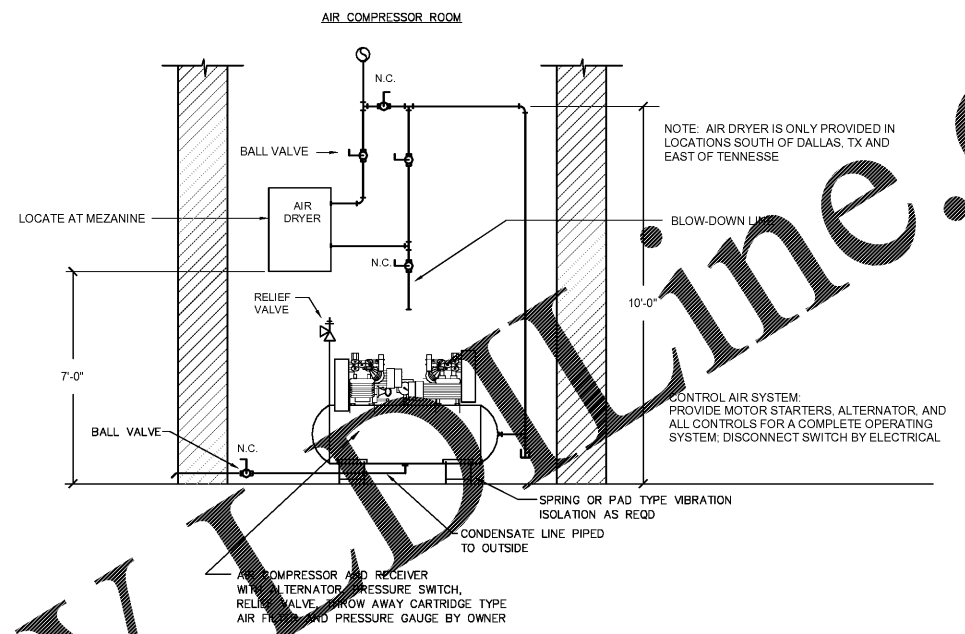
REFER TO DETAILED EQUIPMENT LIST ON ARCHITECTURAL SCHEDULES FOR A COMPLETE LIST OF ALL EQUIPMENT PROVIDED

Contact
 Wesbrooks
 Mike Grauerholz
 800.772.0863
 mikegrauerholz@sbcglobal.net

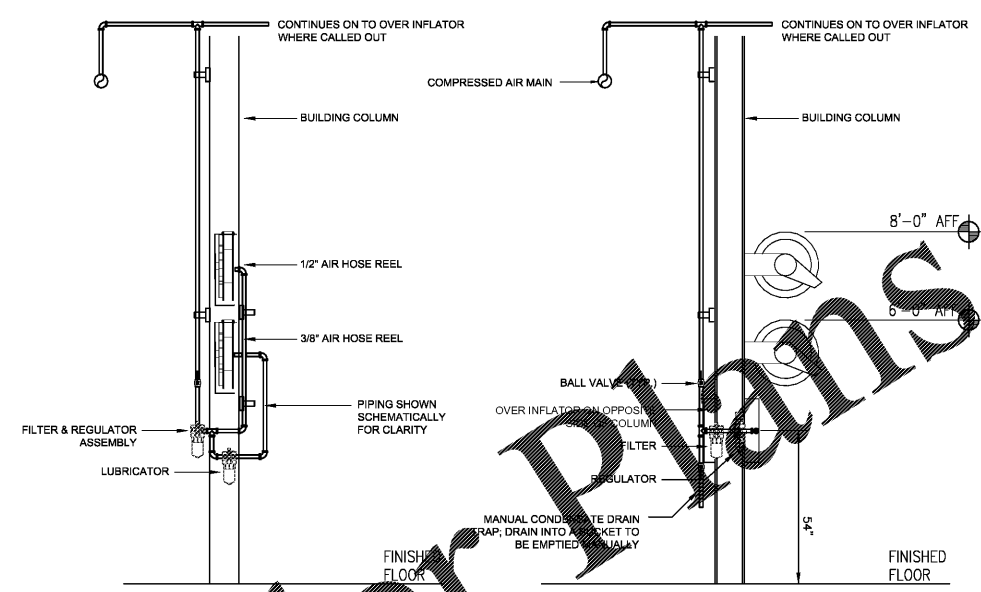
1 OWNER SUPPLIED ITEM LIST
SCALE: NONE



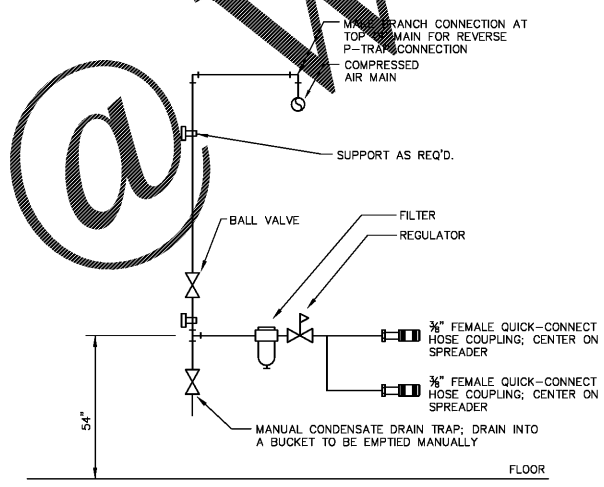
2 ELEVATION AT TIRE BALANCER
SCALE: NONE



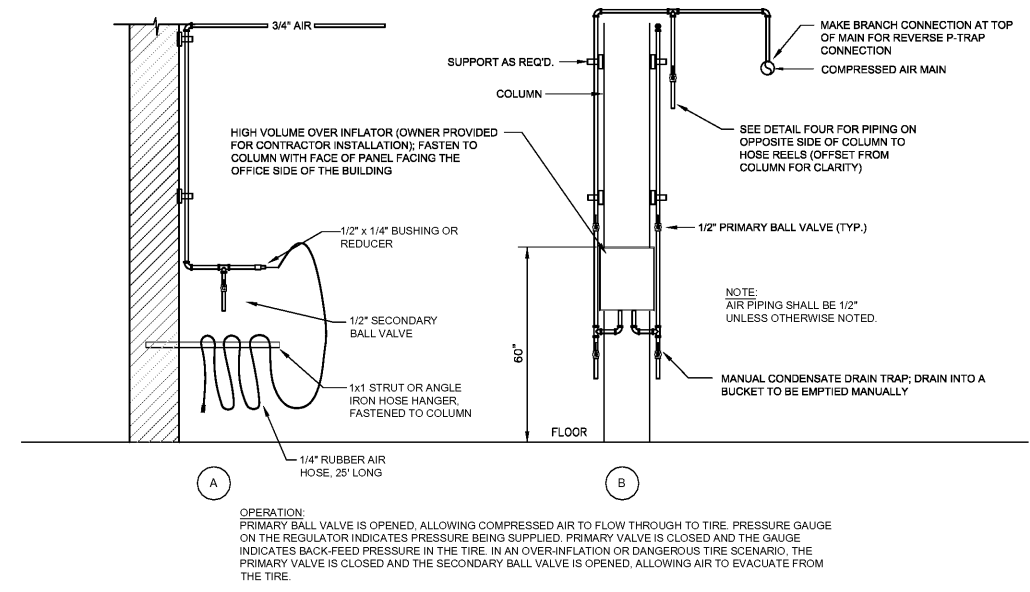
3 ELEVATION AT AIR COMPRESSOR
SCALE: NONE



4 ELEVATION AT AIR REELS
SCALE: NONE



5 ELEVATION AT TIRE SPREADER
SCALE: NONE



6 ELEVATION AT REMOTE INFLATION STATION
SCALE: NONE

Order Plans