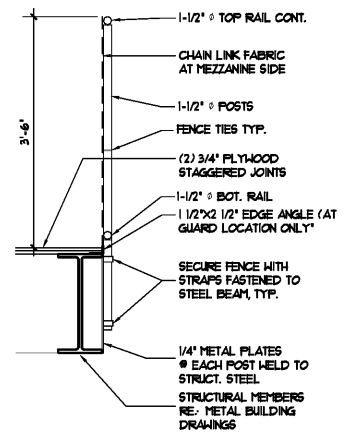
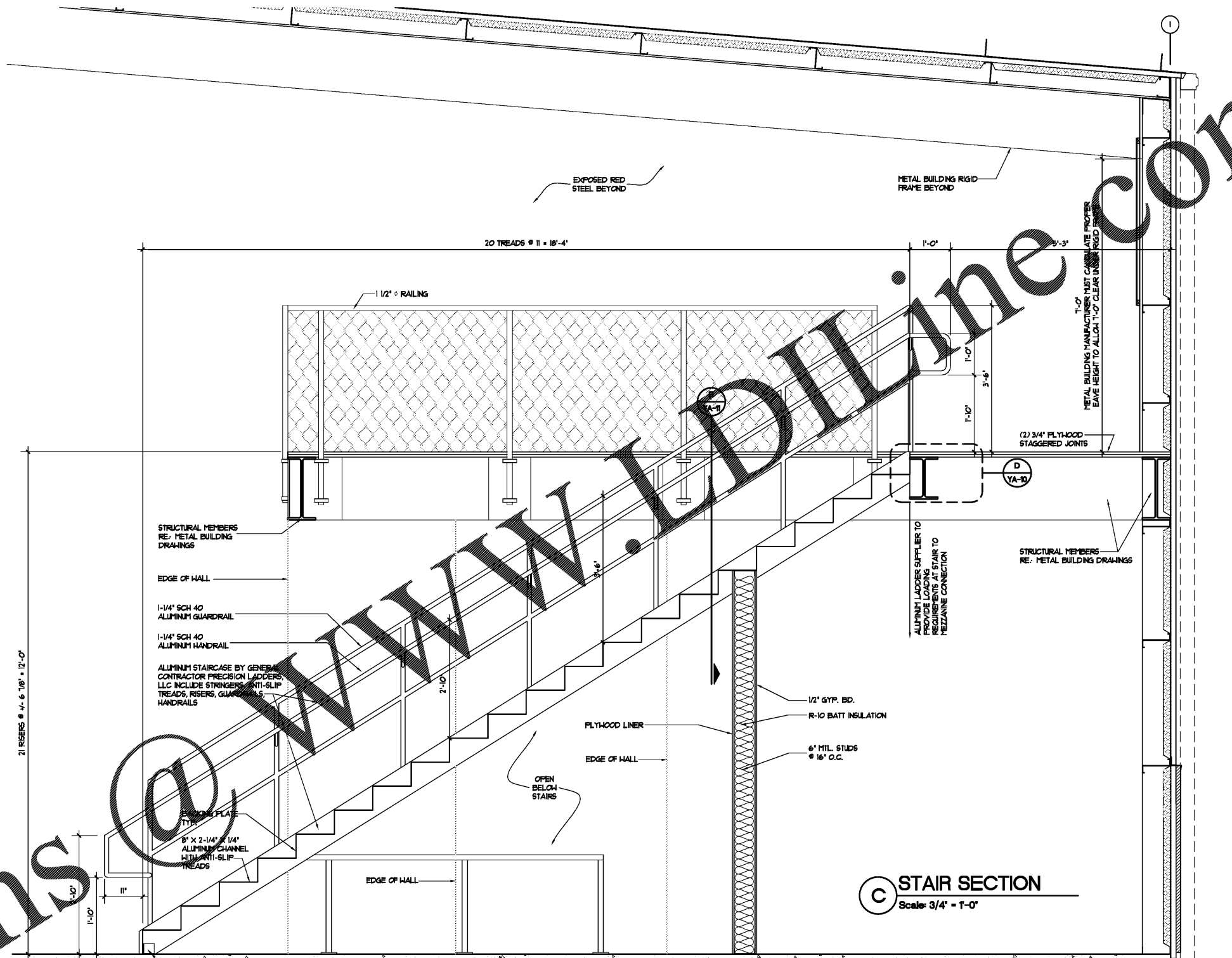


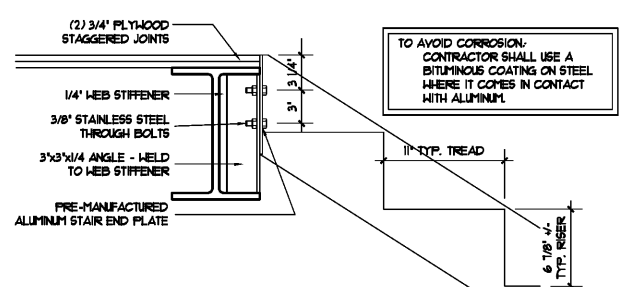
**A WALL SECTION**  
Scale: 3/4" = 1'-0"



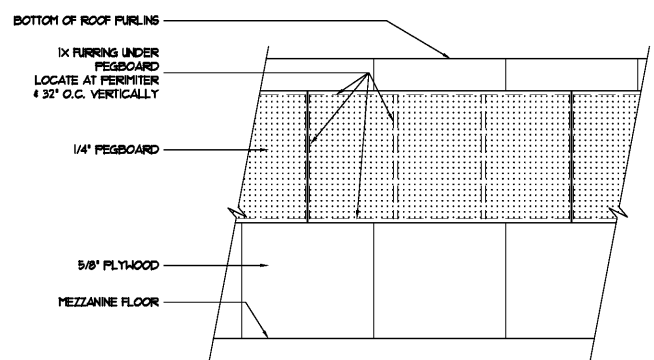
**B MEZZANINE SECTION**  
Scale: 3/4" = 1'-0"



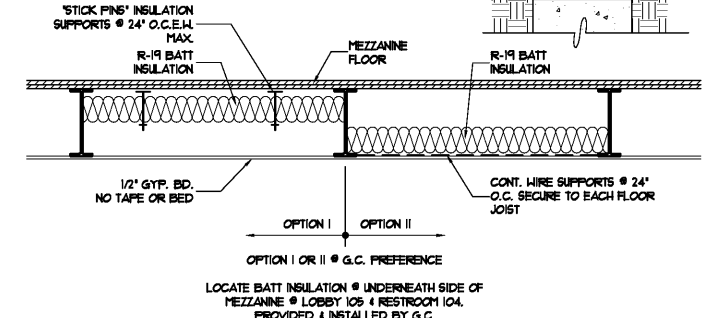
**C STAIR SECTION**  
Scale: 3/4" = 1'-0"



**D STAIR DETAIL**  
Scale: 1 1/2" = 1'-0"



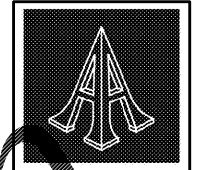
**E MEZZANINE ELEVATION**  
Scale: 3/8" = 1'-0"



**F INSULATION DETAIL**  
Scale: 3/4" = 1'-0"

Order Plans @

WWW.LDLINE.COM



Pascal Aughtry & Associates, PC

405.463.3494  
Fax 405.463.3493  
837 East Bolton Road  
Oklahoma City, OK 73114  
pascal@ahpc.com



A NEW TRAVEL STOP  
STORE NO. 735  
CALHOUN, GA



Revisions:	
No.	Date

Project No.: LVS18735  
Date: 05-22-18  
Sheet No.:

**YA-10**  
OF 18