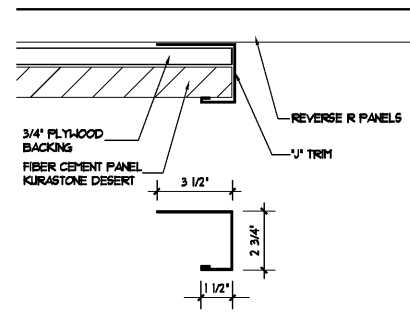
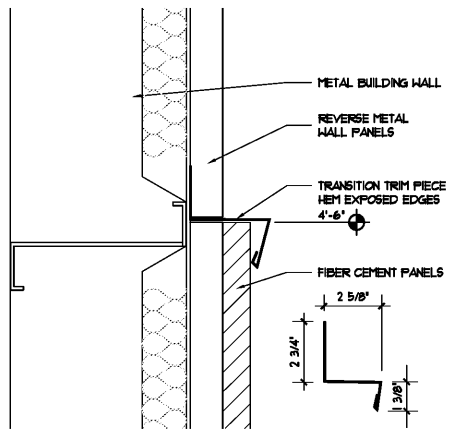


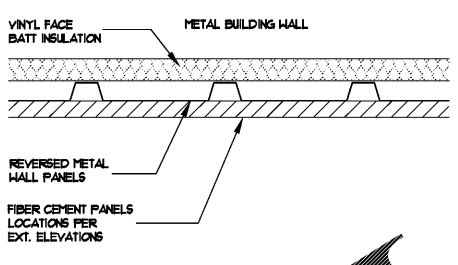
A VERTICAL PANEL TRANSITION DETAIL
Scale: 3" = 1'-0"



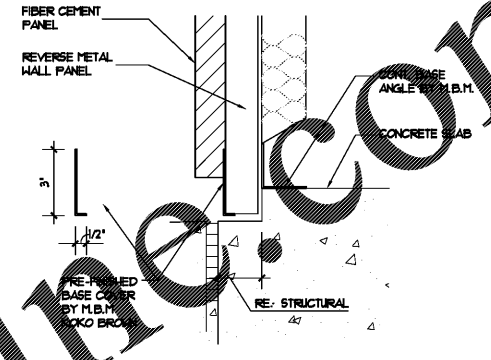
B VERTICAL PANEL TRANSITION DETAIL
Scale: 3" = 1'-0"



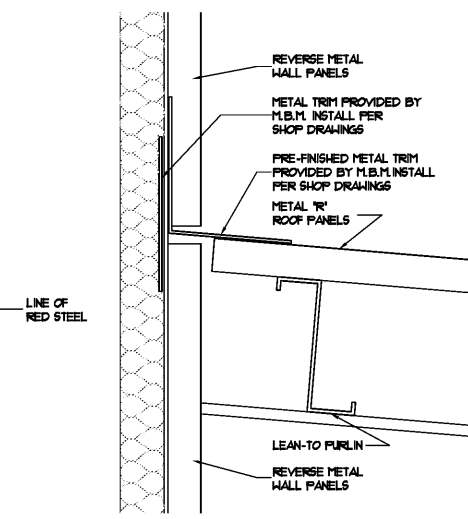
C HORIZONTAL PANEL TRANSITION DETAIL
Scale: 3" = 1'-0"



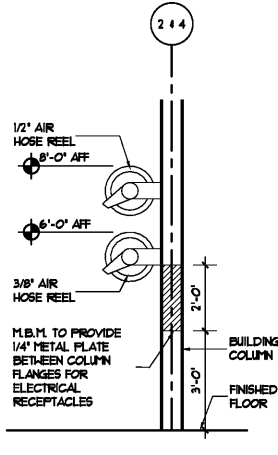
D REVERSED METAL WALL PANEL DETAIL
Scale: 1-1/2" = 1'-0"



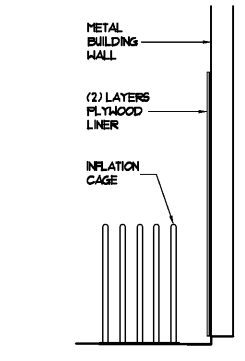
E BASE TRIM DETAIL
Scale: 3" = 1'-0"



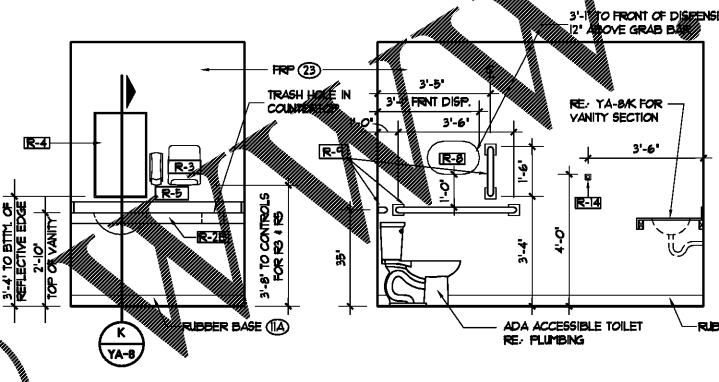
F TRIM DETAIL
Scale: 3" = 1'-0"



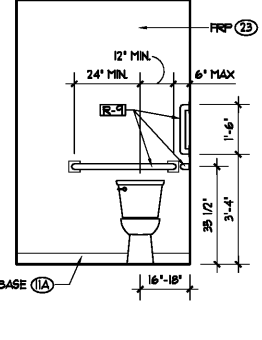
G AIR REELS & COLUMNS
Scale: 3/8" = 1'-0"



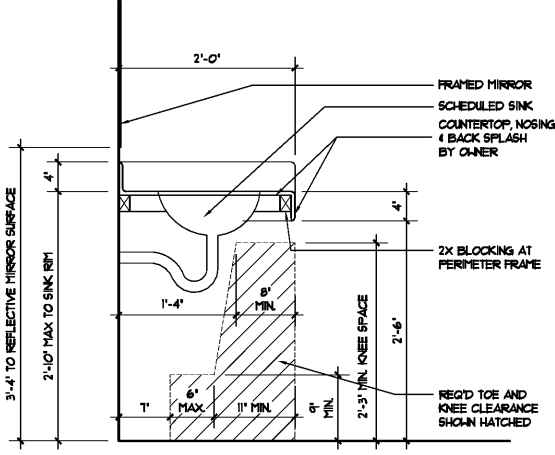
H INFLATION CAGE ELEVATION
Scale: 3/8" = 1'-0"



J RESTROOM ELEVATION
Scale: 3/8" = 1'-0"

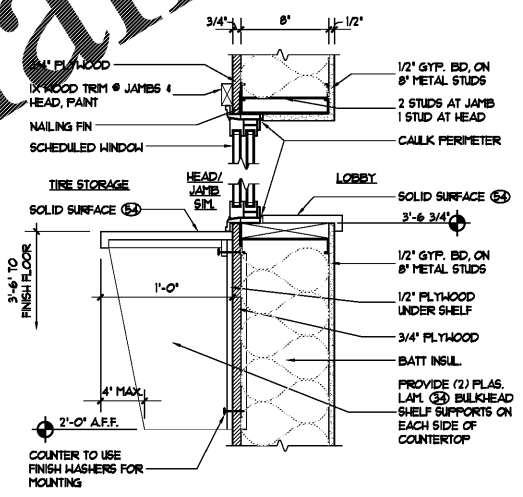


J3 RESTROOM ELEVATION
Scale: 3/8" = 1'-0"



K VANITY SECTION
Scale: 1" = 1'-0"

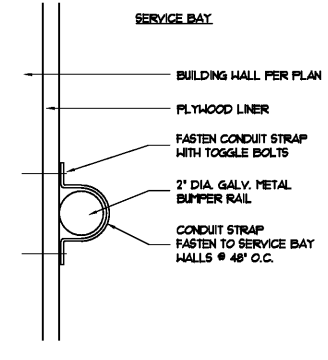
RESTROOM EQUIPMENT SCHEDULE				
EQUIPMENT SCHEDULE & MECHANICAL REQUIREMENTS				
ITEM	DESCRIPTION	MODEL	SUPPLIER/INSTALLER	REMARKS
R2B	RESTROOM LAVATORIES	CUSTOM SOLID SURFACE VANITY (S4)	OWNER G.C.	Faucet, hook, etc. BY PLUMBER
R3	PAPER TOWEL DISPENSER	SAN JAMAR OCEANS - TEAR-N-DRY - T1390	OWNER G.C.	MOUNT BOTTOM OF DISPENSER PER ELEVATIONS RE: YE-3.1 FOR ELECTRICAL REQUIREMENTS
R4	1/4" PLATE MIRROR 18"x36"	ASI 0620A	OWNER G.C.	BOTTOM REFLECT. EDGE 4" AFF MAX.
R5	SOAP DISPENSER	GOJO INDUSTRIES, INC. - ADX12	OWNER G.C.	
R8	TOILET PAPER DISPENSER	R 4000 TBK MOUNT PER INT. ELEVATIONS	OWNER G.C.	
R9	GRAB BARS	ASI 3101-18" 24" 36" & 42"	OWNER G.C.	
R14	COAT HOOK	ASI 1340	OWNER G.C.	
R30	HOP RACK	ASI 8215A	OWNER G.C.	



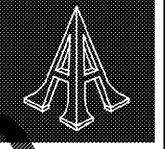
L WINDOW SECTION
Scale: 3" = 1'-0"

M NOT USED
Scale:

N NOT USED
Scale:



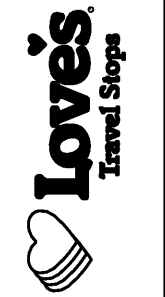
P BUMPER RAIL DETAIL
Scale: 3" = 1'-0"



Pascal Aughtry & Associates, PC
405.463.3494
Fax: 405.463.3493
937 East Britton Road
Oklahoma City, OK 73114
pascalaughtry.com



A NEW TRAVEL STOP
STORE No. 735
CALHOUN, GA



Revisions:	
No.	Date

Project No.: LVS18735
Date: 05-22-18
Sheet No.:

YA-8
OF 18