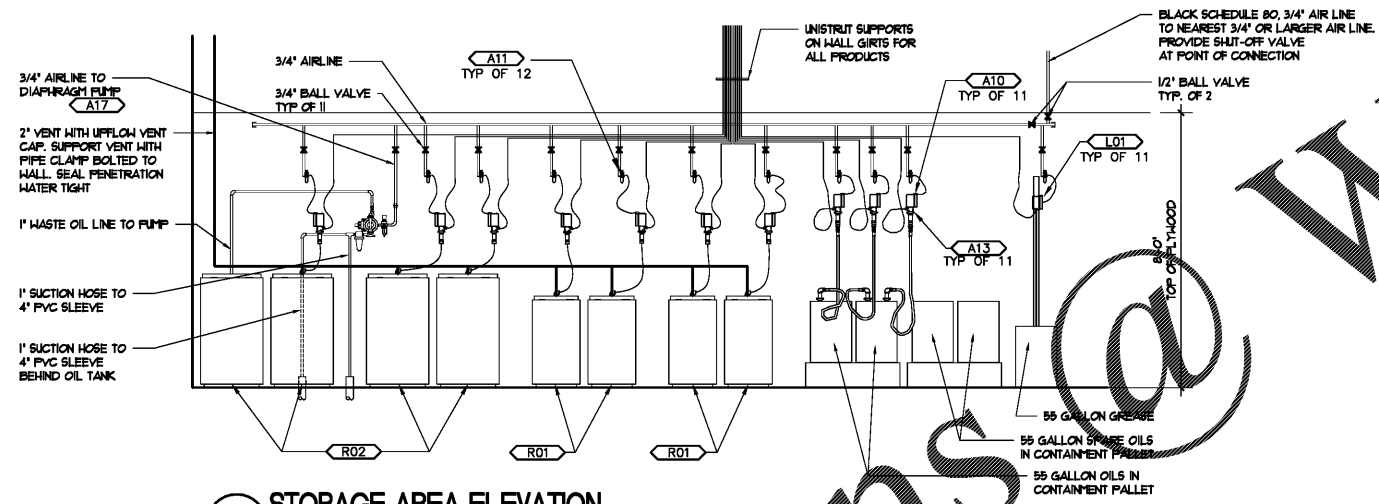
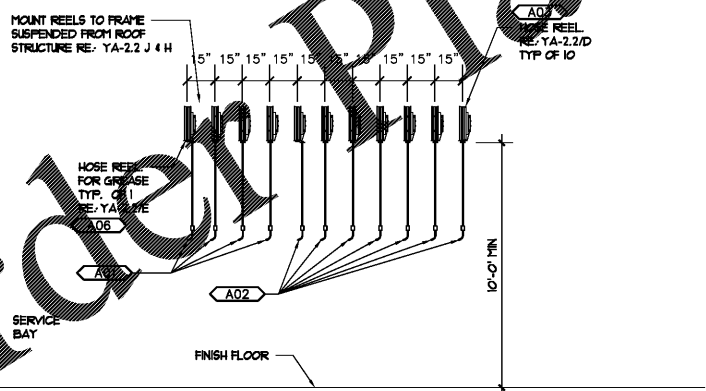


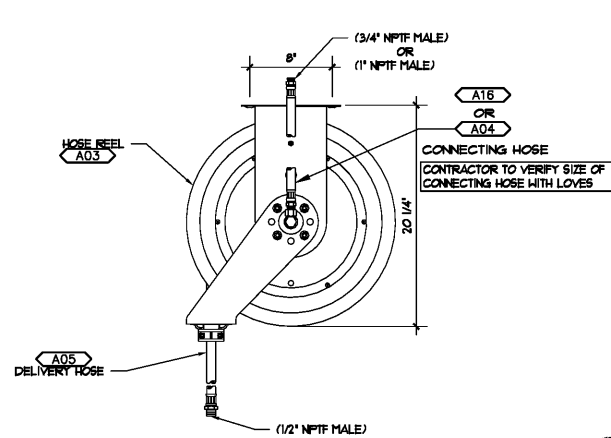
A STORAGE AREA RISER
SCALE: NOT TO SCALE



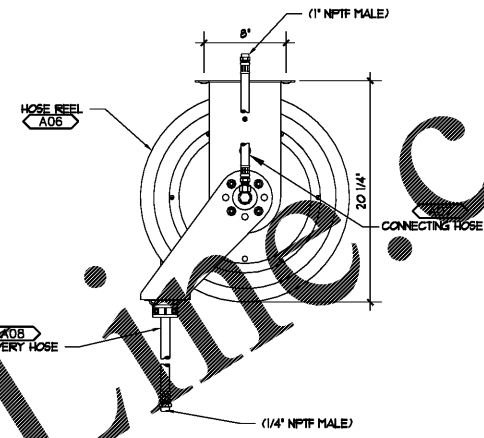
B STORAGE AREA ELEVATION
SCALE: 1/4" = 1'-0"



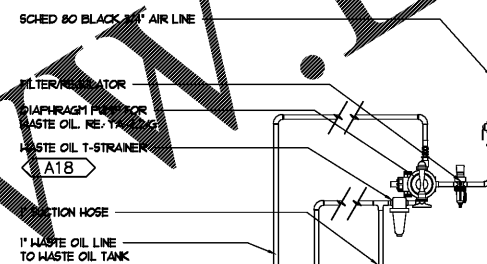
C HOSE REEL ELEVATION
SCALE: 1/4" = 1'-0"



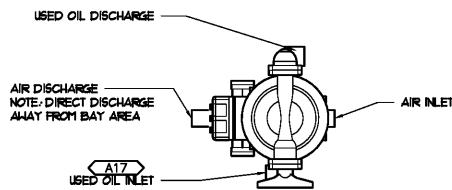
D HOSE REELS
SCALE: NOT TO SCALE



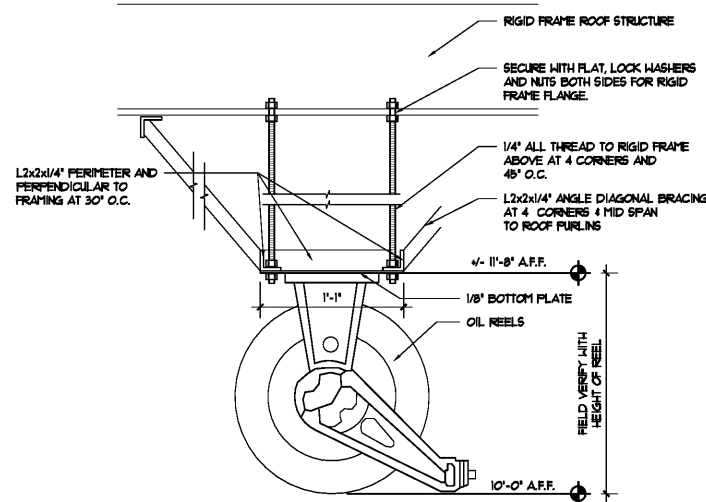
E GREASE REEL
SCALE: NOT TO SCALE



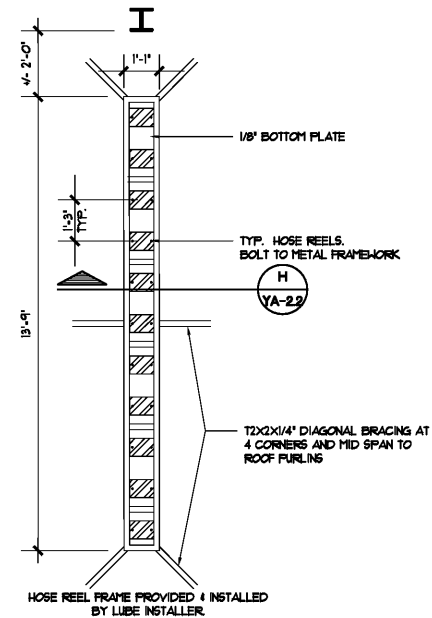
F DIAPHRAGM PUMP PIPING PLAN
SCALE: NOT TO SCALE



G DIAPHRAGM PUMP DETAIL
SCALE: NOT TO SCALE

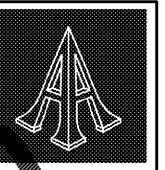


H HOSE REEL FRAME SECTION
SCALE: 1-1/2" = 1'-0"



J HOSE REEL FRAME PLAN
SCALE: 3/8" = 1'-0"

Order Plans @ WWW.LDILLINE.COM

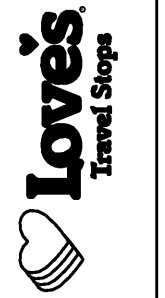


Pascal Aughtry & Associates, PC

405.463.3494
Fax 405.463.3493
837 East Bolton Road
Oklahoma City, OK 73114
pascal@earthlink.net



A NEW TRAVEL STOP
STORE NO. 735
CALHOUN, GA



Revisions:	
No.	Date

Project No.: LVS18735
Date: 05-22-18

Sheet No.:

YA-2.2

OF: 18

