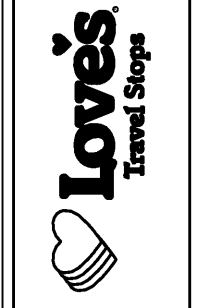


Pascal Aughtry & Associates, PC

405.463.3494  
Fax 405.463.3493  
837 East Bilton Road  
Oklahoma City, OK 73114  
pascal@pcan.com



A NEW TRAVEL STOP  
STORE NO. 735  
CALHOUN, GA

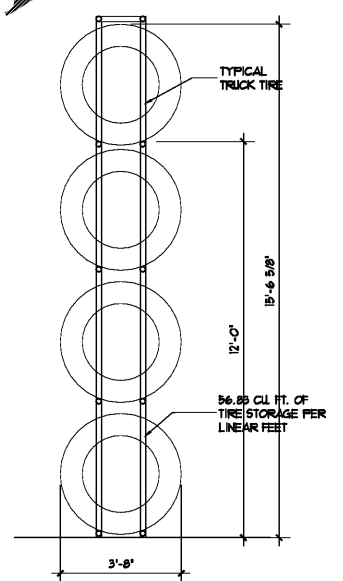
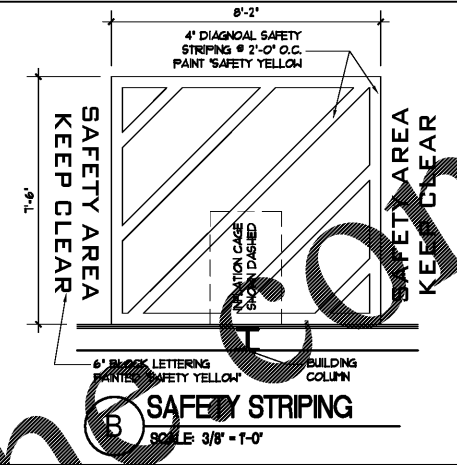


Revisions:	
No.	Date

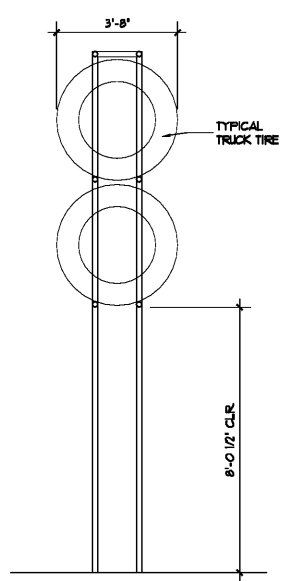
Project No.: LVS18735  
Date: 05-22-18  
Sheet No.:

**YA-2**

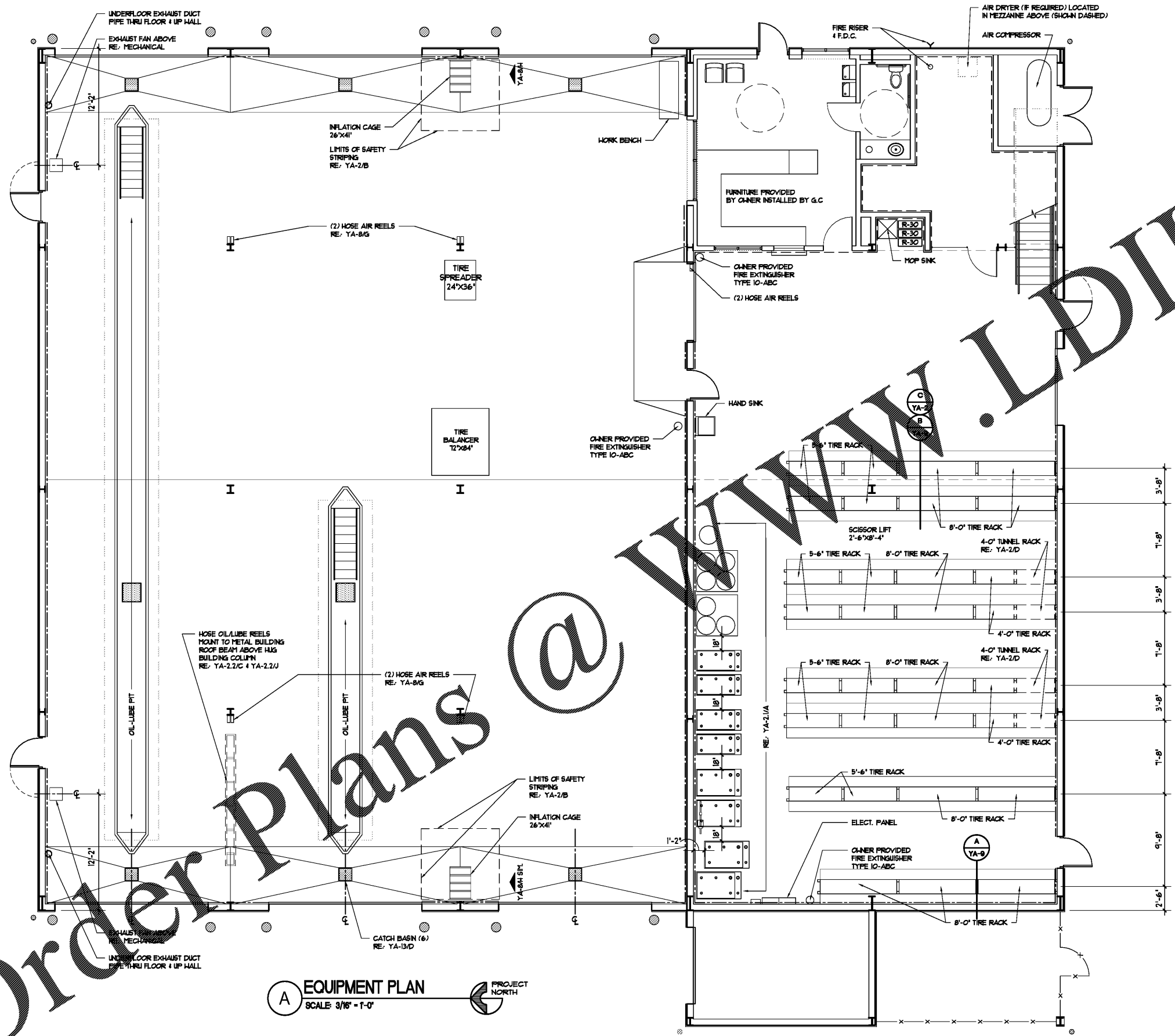
OF: 18



**TIRE RACK SECTION**  
SCALE: 3/8" = 1'-0"



**TUNNEL RACK SECTION**  
SCALE: 3/8" = 1'-0"



**EQUIPMENT PLAN**  
SCALE: 3/16" = 1'-0"



Order Plans @ [www.lpdilinc.com](http://www.lpdilinc.com)