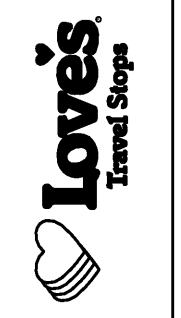


Pascal Aughtry & Associates, PC

405.463.3494
 Fax 405.463.3493
 837 East Bilton Road
 Oklahoma City, OK 73114
 pascala@ahc.com



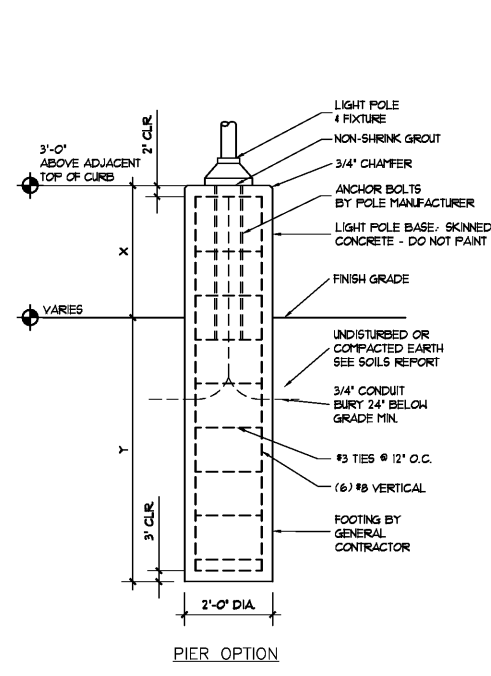
A NEW TRAVEL STOP
 STORE NO. 735
 CALHOUN, GA



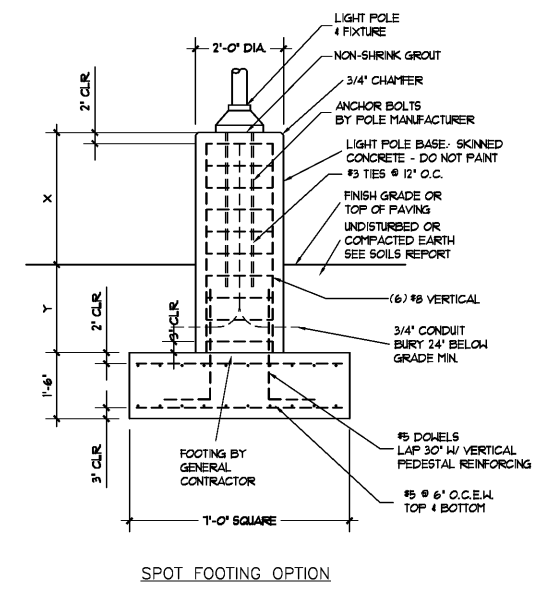
Revisions:	
No.	Date

Project No.: LVS18735
 Date: 05-22-18

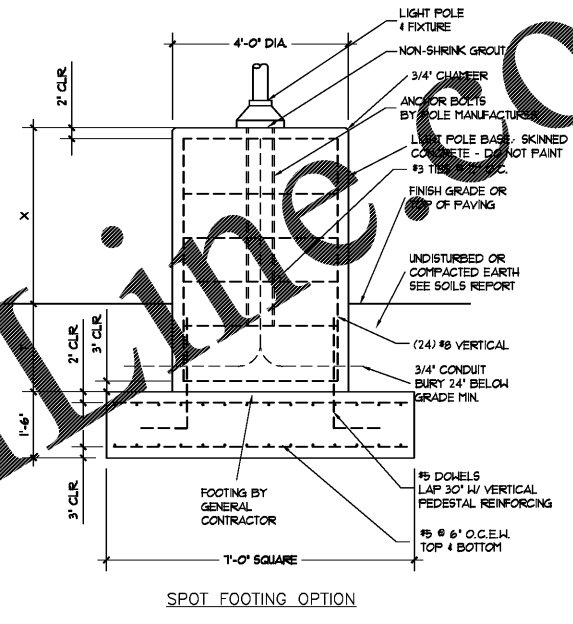
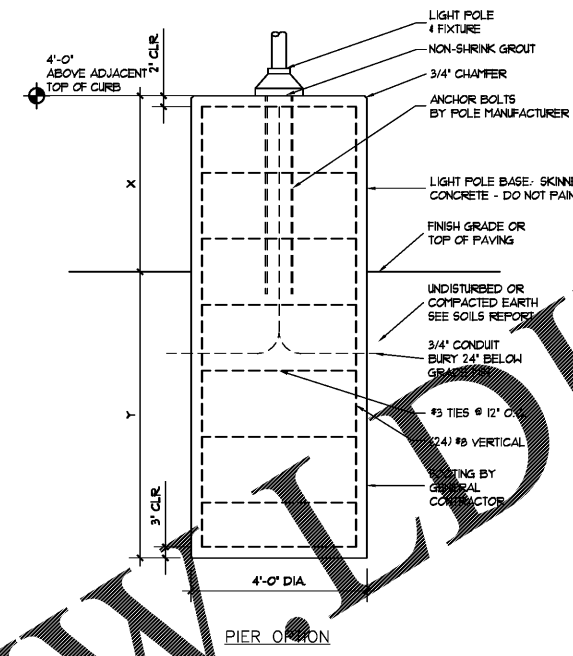
Sheet No.:
SP-8



A LIGHT POLE FOUNDATION
 SCALE: 1/2" = 1'-0"



B 4" DIAMETER LIGHT POLE FOUNDATION
 SCALE: 1/2" = 1'-0"



SITE LIGHTING PIER SCHEDULE

HEIGHT ABOVE ADJACENT TOP OF CURB	DEPTH BELOW GRADE	REINFORCING
X 3'-0" TO 4'-0"	Y 6'-0"	(6) #8 VERTICALS
X 4'-1" TO 5'-0"	Y 6'-8"	(6) #8 VERTICALS
X 5'-1" TO 6'-0"	Y 7'-0"	(6) #8 VERTICALS
X 6'-1" TO 7'-0"	Y 7'-6"	(6) #8 VERTICALS
X 7'-1" TO 8'-0"	Y 8'-0"	(6) #8 VERTICALS
X 8'-1" TO 9'-0"	Y 8'-6"	(6) #8 VERTICALS
X 9'-1" TO 10'-0"	Y 8'-6"	(6) #8 VERTICALS

PROVIDE #3 TIES @ 12" O.C. ON EACH PIER

SITE LIGHTING SPOT FOOTING SCHEDULE

HEIGHT ABOVE ADJACENT TOP OF CURB	DEPTH BELOW GRADE	REINFORCING
X 3'-0" TO 4'-0"	Y 2'-0"	#5 @ 6" O.C.E.H. TOP & BOTTOM
X 4'-1" TO 5'-0"	Y 2'-0"	#5 @ 6" O.C.E.H. TOP & BOTTOM
X 5'-1" TO 6'-0"	Y 2'-0"	#5 @ 6" O.C.E.H. TOP & BOTTOM
X 6'-1" TO 7'-0"	Y 2'-0"	#5 @ 6" O.C.E.H. TOP & BOTTOM
X 7'-1" TO 8'-0"	Y 2'-0"	#5 @ 6" O.C.E.H. TOP & BOTTOM
X 8'-1" TO 9'-0"	Y 2'-0"	#5 @ 6" O.C.E.H. TOP & BOTTOM
X 9'-1" TO 10'-0"	Y 2'-0"	#5 @ 6" O.C.E.H. TOP & BOTTOM

PROVIDE #3 TIES @ 12" O.C. ON EACH BASE

SITE LIGHTING PIER SCHEDULE

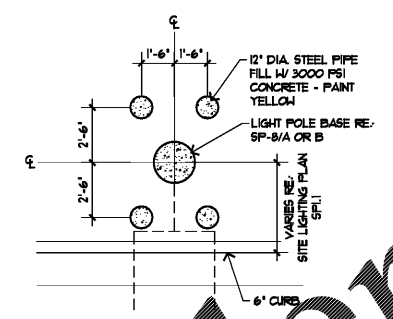
HEIGHT ABOVE ADJACENT TOP OF CURB	DEPTH BELOW GRADE	REINFORCING
X 4'-0" TO 5'-0"	Y 6'-8"	(24) #8 VERTICALS
X 5'-1" TO 6'-0"	Y 7'-0"	(24) #8 VERTICALS
X 6'-1" TO 7'-0"	Y 7'-6"	(24) #8 VERTICALS
X 7'-1" TO 8'-0"	Y 8'-0"	(24) #8 VERTICALS
X 8'-1" TO 9'-0"	Y 8'-6"	(24) #8 VERTICALS
X 9'-1" TO 10'-0"	Y 8'-6"	(24) #8 VERTICALS

PROVIDE #3 TIES @ 12" O.C. ON EACH PIER

SITE LIGHTING SPOT FOOTING SCHEDULE

HEIGHT ABOVE ADJACENT TOP OF CURB	DEPTH BELOW GRADE	REINFORCING
X 4'-0" TO 5'-0"	Y 2'-0"	#5 @ 6" O.C.E.H. TOP & BOTTOM
X 5'-1" TO 6'-0"	Y 2'-0"	#5 @ 6" O.C.E.H. TOP & BOTTOM
X 6'-1" TO 7'-0"	Y 2'-0"	#5 @ 6" O.C.E.H. TOP & BOTTOM
X 7'-1" TO 8'-0"	Y 2'-0"	#5 @ 6" O.C.E.H. TOP & BOTTOM
X 8'-1" TO 9'-0"	Y 2'-0"	#5 @ 6" O.C.E.H. TOP & BOTTOM
X 9'-1" TO 10'-0"	Y 2'-0"	#5 @ 6" O.C.E.H. TOP & BOTTOM

PROVIDE #3 TIES @ 12" O.C. ON EACH BASE



C LIGHT POLE BOLLARD DETAIL
 SCALE: 1/4" = 1'-0"

Order Plans