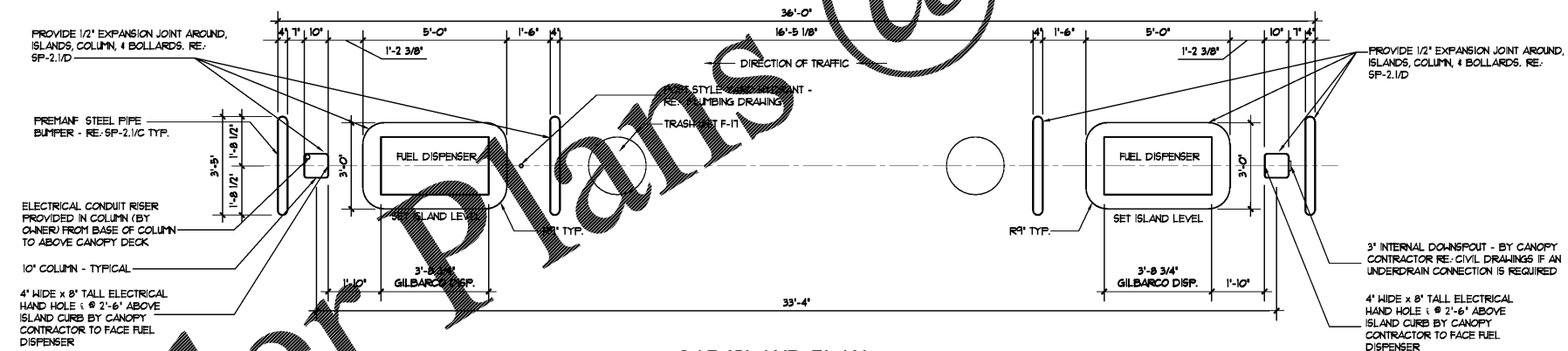
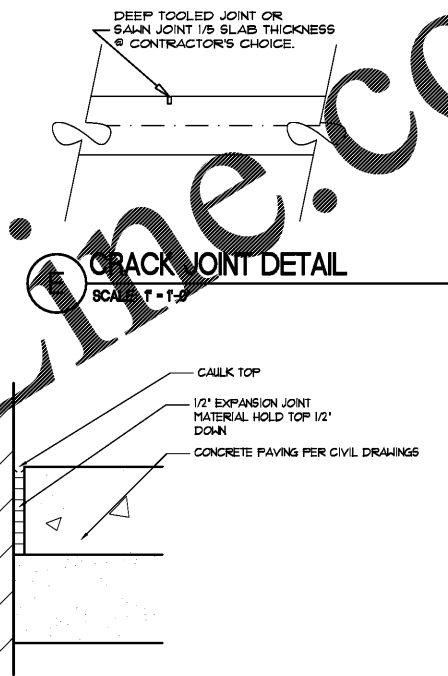


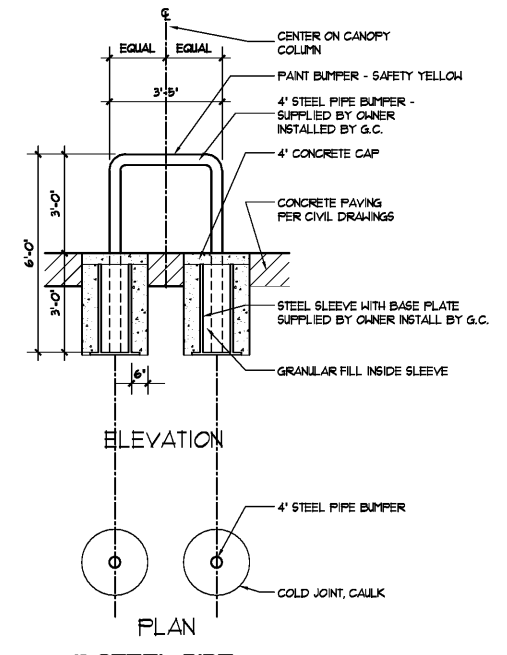
A CAR ISLAND ELEVATION
SCALE: 3/8" = 1'-0"



B CAR ISLAND PLAN
SCALE: 3/8" = 1'-0"

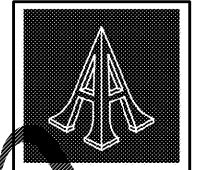


D EXP. JOINT DETAIL
SCALE: 3" = 1'-0"



C 4' STEEL PIPE BUMPER ELEVATION
SCALE: 3/8" = 1'-0"

Order Plans @



Pascal Aughtry & Associates, PC

405.463.3494
Fax 405.463.3493

837 East Bilton Road
Oklahoma City, OK 73114
pascal@pca.com



A NEW TRAVEL STOP
STORE NO. 735
CALHOUN, GA

Loves
Travel Stops

Revisions:	
No.	Date

Project No.: LVS18735
Date: 05-22-18
Sheet No.: **SP-2.1**
OF: 14