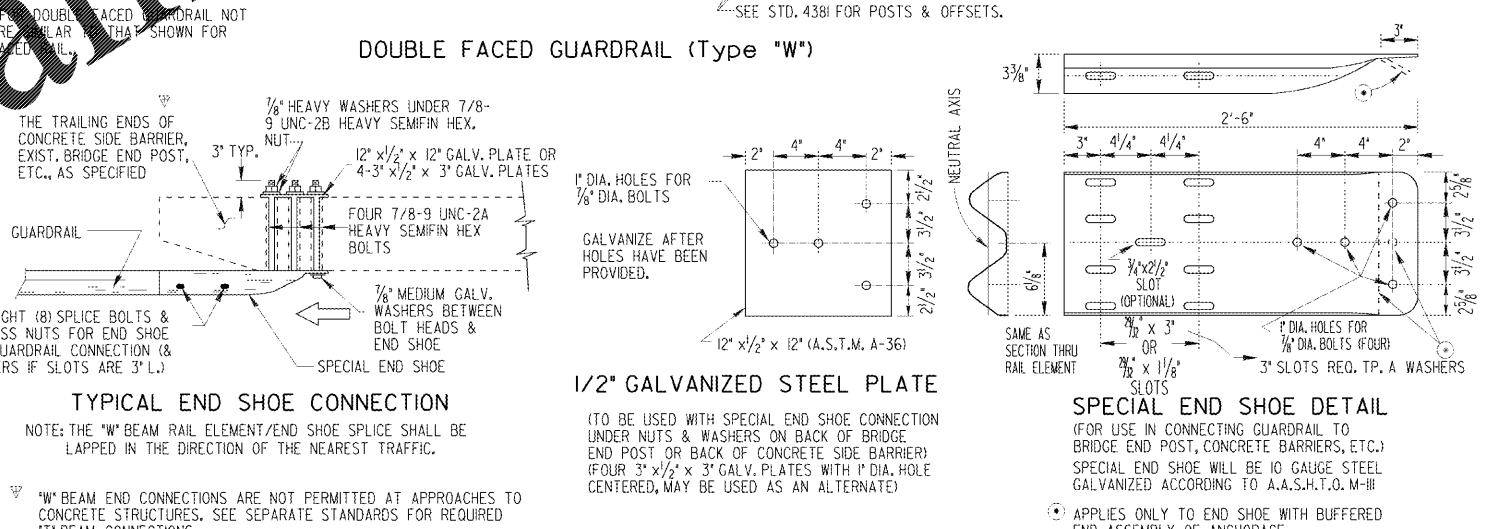
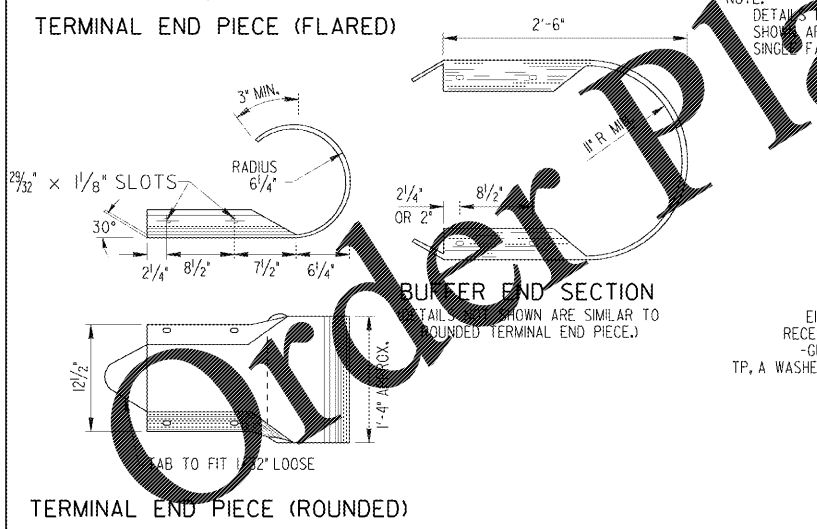
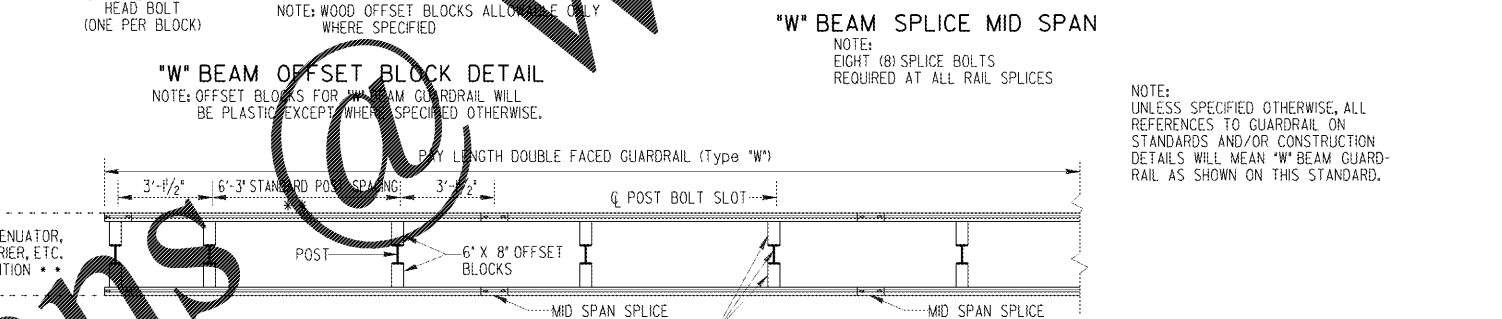
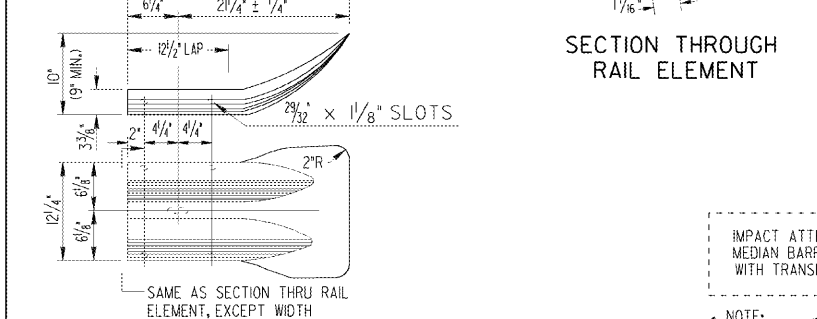
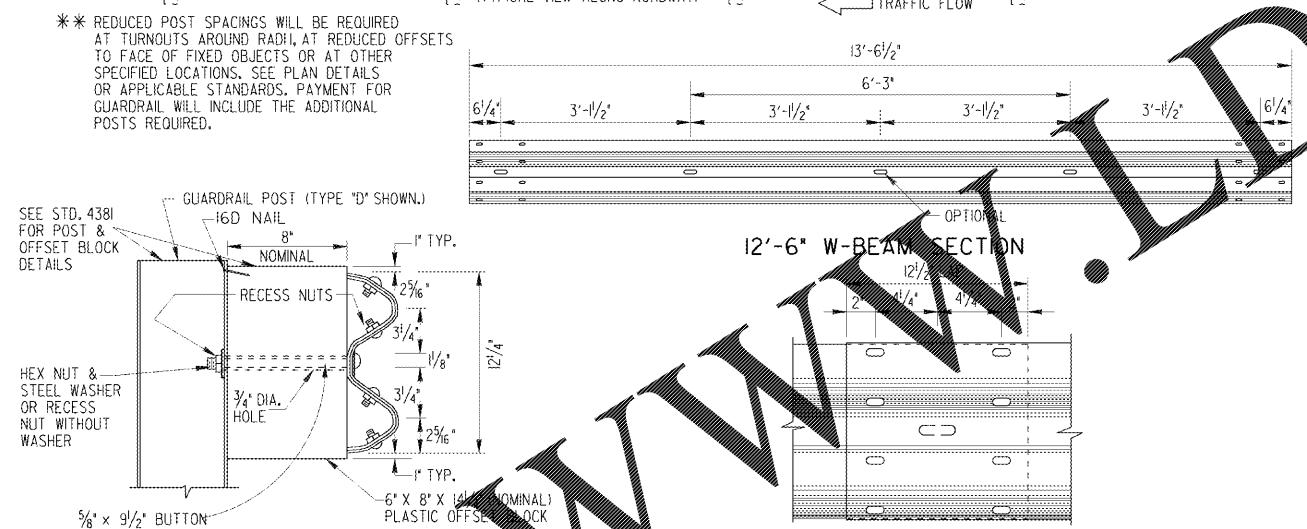
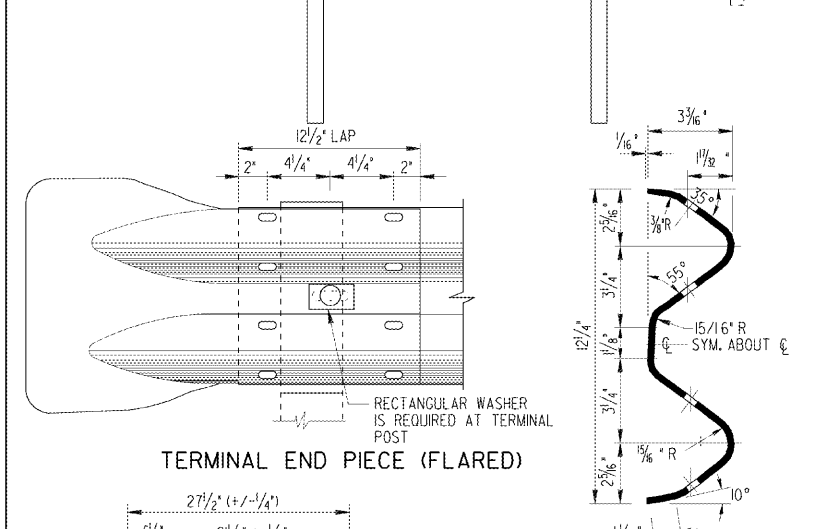
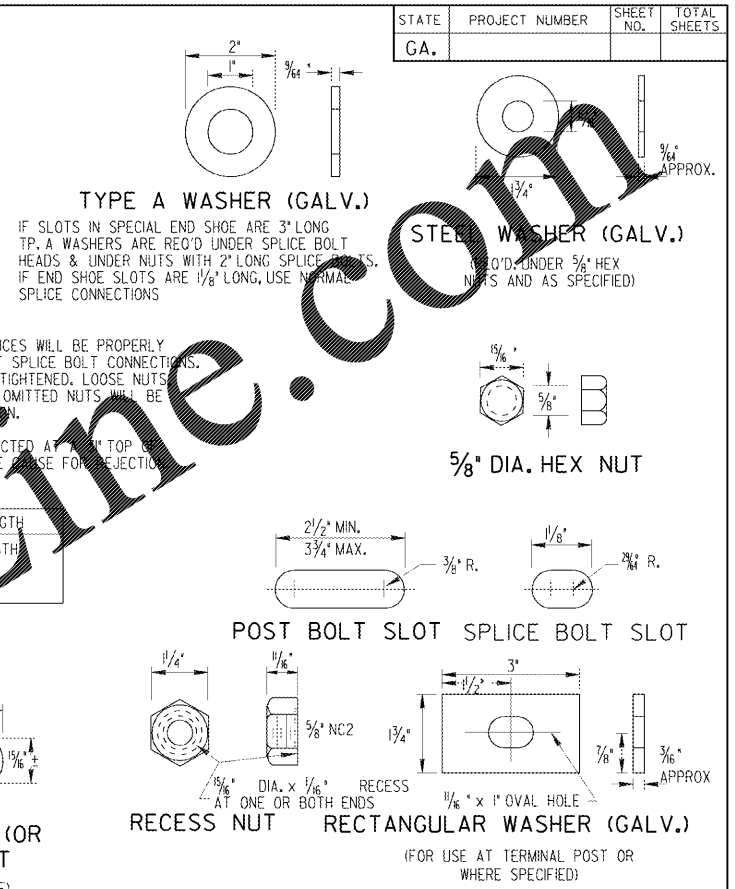
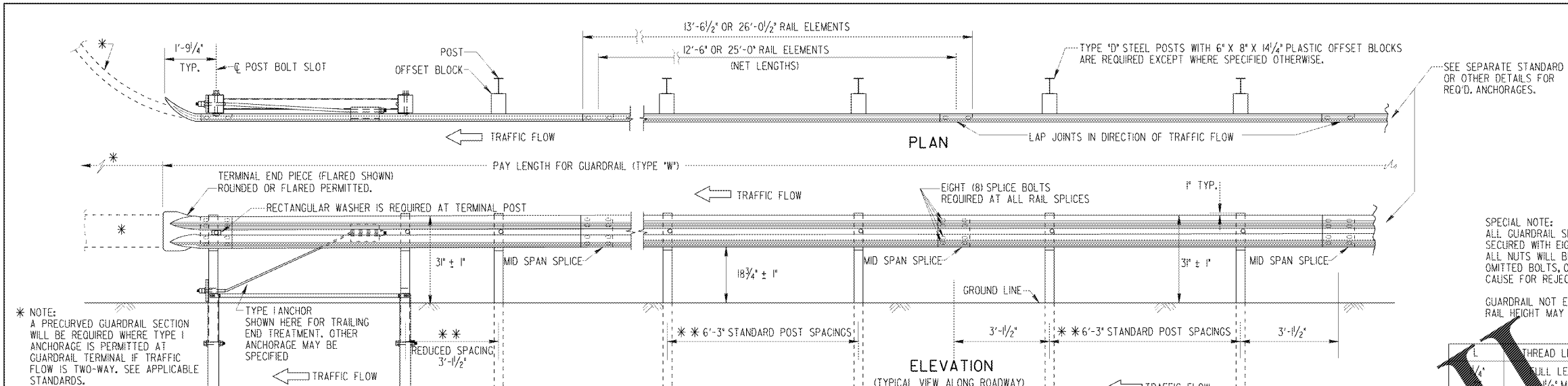


STATE	PROJECT NUMBER	SHEET NO.	TOTAL SHEETS
GA.			



- GENERAL NOTES:**
- SPECIFICATIONS: GEORGIA STANDARD CURRENT EDITION, AND SUPPLEMENTS THERETO.
 - NUTS, BOLTS, WASHERS, RAIL, TERMINAL SECTIONS, END SHOES, BACK-UP PLATES, END SECTIONS AND OTHER GUARDRAIL HARDWARE ARE IN ACCORDANCE WITH THE CURRENT ARTBA TECHNICAL BULLETIN NO. 268 ... UNLESS SPECIFIED OTHERWISE. DIMENSIONS FOR POSTS AND OFFSET BLOCKS WILL BE ACCORDING TO GA. STANDARD 4381.
 - FOR DETAILS OF GUARDRAIL ANCHORAGES, SEE APPLICABLE STANDARDS AND/OR CONSTRUCTION DETAILS.
 - FOR LOCATION OF GUARDRAIL SEE APPLICABLE LOCATION STANDARDS.
 - ALL STEEL HARDWARE COMPONENTS WILL BE CALVANIZED AFTER FABRI-CATION. GALVANIZING REPAIR COMPOUND (SEC. 645) WILL BE FIELD APPLIED TO ANY COATINGS DAMAGED.
 - WHEN GUARDRAIL IS REQUIRED ON CURVES WITH RADII LESS THAN 150', PRECURVED RAIL WILL BE REQUIRED.
 - PAYMENT FOR GUARDRAIL (Type 'W') TO INCLUDE OFFSET BLOCKS, POST, BACK-UP PLATES WHERE REQUIRED, BOLTS, NUTS, WASHERS, TERMINAL SECTIONS, ADDITIONAL POST WHERE REQUIRED, LEAVE-OUTS INCLUDING GROUT WHERE REQUIRED, & REMOVAL AND REPLACEMENT OF PORTIONS OF MEDIAN PAVING, SPILLWAYS, OR CATCH BASINS WHERE NECESSARY.
 - ALL DIMENSIONS ARE SUBJECT TO MANUFACTURING TOLERANCES.
 - STANDARD NET LENGTH OF RAIL ELEMENTS MAY BE EITHER 12'-6\"/>

REV. W-BM BLOCK TO 8\"/>		DATE		DEPARTMENT OF TRANSPORTATION STATE OF GEORGIA	
NO SCALE		AUGUST 2011		STANDARD "W" BEAM GUARDRAIL 31 INCH GUARDRAIL HEIGHT	
DES. G.L.O. (SUBMITTED)	DRW. G.L.O.	CHK. B.R.E. (APPROVED)	REV. B.A.S.	NUMBER	4380
B.A.S. STATE DESIGN POLICY ENGINEER Margaret B. Pirelo CHIEF ENGINEER					