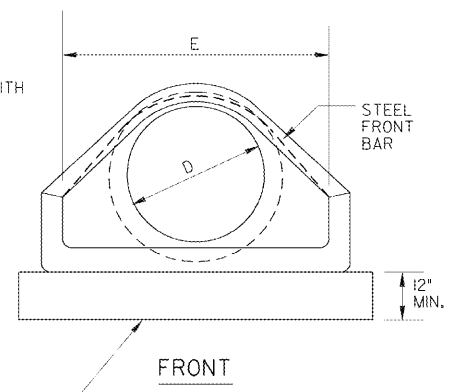
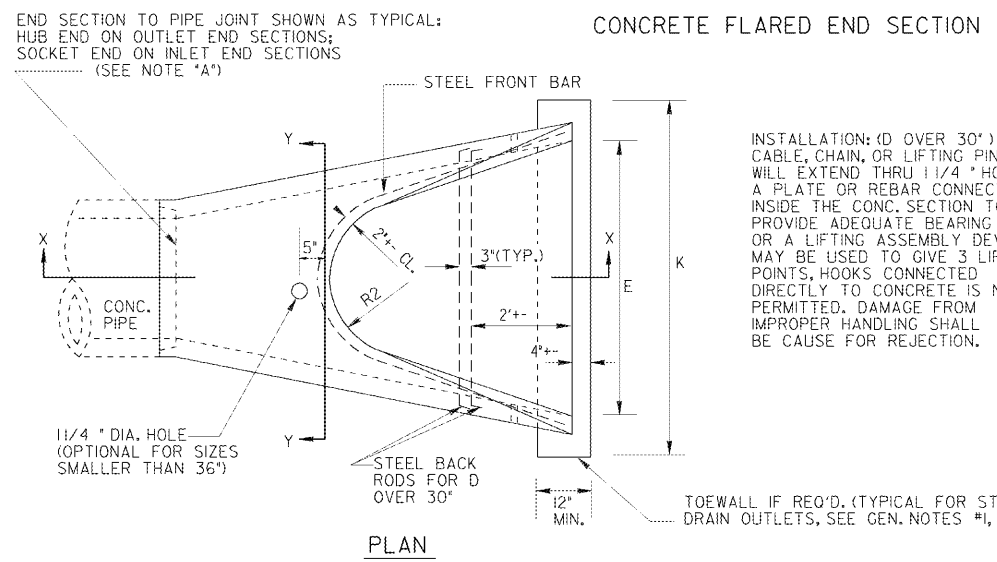
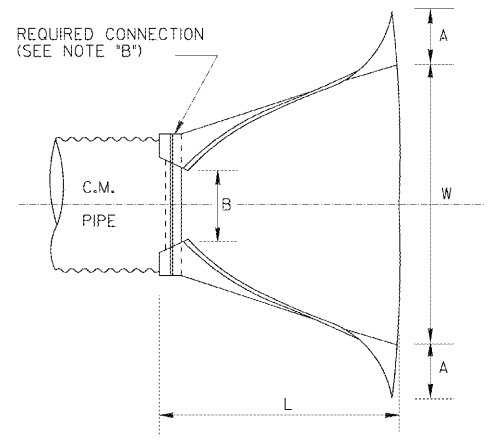


STATE	PROJECT NUMBER	SHEET NO.	TOTAL SHEETS
GA.			



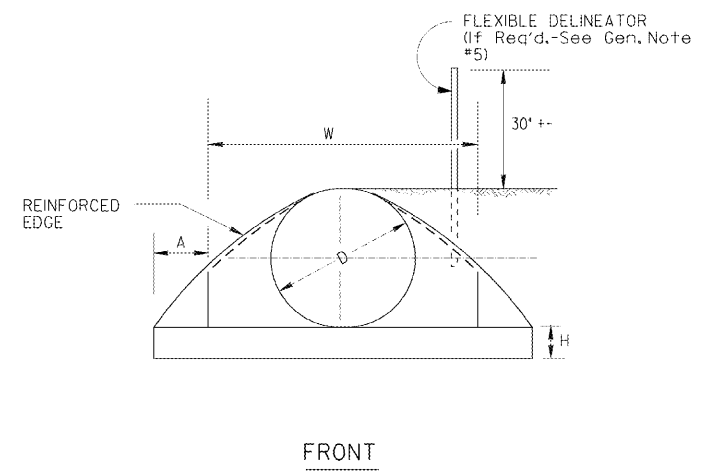
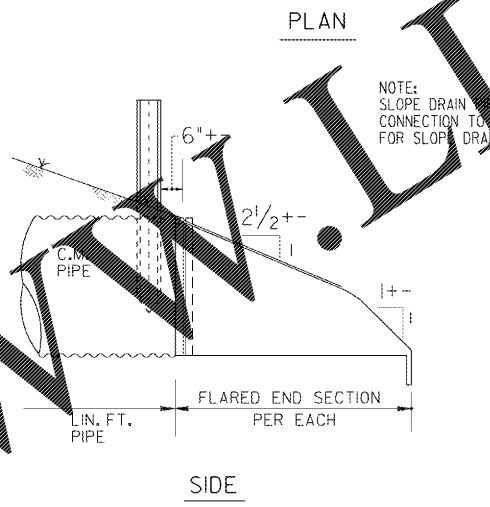
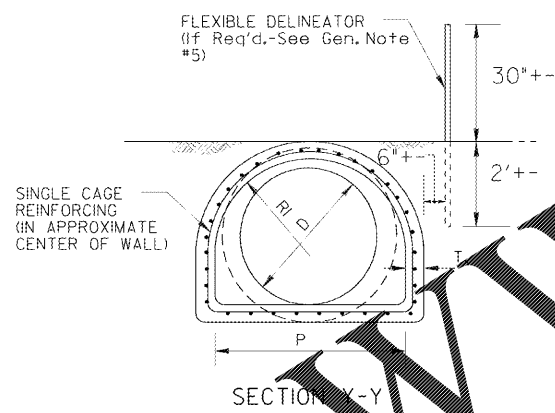
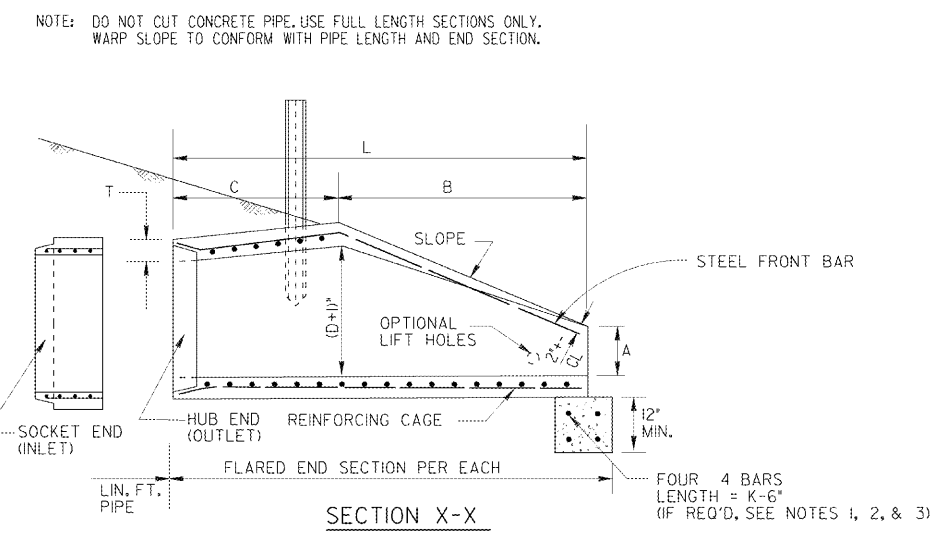
METAL FLARED END SECTION (USE ONLY WITH COR. METAL PIPE)



NOTE: GALVANIZED STEEL FLARED END SECTIONS ARE TO BE USED ONLY WITH CORRUGATED STEEL PIPE AND ALUMINUM FLARED END SECTIONS ARE TO BE USED ONLY WITH CORRUGATED ALUMINUM PIPE UNLESS OTHERWISE APPROVED BY D.O.T. OFFICE OF MATERIALS AND TESTS.

PIPE SIZE "D"	THICKNESS		A = 0.4D ± 1"	B = 0.5 D ± 1"	H = 0.25D ± 1"	L = 1.6D ± 1/2"	W = 2D
	GALV. STEEL	ALUM.					
12"	.064"	.060"	5"	6"	6"	2'0"	2'0"
15"	.064"	.060"	7"	9"	6"	2'3"	2'6"
18"	.064"	.060"	9"	12"	6"	2'6"	3'0"
24"	.064"	.060"	12"	16"	6"	3'4"	4'0"
30"	.079"	.075"	15"	21"	7"	4'2"	5'0"
36"	.079"	.075"	18"	27"	9"	5'0"	6'0"
42"	.099"	.094"	24"	36"	10"	5'10"	7'0"

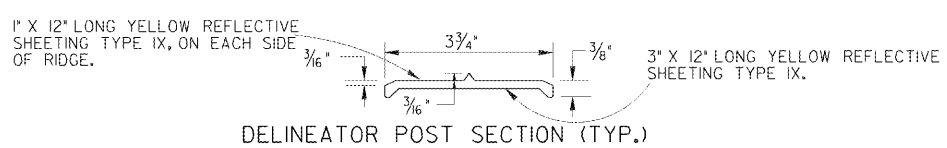
NOTE: WHERE METAL FLARED END SECTIONS ARE USED WITH MULTIPLE PIPE LINES, THE STANDARD SPACING BETWEEN PIPE (S-D OR S-F.T.) MAY HAVE TO BE INCREASED (S=1.75 D TYPICAL). TO PREVENT OVERLAP OF END SECTION TIPS. SEE ALSO STD. 1030D.



SPECIAL NOTE: FLARED END SECTIONS ARE NORMALLY LIMITED TO USE OUTSIDE THE CLEAR ZONE OR BEHIND BARRIER AND WHERE HYDRAULICS PERMIT. SEE OTHER STANDARDS OR DETAILS FOR TAPERED HEADWALLS, SAFETY SLOPE END SECTIONS OR OTHER PIPE END STRUCTURES.

GENERAL NOTES :

- TOEWALLS ARE REQ'D. FOR OUTLETS OF CONC. STORM DRAINS, EXCEPT WHERE DITCH PAVING OR OTHER EROSION PROTECTION IS PROVIDED OR WHERE THE OUTLET VELOCITY IS LESS THAN 8 FT/SEC. TOEWALLS ARE NOT REQUIRED FOR SIDE DRAINS, SLOPE DRAINS OR INLETS OF STORM DRAINS THIS CRITERIA MAY BE VARIED WHERE SPECIFIED BY THE DESIGNER OR THE ENGINEER.
- TOEWALLS WILL BE PAID FOR AS CU. YDS. OF CLASS "A" OR "B" CONCRETE. CONTRACTOR MAY ELECT TO CONSTRUCT TOE WALL WITH SAND CEMENT BAG RIPRAP OR STONE RIPRAP TO SAME MINIMUM DIMENSIONS WITH NO ADDITIONAL PAYMENT.
- PRECAST TOEWALLS SHALL BE CL. "A" CONCRETE; CAST-IN-PLACE TOEWALLS MAY BE CL. "A" OR "B" CONCRETE AND MAY BE TRENCH FORMED. WHERE PLANS ITEMIZE ONE CLASS OF CONCRETE AND CONTRACTOR ELECTS TO USE OTHER CLASS, NO ADDITIONAL PAYMENT IS MADE. NO PAYMENT IS MADE FOR STEEL IN TOEWALL.
- CENTERLINE OF FLARED END SECTION WILL ALIGN WITH CENTERLINE OF PIPE, IF PIPE IS SKEWED, THE EMBANKMENT SLOPE WILL BE WARPED TO CONFORM WITH END SECTION.
- FLEXIBLE DELINEATORS SHALL BE REQUIRED AT CROSS DRAIN FLARED END SECTIONS, BOTH INLET AND OUTLET. PAYMENT FOR FLARED END SECTION WILL INCLUDE DELINEATORS, SEE DETAIL AND NOTES BELOW. DELINEATORS NOT REQ'D. FOR SIDE DRAIN, SLOPE DRAIN, OR LONG PIPE.



NOTE: DELINEATOR POST SHALL CONFORM TO SEC. 911 FOR FLEXIBLE DELINEATOR POST EXCEPT REFLECTIVE SHEETING IS NOT REQUIRED AND LENGTH IS 4'-6" FROM TOP TO BOTTOM POINT. ALTERNATES PERMITTED IF APPROVED BY D.O.T. LABORATORY.

SPECIAL NOTE : PIPE SIZES (D) ARE "NOMINAL-MINIMUM" INSIDE DIAMETERS IN ACCORDANCE WITH GEORGIA STANDARD FOR PIPE CULVERTS. "D" DIMENSION FOR FLARED END SECTION SHALL EQUAL THE "D" DIMENSION FOR CONNECTING PIPE CULVERT.

DIMENSIONS AND REINFORCING FOR CONCRETE FLARED END SECTIONS (±1% TOLERANCE)											OUTLET TOEWALL (IF REQ'D)		
PIPE DIA	FRONT BAR	BACK RODS	SLOPE ±	C	L	E	P	R1	R2	K- E + 2'	CU.YDS. CONC.		
12"	1-#3 x 5' 4"	NOT REQ'D.	2.2d	4"	2'1"	4'1"	6"	2'0"	1'8"	10"	9"	4'-0"	.148
15"	1-#3 x 6' 0"	NOT REQ'D.	2.2d	6"	2'5"	3'10"	6"	2'6"	2'0"	1'0"	11"	4'-6"	.167
18"	1-#3 x 7' 2"	NOT REQ'D.	2.2d	8"	2'9"	3'10"	6"	3'0"	2'5"	1'4"	12"	5'-0"	.185
24"	1-#3 x 9' 10"	NOT REQ'D.	2.2d	10"	3'8"	2' 6"	6"	4'0"	2'9"	1'5"	12"	6'-0"	.222
30"	1-#3 x 11' 2"	NOT REQ'D.	2.4d	12"	4'6"	6'2"	6"	5'0"	3'0"	1'6"	13"	7'-0"	.259
36"	1-#4 x 13' 10"	2-#4 x 6' 3"	2.4d	15"	5'3"	2'11"	8"	6'0"	4'0"	2'0"	13"	8'-0"	.296
42"	1-#4 x 13' 10"	2-#4 x 7' 4"	2.4d	21"	5'3"	2'11"	8"	6'6"	4'6"	2'4"	14"	8'-6"	.315

NOTE: SPECIFIED REINFORCING IS MINIMAL AND MAY BE INCREASED AT PRODUCERS OPTION TO AID CASTING AND HANDLING. ALTERNATE REINFORCEMENT PERMITTED IF APPROVED.

* NOTE: "C" AND "L" DIMENSION MAY BE MEASURED TO EITHER END OF JOINT CONNECTION AT PIPE.

- NOTE "B": THE CONNECTION BETWEEN METAL FLARED END SECTION AND C.M. PIPE WILL BE ONE OF THE FOLLOWING:
- A STRAP BAND OR THREADED ROD PROVIDED BY THE MANUFACTURER WILL LOCK END SECTION ONTO PIPE. A CORRUGATION AT THE PIPE AND WILL BE NON-SPIRALED (PERPENDICULAR TO CL OF PIPE)
 - A DIMPLE BAND COLLAR WILL BE SHOP BOLTED TO END SECTION. PIPE WILL BE INSERTED INTO BAND COLLAR TO MEET THE END SECTION.
 - A STUB PIPE WILL BE RIVETED TO THE END SECTION AND THE MAIN PIPE CONNECTED TO THE STUB WITH A NORMAL CONNECTING BAND.
 - OTHER TYPE CONNECTION IF RECOMMENDED BY MANUFACTURER AND APPROVED BY THE D.O.T.

DEPARTMENT OF TRANSPORTATION
STATE OF GEORGIA

STANDARD FLARED END SECTIONS FOR PIPES

NO SCALE REV. & REDR. SEPT., 1999

DES. (SUBMITTED)	REVISION	DATE
RETR. (APPROVED)		
CHK.		

NUMBER 1120