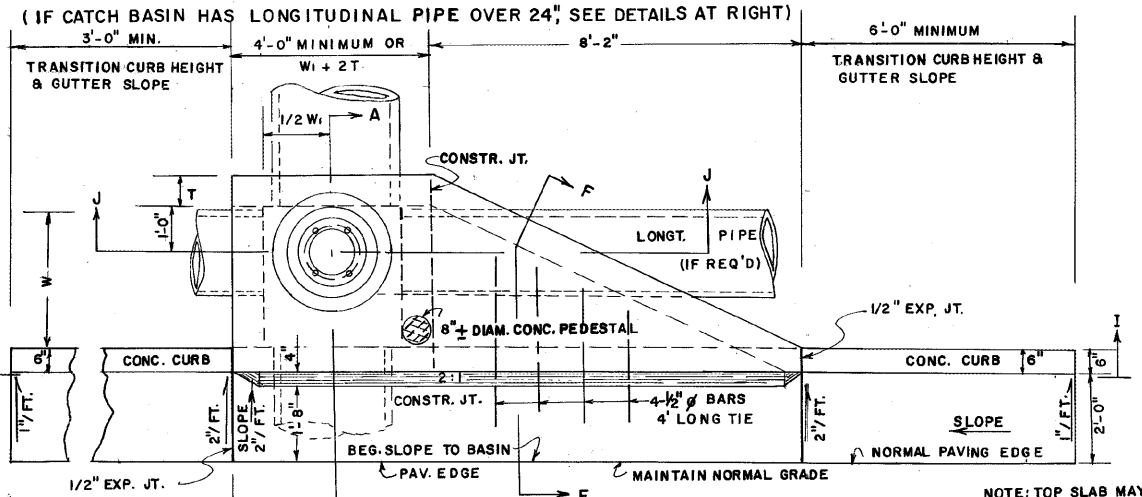


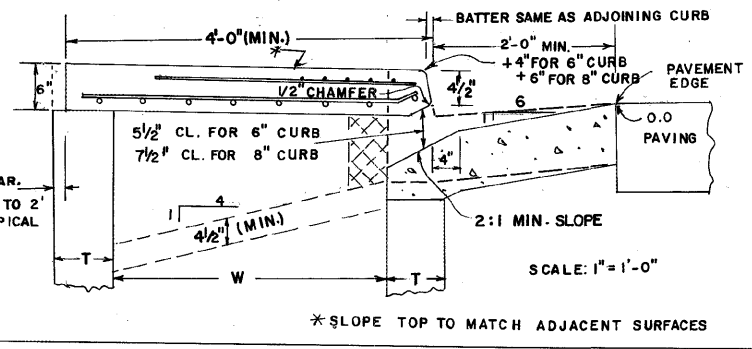
STATE	PROJECT NUMBER	SHEET NO.	TOTAL SHEETS
GA			

### CATCH BASIN

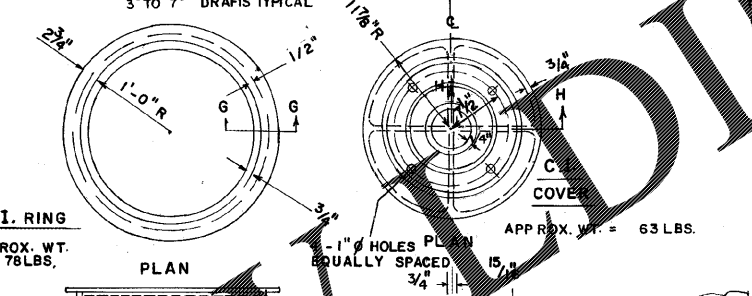


PLAN

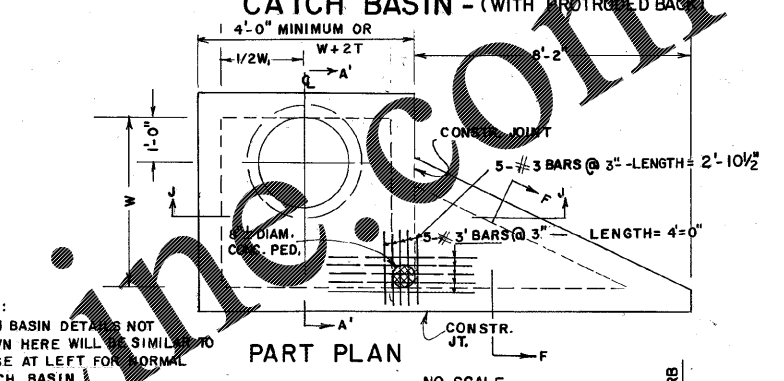
### DETAIL OF TOP SLAB, REINF. STEEL & CLEARANCES REQ'D.



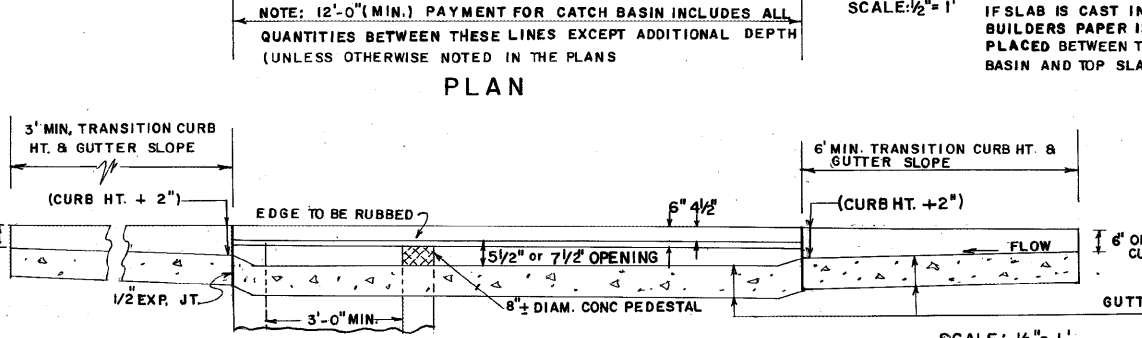
### CASTING DETAILS



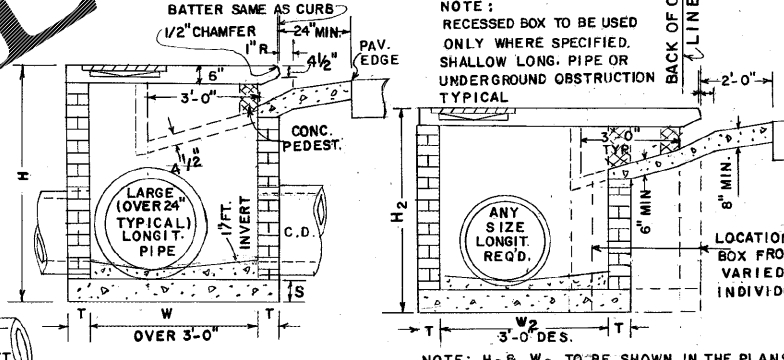
### (TYPICAL FOR CATCH BASIN WITH LARGE LONGITUDINAL PIPE OR RECESSED BOX)



PART PLAN

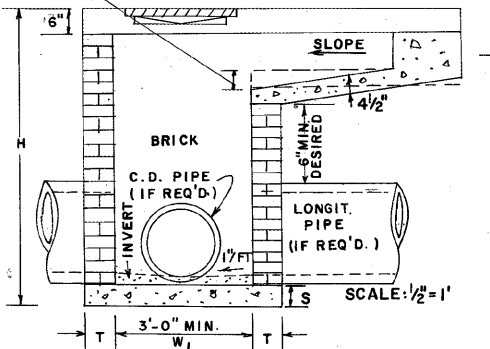


SECTION I-I

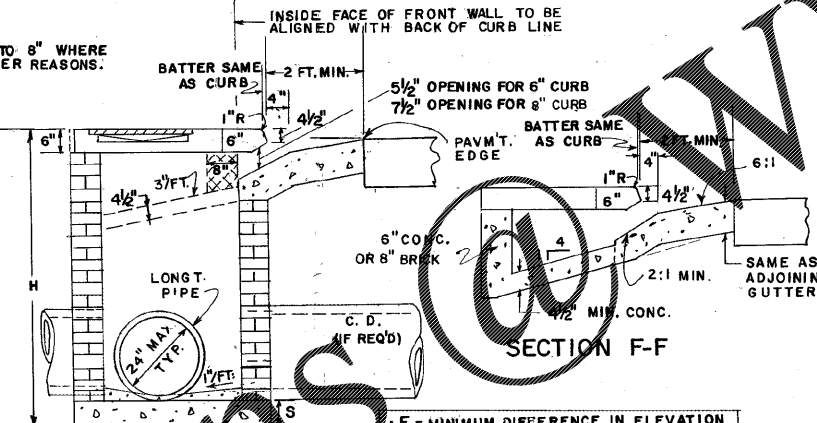


SECTION A-A' (WITH LARGE LONGITUDINAL PIPE)

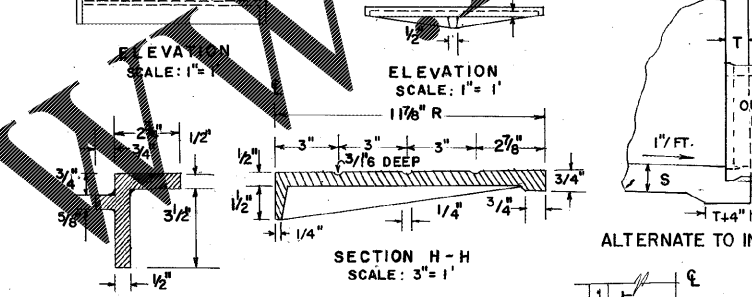
NOTE: NORMAL SLOPE OF CONCRETE APRON TO BE INCREASED BY 4" TO 8" WHERE "H" PERMITS AND LONGITUDINAL PIPE IS LOWERED FOR OTHER REASONS.



SECTION J-J

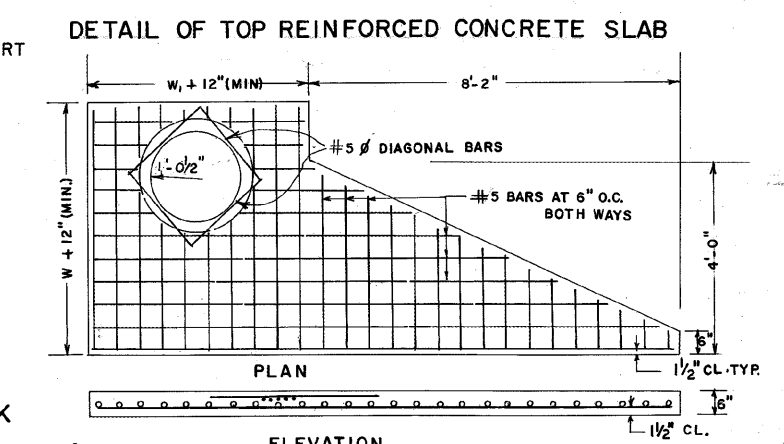


SECTION F-F



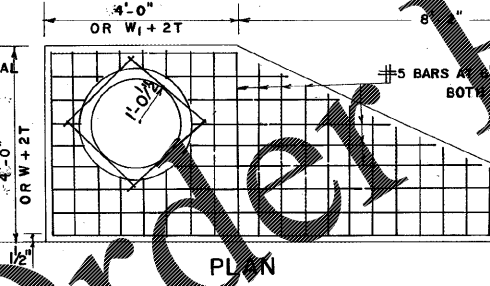
SECTION H-H

### DETAIL OF TOP REINFORCED CONCRETE SLAB

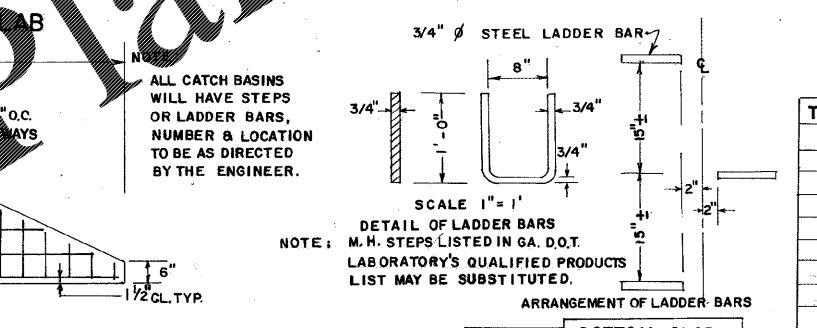


ELEVATION

### DETAIL OF TOP REINFORCED CONCRETE SLAB



PLAN

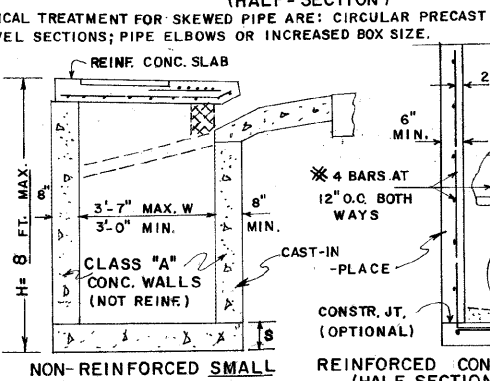


SECTION A-A'

PIPE DIA.	H (MIN.)	W or W1 (MIN.)	ΔE (MIN.)
12	4'-4"	3'-0"	3'-3"
15	4'-7"	3'-0"	3'-6"
18	4'-10"	3'-0"	3'-9"
24	5'-6"	3'-0"	4'-4"
30	6'-2"	3'-7"	5'-0"
36	6'-10"	4'-6"	5'-7"
42	7'-4"	5'-3"	5'-11"
48	8'-0"	6'-0"	6'-6"
54	8'-6"	6'-8"	7'-0"
60	9'-2"	7'-4"	7'-7"

NOTE: THE MIN. H & MIN. ΔE GIVEN IN ABOVE TABLE ARE BASED UPON TYPICAL OUTSIDE DIAMETERS OF CONC. PIPE AND MAY BE VARIED IF CONDITIONS PERMIT WITH VARIED DIMENSIONS SPECIFIED IN THE PLANS OR DIRECTED BY THE ENGINEER. W & W1 DIMENSIONS DO NOT HAVE TO BE EQUAL.

### PRECAST BOX ON BRICK (HALF-SECTION)



REINFORCED CONCRETE (HALF-SECTION)

### CONSTRUCTION ALTERNATES

NOTE: DETAILS NOT SHOWN ABOVE FOR CONSTRUCTION ALTERNATES WILL BE SIMILAR TO BRICK CATCH BASIN DETAILS. SEE SEPARATE STANDARDS FOR PRECAST ALTERNATES.

### DEPARTMENT OF TRANSPORTATION

STATE OF GEORGIA

### STANDARD CATCH BASINS

FOR USE WITH CURB (6" HT. OR 8" HT.) & GUTTER

SCALE AS SHOWN

RED. & REDR. AUGUST, 1982

REV. & REDR. (SUBMITTED)	TRA. (APPROVED)	CHK. (APPROVED)	NUMBER
			1033 D