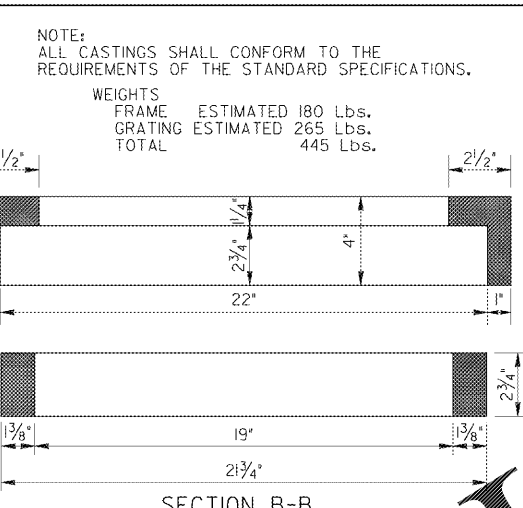
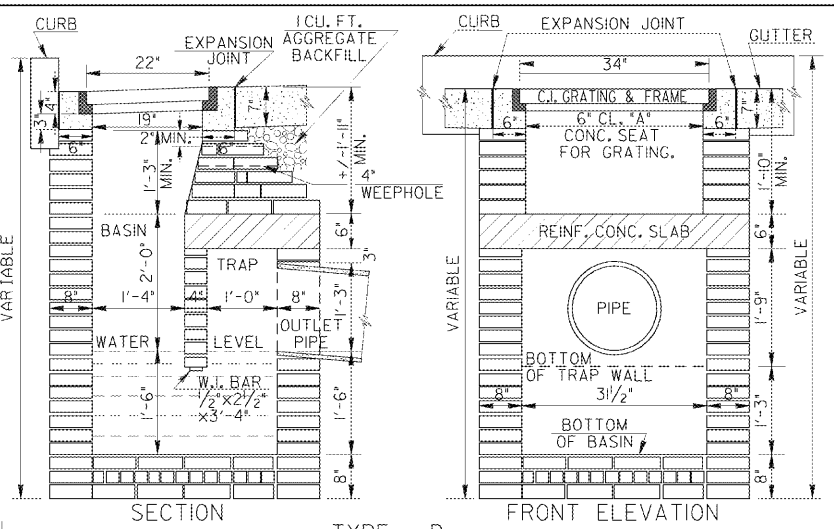
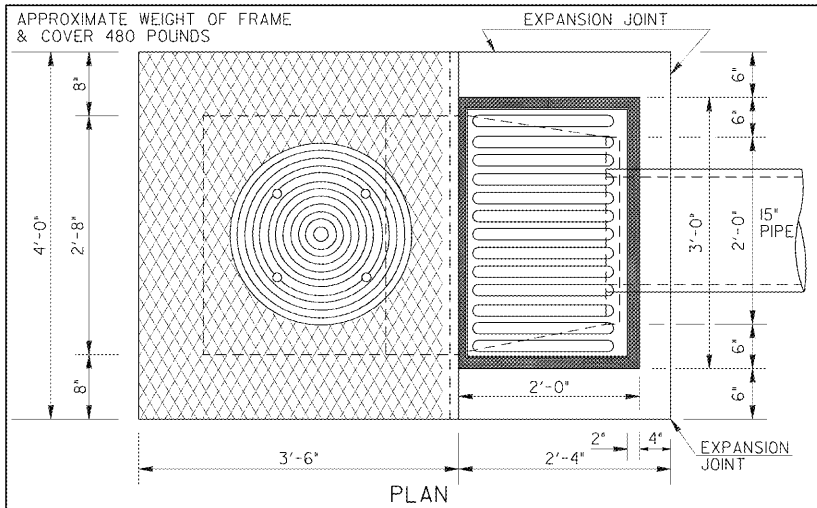


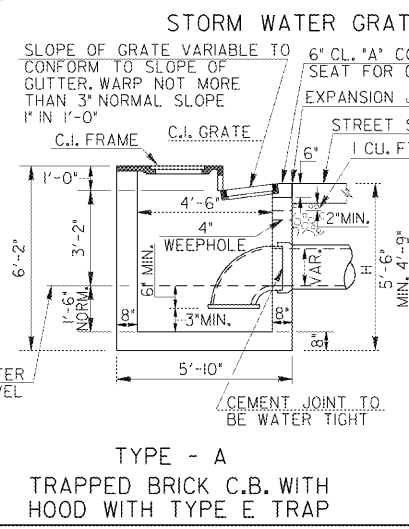
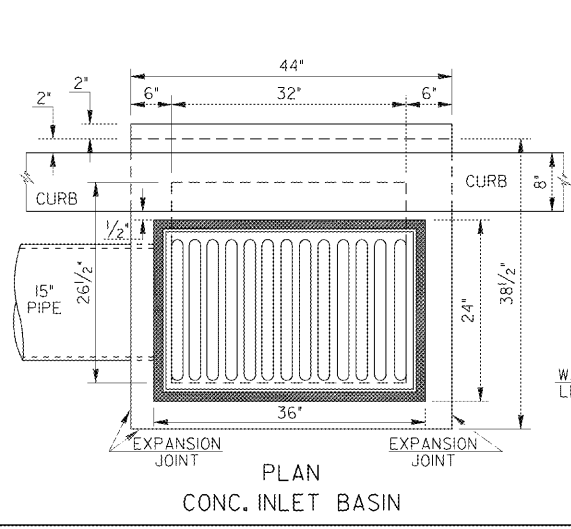
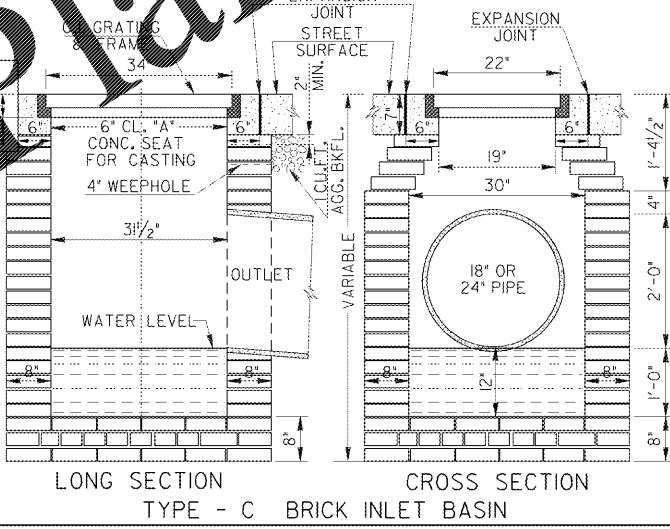
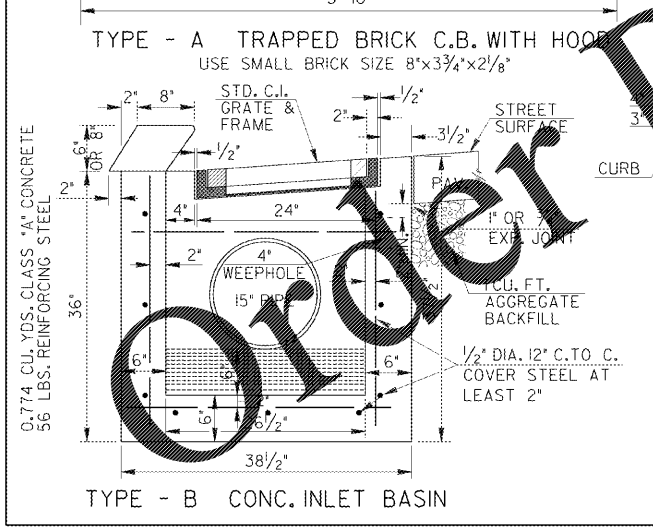
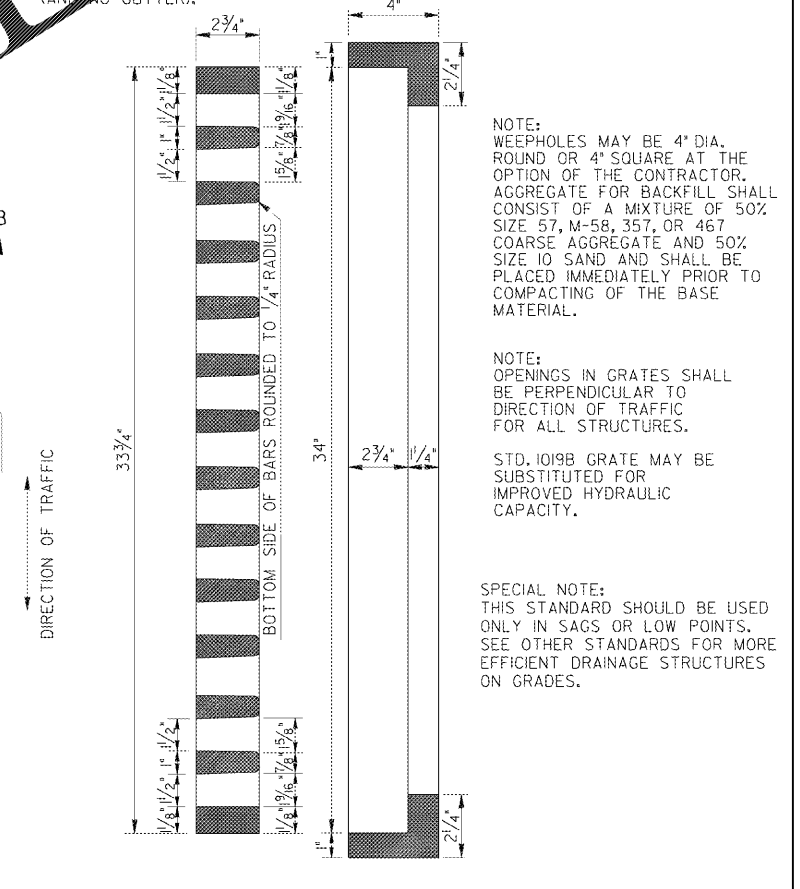
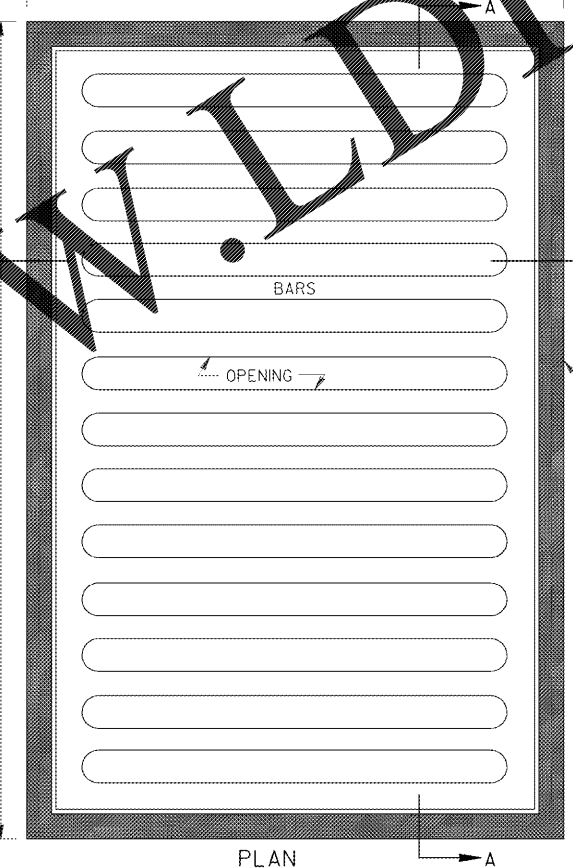
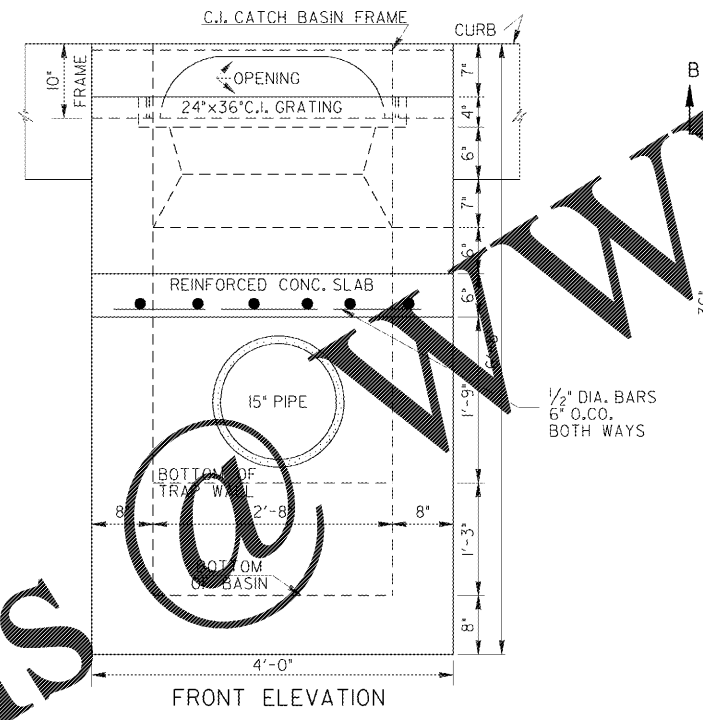
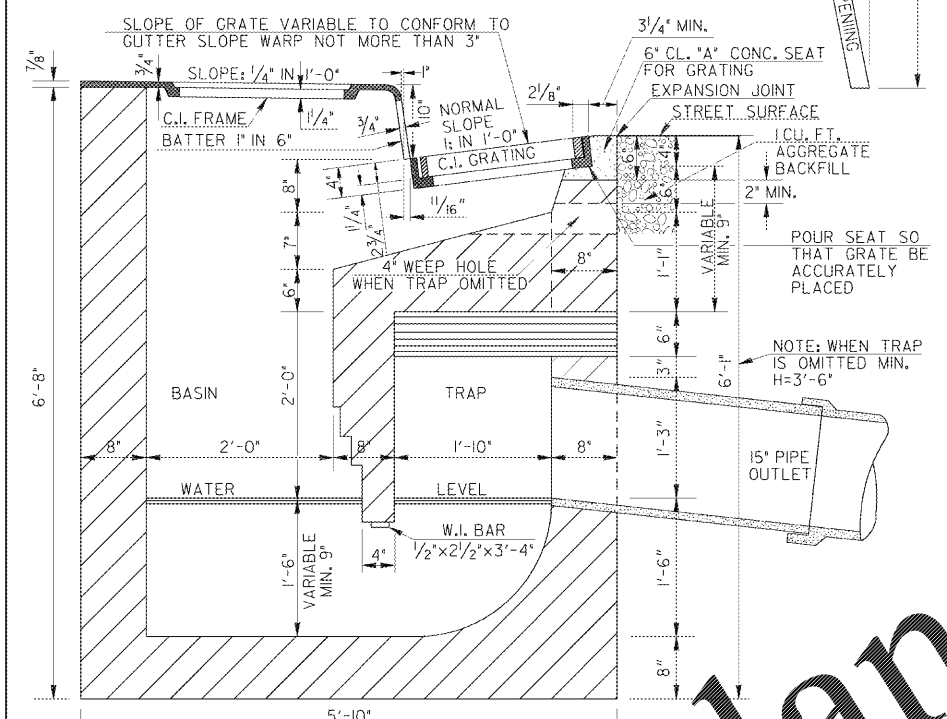
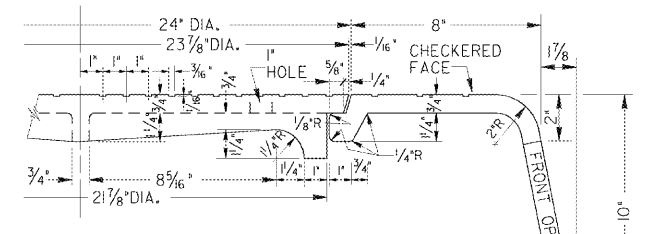
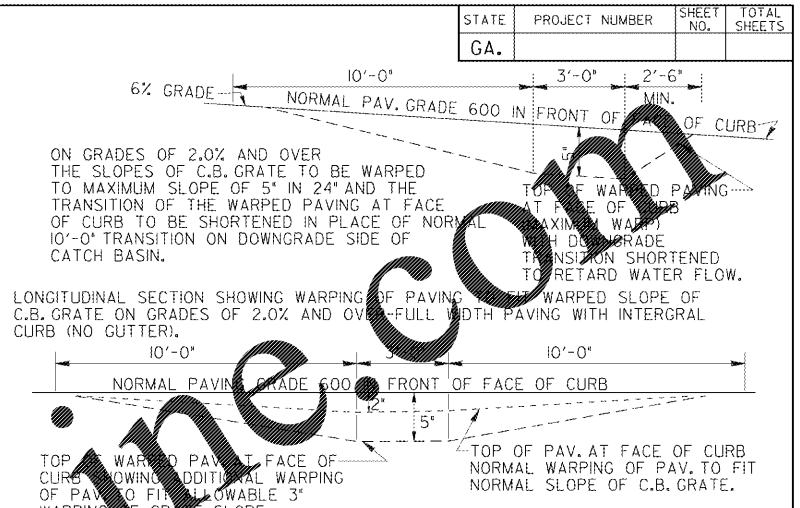
STATE	PROJECT NUMBER	SHEET NO.	TOTAL SHEETS
GA.			



NOTE: ALL CASTINGS SHALL CONFORM TO THE REQUIREMENTS OF THE STANDARD SPECIFICATIONS.

WEIGHTS
 FRAME ESTIMATED 180 Lbs.
 GRATING ESTIMATED 265 Lbs.
 TOTAL 445 Lbs.

NOTE: CASTINGS ARE CITY OF ATLANTA STD. AND MODIFICATION AS SHOWN FOR SECTION OF FRAME AND COVER.



DEPARTMENT OF TRANSPORTATION STATE OF GEORGIA			
STANDARD CATCH BASINS WITH CAST IRON GRATE INLETS			
REV. & REDR. SEPT. 1999			
DES. BY	(SUBMITTED)	STATE ROAD & AIRPORT DESIGN ENGINEER	NUMBER
TRA. CHK.	(APPROVED)	CHIEF ENGINEER	1010