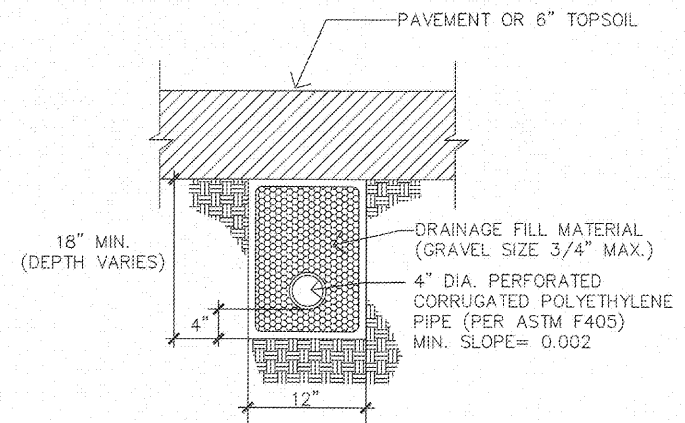
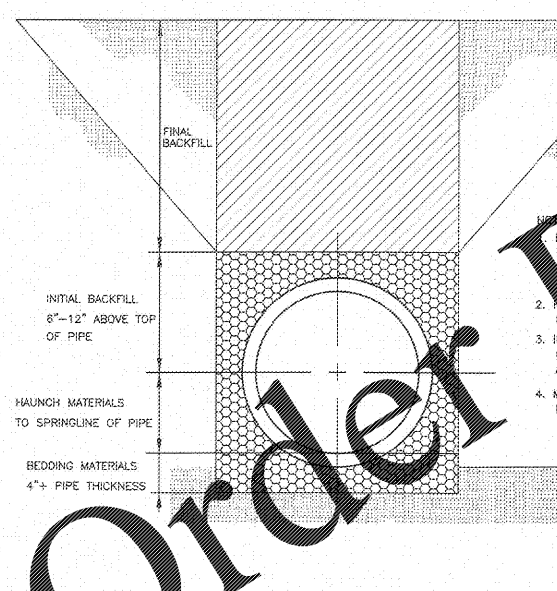


COMPACTOR AREA DETAIL
 NO SCALE



FRENCH DRAIN DETAIL
 NO SCALE CG13



TRENCH CONSTRUCTION AS PER OSHA/STATE REGULATIONS

1. BEDDING MATERIALS SHALL BE CLASS I, II, OR III MATERIALS AS DEFINED IN TABLE 2. INSTALLATION OF THESE MATERIALS SHALL BE AS PER TABLE 2.

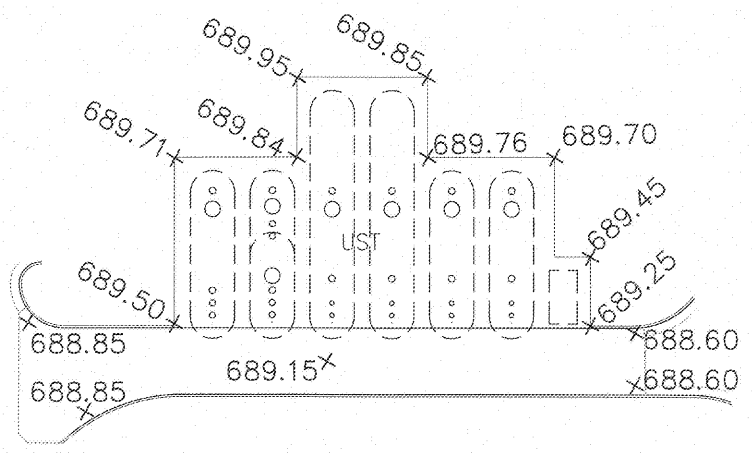
2. TRENCH MATERIALS SHALL BE CLASS I, II, OR III PER ASTM D-2321, TABLE 2.

3. INITIAL BACKFILL MATERIALS SHALL BE CLASS I, II, OR III MATERIALS AS REQUIRED ABOVE, RESTRICTED AS PER ASTM D-2321, TABLE 2.

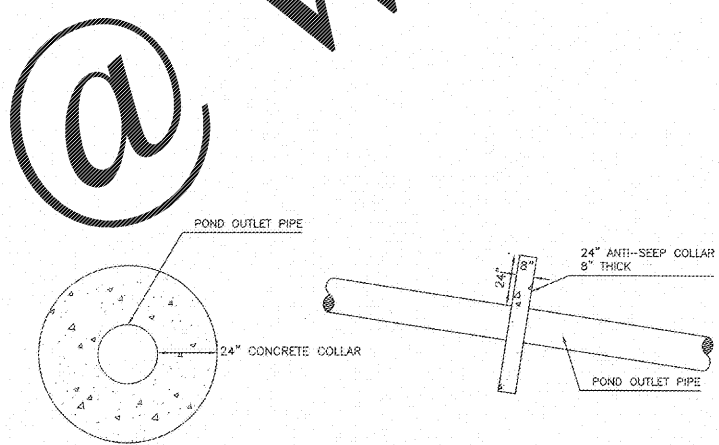
4. MINIMUM TRENCH WIDTHS (AS REQUIRED BY ASTM D-2321), ARE AS FOLLOWS:

WIDTH, CPP	MIN. TRENCH
8"	25"
10"	27"
12"	30"
15"	34"
18"	38"
24"	48"
30"	66"
36"	78"
42"	93"
48"	99"

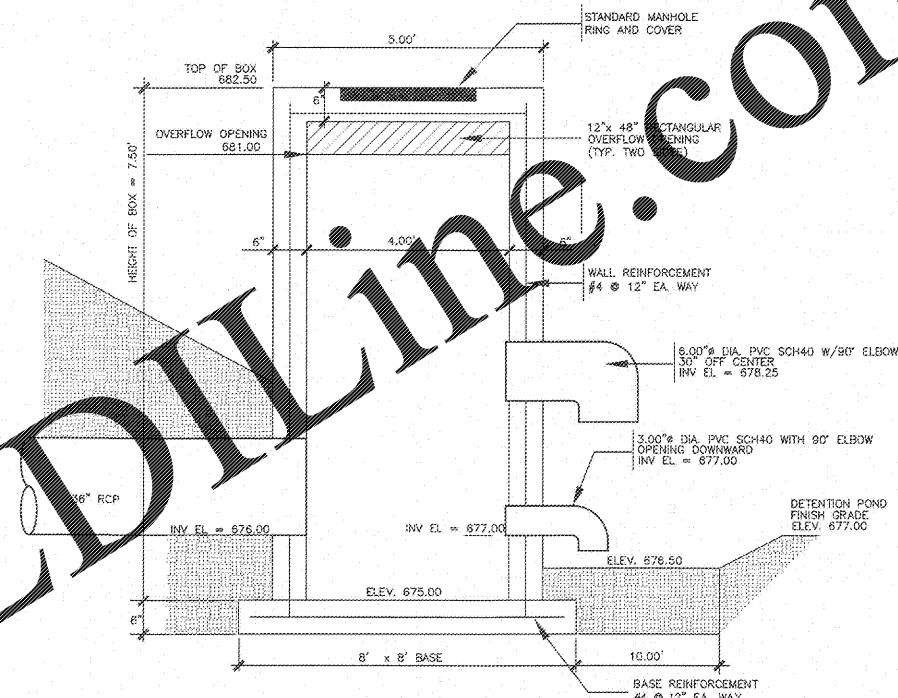
5. WHERE THE TRENCH BOTTOM IS UNSTABLE, CONTRACTOR SHALL EXCAVATE TO A DEPTH AS REQUIRED BY THE ENGINEER AND REPLACE AS AN ALTERNATE, TRENCH BOTTOM MAY BE STABILIZED USING A GEOFABRIC.



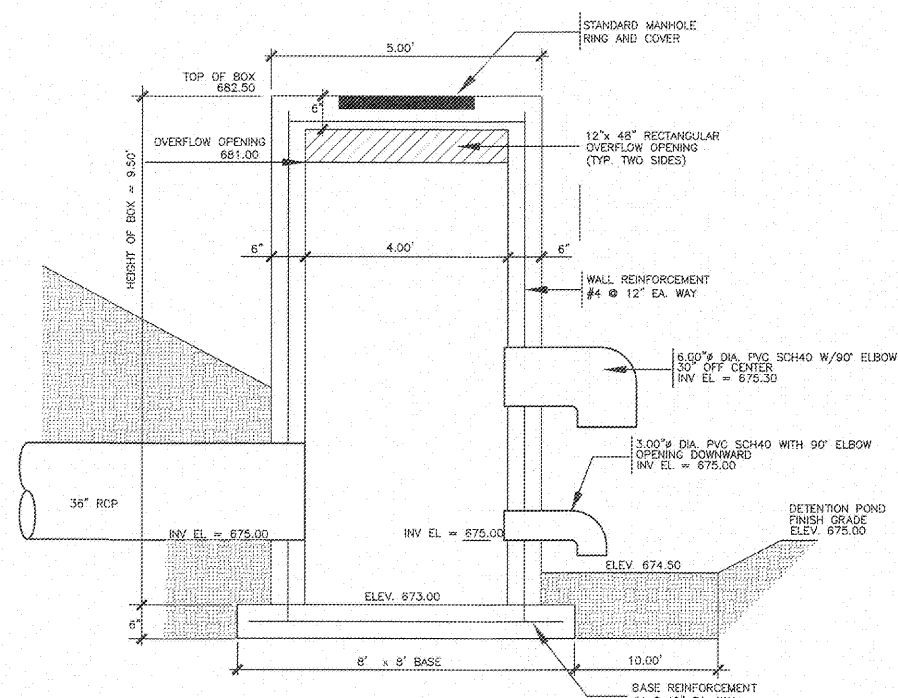
UST UNLOADING PAD AREAS DETAIL
 NO SCALE



ANTI-SEEP COLLAR DETAIL
 NO SCALE



OUTLET CONTROL BOX #1
 NO SCALE



OUTLET CONTROL BOX #2
 NO SCALE



THIS DRAWING IS NOT VALID WITHOUT AN ORIGINAL BLUE INK SIGNATURE AND ORIGINAL HANDWRITTEN DATE OF A LICENSED PROFESSIONAL ENGINEER.

GRADING & DRAINAGE
 DETAILS

Know what's below.
 Call before you dig.

CG 161031 - Calhoun, GA I-75 exit 310 @ Union Grove Road NEQ Design 161031 Details & Specs.dwg, 5/22/2018 4:15:03 PM, Duxim, copyright Resource Consulting, LLC