

**GENERAL NOTES:**

- A. CONTRACTOR TO VERIFY WHICH SYSTEM IS TO BE INSTALLED. REQUIREMENTS CAN VARY DEPENDING ON MANUFACTURER. THE CONTRACTOR IS CAUTIONED TO VERIFY ALL REQUIREMENTS PRIOR TO CONSTRUCTION.
- B. CONTRACTOR TO PROVIDE ALL RECEPTACLE OUTLETS, CONDUITS AND J-BOXES AS INDICATED ON PLAN.
- C. CONTRACTOR TO VERIFY AND COORDINATE LOCATION OF VIDEO DISPLAY DEVICES W/ BURGER KING REPRESENTATIVE.
- D. MAINTAIN P.O.S. CABLES A MIN. OF 12" AWAY FROM ANY FLUORESCENT LIGHT SOURCES ABOVE CEILING.
- E. ELECTRICAL CONTRACTOR TO IDENTIFY P.O.S. JUNCTION BOXES ABOVE CEILING "GROUND P.O.S. ONLY".

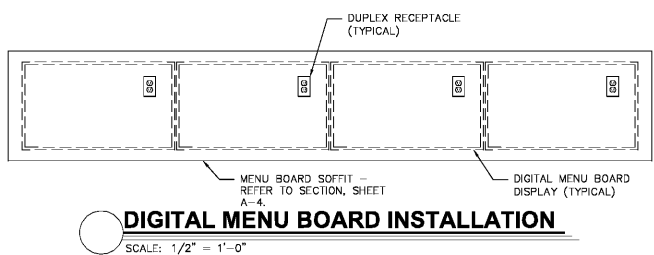
**KEYED PLAN NOTES:**

- 1 DISPLAY #1 AND BUMP BAR. PROVIDE 4" CONDUIT FOR VIDEO, BUMP BAR AND PRINTERS. PROVIDE CEILING MOUNTED RECEPTACLES. (TYPICAL FOR DISPLAY #1, #2 AND #3)
- 2 DISPLAY #2 AND BUMP BAR
- 3 DISPLAY #3 AND BUMP BAR
- 4 STOCK LEVEL LIGHT CONTROLLER @ 60" A.F.F.
- 5 TOTAL SERVICE TIME DISPLAY
- 6 GRADE DISPLAY
- 7 CLOCK-RECEP. IN CHASE
- 8 STOCK LEVEL DISPLAY RECEP. IN CHASE
- 9 EQUIPMENT MOUNTED RECEPTACLES BY K.E.S. CIRCUITING RUNS BY E.C.
- 10 J-BOX W/ 3/4" CONDUIT @ 84" A.F.F.
- 11 CEILING MOUNTED D/T TIMER WINDOW TIME DISPLAY
- 12 90" A.F.F. FOR D/T LAND MONITOR.
- 13 P-RING @ 24" A.F.F. W/ 1" CONDUIT TO THE CLG.
- 14 J-BOX W/ 1" CONDUIT TO CLG. FOR PHU DATA CABLE. (LOCATE NEXT TO THE RECEP.)
- 15 SECURITY CAMERA (TYPICAL)
- 16 SECURITY MONITOR (TYPICAL)

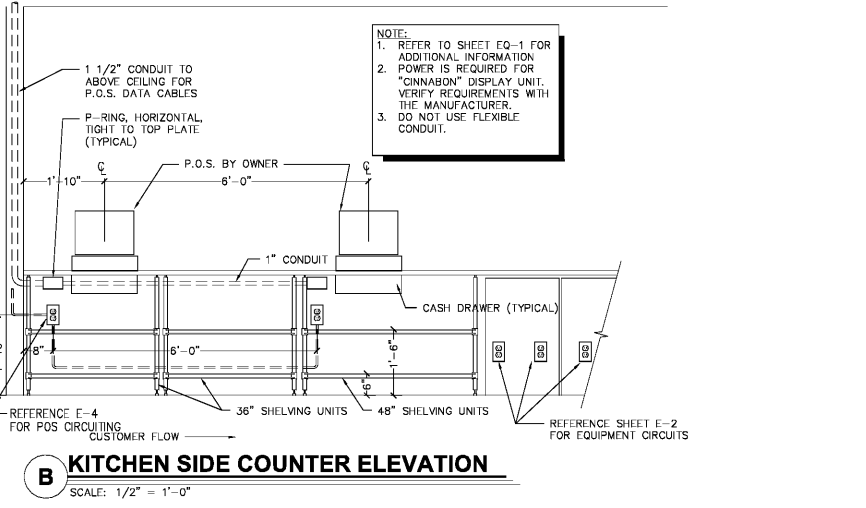
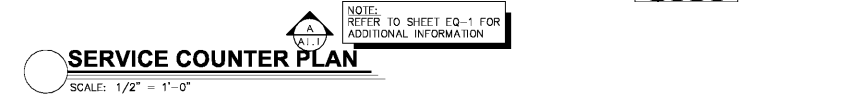
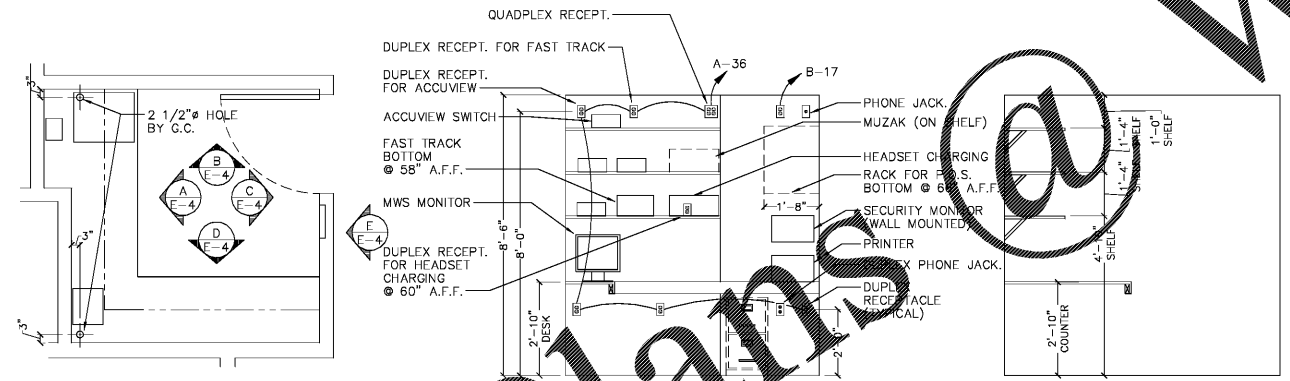
SYMBOL LEGEND	
DETAIL	DESCRIPTION
	DUPLEX 125V-20A-2 POLE-3 WIRE STRAIGHT BLADE RECEPTACLE OUTLET - WALL MTD. (24" A.F.F., - U.O.N.)
	SINGLE 125V-20A-2 POLE-3 WIRE STRAIGHT BLADE RECEPTACLE OUTLET - WALL MTD. (24" A.F.F., - U.O.N.)
	DRYWALL P-RING
	BUMP-BAR
	TELEPHONE OUTLET FOR P.O.S. MODEM (ALL OUTLETS HOMERUN IN 3/4" CONDUIT TO TELEPHONE BACKBOARD) MOUNT 96" A.F.F.
	P.O.S. PRINTER DEVICE
	P.O.S. REGISTER DEVICE
	VIDEO DISPLAY DEVICE (CEILING MTD.)
	SECURITY CAMERA "PRIVATE" CONTACT: LAURENCE R. SHER, 581-1758
	SECURITY MONITOR BY PROVIDE 1" CONDUIT TO S. CIRCUL. SUBJECT TO S. CIRCUL. S. CIRCUL.

**NOTES:**

- 1. DUPLEX RECEPTACLE FOR SCREEN
- 2. P-RING PER SCREEN WITH 1" CONDUIT TO ABOVE CEILING. DATA CABLE TO RUN TO MEDIA PLAYER(S) IN OFFICE
- 3. VERIFY NUMBER OF SCREENS USED (3 OR 4) PRIOR TO INSTALLATION OF RECEPTACLES AND P-RINGS.
- 4. DETERMINE SCREEN AND MOUNTING BRACKET MODELS PRIOR TO INSTALLATION OF RECEPTACLES AND P-RINGS.
- 5. REFER TO SHEET E-2, POWER PLAN FOR CIRCUITING REQUIREMENTS.



**TECHNOLOGY PLAN**  
SCALE: 1/4" = 1'-0"



Order Plans @ WWW.LDILLINE.COM

**NOTES:**

- 1. REFER TO SHEET EQ-1 FOR ADDITIONAL INFORMATION
- 2. POWER IS REQUIRED FOR "CINNABON" DISPLAY UNIT. VERIFY REQUIREMENTS WITH THE MANUFACTURER.
- 3. DO NOT USE FLEXIBLE CONDUIT.

DATE: 06/21/18  
DRAWN BY: DBM  
NO. DATE: 05/21/18  
CHECKED BY: M. J. JOHNSON  
RELEASED FOR CONSTRUCTION & BID

**BURGER KING**

PREMIER KINGS, INC.  
5529 CARMICHAEL ROAD  
MONTGOMERY, ALABAMA 36117  
PHONE: (205) 833-1758  
LINDSEY@BKALABAMA.COM

2126 Morris Avenue  
Birmingham, AL 35223  
Phone: (205) 322-1758  
Fax: (205) 322-1778  
Email: info@jphaha.com  
www.jphaha.com

**James M. Huckestein**  
architect AIA

architecture • planning • interior design

**Professional Engineer**  
No. 22419  
W. ELISABETH HYDE  
5/14/18

PROJECT # 16026-07  
ROC-60 20/20 IMAGE: APRIL 2015 DESIGN RELEASE

**BURGER KING RESTAURANT**

5300 U.S. Hwy 279  
Covington, GA

TECHNOLOGY PLAN

**E-4**