

DINING ROOM

OFFICE

COOLER

FREEZER

CORRIDOR

MEN

WOMEN

CREW

KITCHEN

SERVING

CUSTOMER PICK-UP

COKE MACH

COFFEE/TEA BREWER

115 CFH

RTU-1

115 CFH

RTU-2

115 CFH

RTU-3

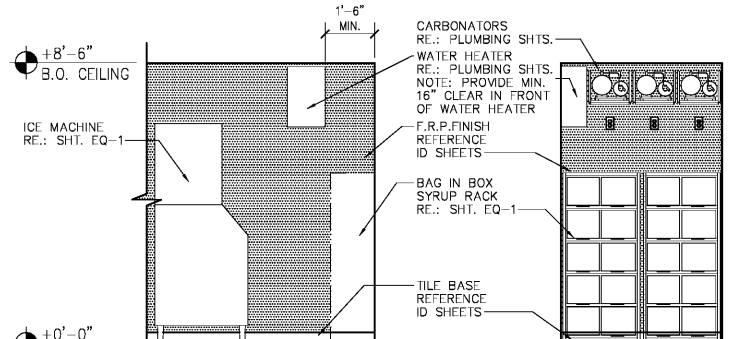
80 CFH

RTU-4

\*\* PROVIDE ASSE 1070 COMPLIANT THERMOSTATIC MIXING VALVES ON ALL HAND WASH SINKS, SET TO 109°F

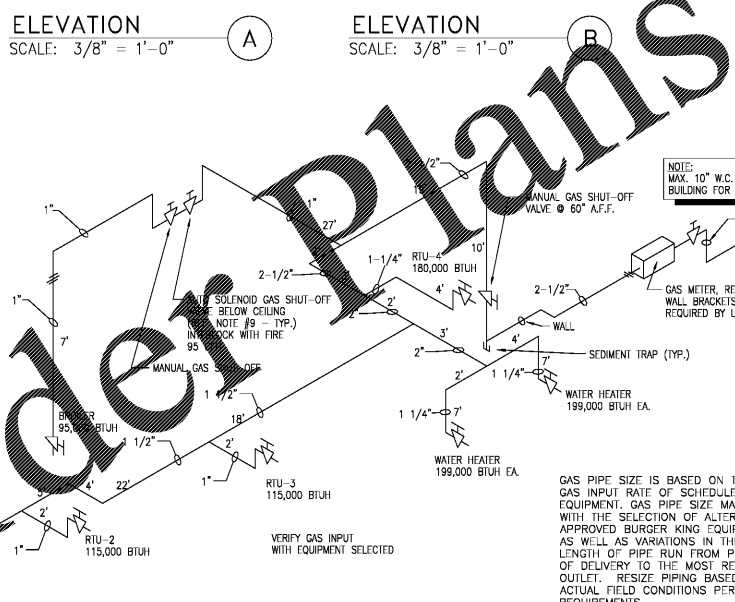
WATER & GAS PLAN

SCALE: 1/4" = 1'-0"



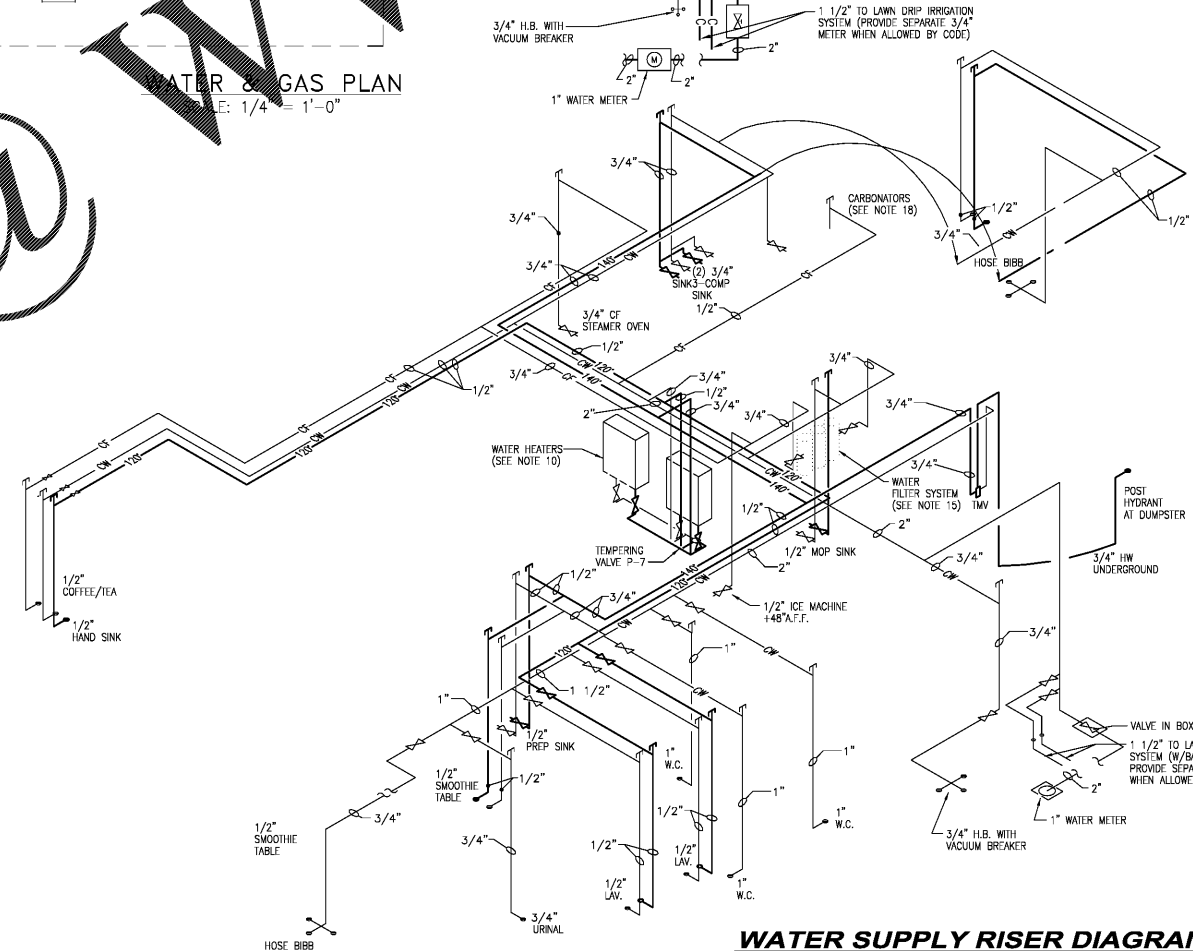
ELEVATION A SCALE: 3/8" = 1'-0"

ELEVATION B SCALE: 3/8" = 1'-0"



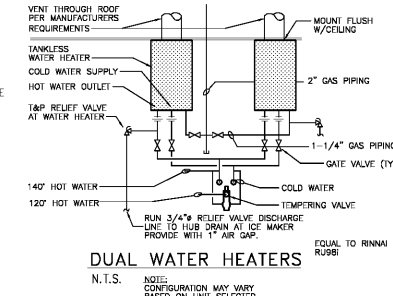
GAS SUPPLY RISER DIAGRAM

TOTAL LOAD = 1,018,000 BTUH  
TOTAL LENGTH TO FURTHEST APPLIANCE = 110'



WATER SUPPLY RISER DIAGRAM

NOTE: MAX. 10" W.C. PRESSURE INTO BUILDING FOR NATURAL GAS  
PROVIDE ISOLATING FLANGES ABOVE GRADE BEFORE ENTERING BUILDING  
GAS METER, REGULATOR, VALVES, WALL BRACKETS, ETC. AS REQUIRED BY LOCAL GAS COMPANY  
FOR GAS SERVICE



DUAL WATER HEATERS

- NOTES: 1. DO NOT SCALE DRAWINGS... 2. GENERAL CONTRACTOR AND PLUMBING CONTRACTOR SHALL VERIFY GAS REQUIREMENTS... 3. ALL HOT AND COLD WATER PIPING... 4. LOCATE COLD WATER PIPES IN FURRED OUT SPACES AT TOILET ROOMS... 5. PROVIDE FROST PROOF HOSE BIBBS... 6. PROVIDE SEPARATE SHUT-OFF VALVES... 7. PROVIDE COUPLINGS TO ALL EQUIPMENT... 8. PLUMBING CONTRACTOR TO FURNISH... 9. PROVIDE CATEGORY III STAINLESS STEEL VENT... 10. PROVIDE BACKFLOW PREVENTER... 11. PROVIDE WOOD BLOCKING... 12. CONTRACTOR TO PROVIDE 3/4" DIAMETER HOT AND COLD WATER LINES... 13. INSTANTANEOUS GAS WATER HEATER... 14. FILTERED WATER AT THE VEGETABLE PREP SINK... 15. APPROVED WATER FILTER SYSTEMS... 16. CUTTING AND NOTCHING OF 2x4 BEARING WALL... 17. PE PIPING TO BE USED UNLESS NOT ALLOWED BY LOCAL CODES.

LEGEND

- LICF LIME INHIBITED COLD WATER FILTER SYSTEM
- C COLD WATER
- Cf COLD WATER FILTER SYSTEM
- 120° HOT WATER (120°)
- 140° HOT WATER (140°)
- UNDERGROUND PIPING
- G GAS PIPING
- G GATE VALVE
- G GAS SHUT-OFF VALVE
- C CHECK VALVE
- HOSE BIBB W/ VACUUM BREAKER
- M MECHANICAL GAS SHUT-OFF VALVE
- I GLOBE VALVE

INSULATION SCHEDULE

Table with 3 columns: ZONE, PIPE SIZE UNDER 1" DIA., PIPE SIZE OVER 1" DIA.

Order Plans