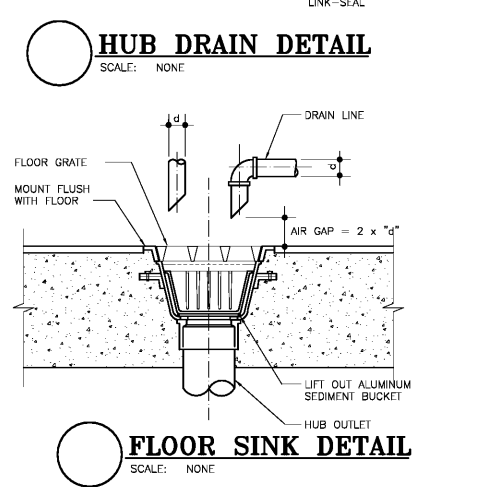
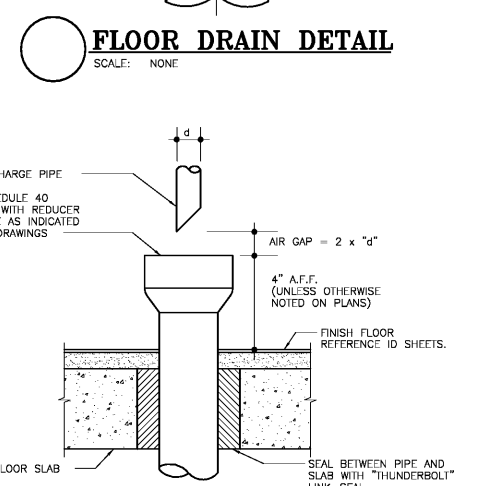
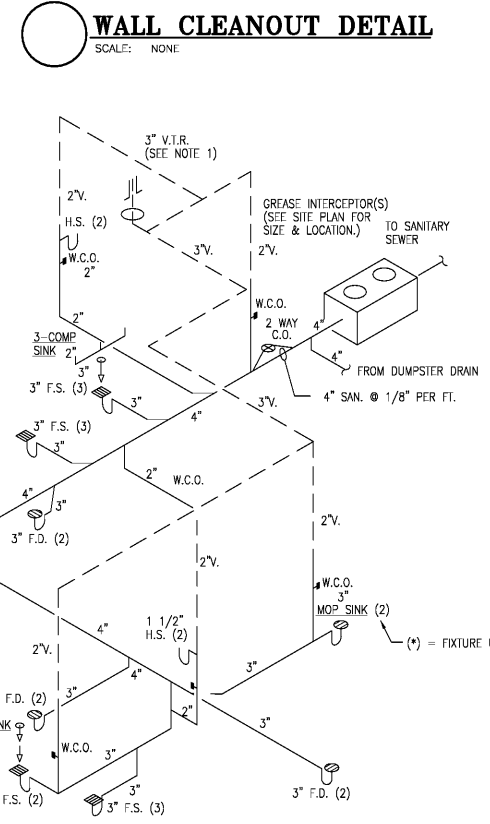
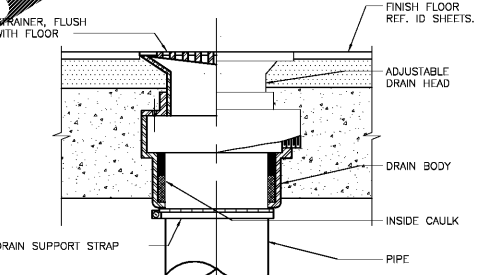
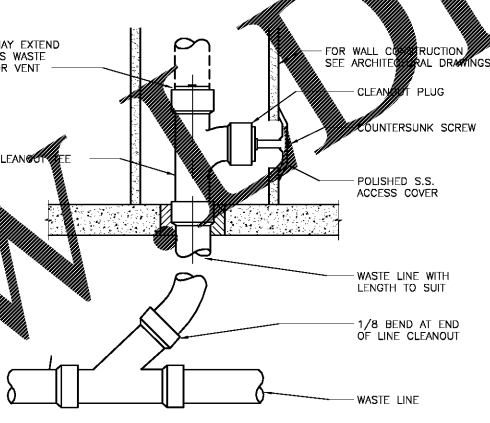


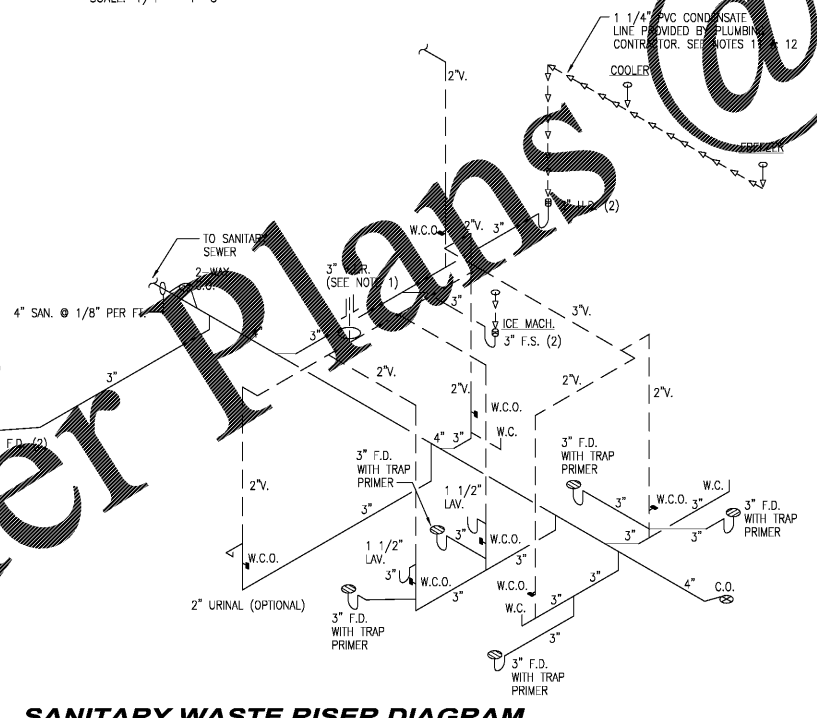
MARK	FIXTURE	MANUFACTURER	MODEL NUMBER	MODEL NAME	VALVE
P-1	WATER CLOSET	AMERICAN STANDARD	2234.015	MADERA	SLOAN ROYAL #110
		KOHLER	4350	WELLCOMME	ZURN #Z6000AV-HET 1.25GPF
		ZURN	Z5655.001.01.00.00		
P-2	WATER CLOSET - ADA	AMERICAN STANDARD	3043.001	MADERA	SLOAN ROYAL #110
		ELJER	091-2175	PAIROT	ZURN #Z6000AV-HET 1.25GPF
		ZURN	Z5655.001.01.00.00		
P-3	URINAL - ADA	AMERICAN STANDARD	6506.011	WASHBROOK	SLOAN ROYAL #186
		KOHLER	K-4960-ET	BARDON	ZURN #Z6003AV-EWS .50 GPF
		ZURN	Z5751.196.00		
P-4	LAVATORIES **	ZURN	Z5344		KOHLER K-1559B FAUCET
		KOHLER	K-2054	SOHO	ZURN #7440-XL FAUCET
P-5	MOP SINK	CAST IN PLACE			CHICAGO #897-CP
					OR AMERICAN STANDARD #8344.111
					OR KOHLER #8907
P-6	WATER HEATER	RINNAI	RU98I		MINIMUM EFFICIENCY FACTOR EQUAL TO 0.90
P-7	TEMPERING VALVE	WATTS	N170L-M2		
P-8	FLOOR SINK	JOSAM	49300 (49320A AT 3-COMP SINK)		
		J.R. SMITH	3100 (3111 AT 3-COMP SINK)		
		ZURN	Z1910 (Z1900 AT 3-COMP SINK)		
P-9	FLOOR DRAIN	JOSAM	30000-50		
		J.R. SMITH	2010-AP		
		ZURN	Z-4158		

NOTES:
 1. COMPARABLE FIXTURES BY AMERICAN STANDARD, ELJER, KOHLER ARE ACCEPTABLE.
 2. TOILET SEATS TO BE CHURCH 9500SSC, KOHLER K-467, OLSONITE, ETC OR EQUAL.
 3. IN SINGLE USE RESTROOMS ALL FIXTURES SHALL BE ADA COMPLIANT.
 ** PROVIDE ASSE 1070 COMPLIANT THERMOSTATIC MIXING VALVES ON ALL LAVATORIES TO 109°F



LEGEND	
— GW —	GREASY WASTE LINE
— SS —	SANITARY WASTE LINE
— RW —	RAIN WATER LINE
— SAFEWASTE PIPING	
F.C.O. —	FLOOR CLEANOUT
F.D. —	FLOOR DRAIN
F.S. —	FLOOR SINK
HUB OR FUNNEL DRAIN	
V.T.R. —	VENT THRU-ROOF
—	FIXTURE TRAP
—	W.C.O. — WALL CLEAN OUT
—	VENT PIPING

SANITARY WASTE RISER DIAGRAM



Order Plans @

WWW.DIline.com

PROJECT # 16026.07
 ROC-80 20/20 IMAGE: APRIL, 2015 DESIGN RELEASE
BURGER KING RESTAURANT
 U.S. Hwy 278
 Covington, GA

PREMIER KINGS, INC.
 5529 GARMON-DAEL ROAD
 MONTGOMERY, ALABAMA 36117
 PHONE: (205) 834-1111
 LINDSEY@PREMIERKING.COM

2126 Morris Avenue
 Birmingham, AL 35203
 Phone: (205) 322-1251
 Fax: (205) 322-1778
 email: info@huckestein.com
 www.huckestein.com

james m. huckestein architect AIA
 architecture • planning • interior design



SANITARY AND GREASY WASTE PLAN & RISER