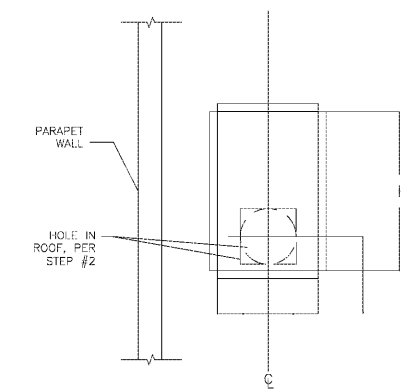


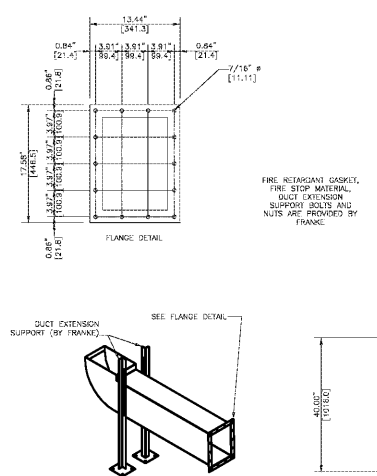
Order Plans



1 INSTRUCTIONS FOR TYPICAL MOUNTING OF THE ROOF CURB
SCALE: NO SCALE

1. THE EXHAUST DUCT COLLAR IS LOCATED IN THE CENTER OF THE HOOD AND 13.82" FROM KITCHEN WALL SHEET ROCK TO THE CENTER OF THE DUCT.
2. PROJECT THE CENTERLINE DIMENSION TO THE ROOF AND CUT A (20" MAXIMUM DIAMETER OR 20"x20" SQUARE) HOLE AT THE DIMENSION.
3. THE CURB IS SET PARALLEL TO THE PARAPET WALL AS PER THE ILLUSTRATION ON THIS SHEET.
4. PER THE DIAGRAM IN DETAIL 9 ON SHEET 2, THE EXHAUST FAN DISCHARGES HORIZONTALLY AWAY FROM THE PARAPET WALL.
5. FACING THE PARAPET WALL WITH THE FAN CURB IN FRONT OF YOU, THE LEFT EDGE OF THE ROOF CURB SHOULD BE 10-1/4" FROM THE LEFT (2'-11 3/4" FROM THE RIGHT) OF THE CENTERLINE OF THE HOLE IN THE ROOF.
6. ATTACH THE ROOF CURB TO THE ROOF WITH THE CORRECT TYPE AND QUANTITY OF SCREWS THROUGH THE CURB FLANGE.

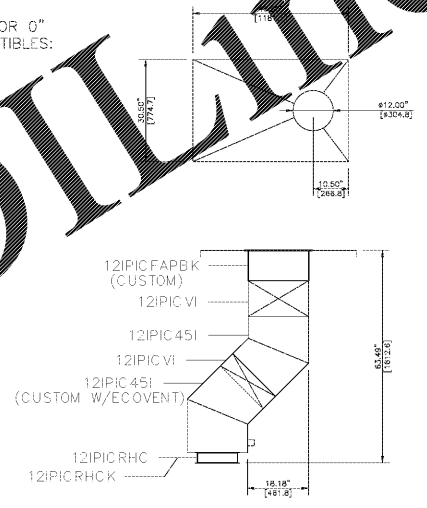
CAUTION!
DO NOT NOT INSTALL THE EXHAUST FAN UNTIL THE GREASE DUCT IS INSTALLED!!!



2 INSTRUCTIONS FOR TYPICAL MOUNTING OF THE ROOF CURB
SCALE: NO SCALE

- INSTALLATION INSTRUCTIONS**
1. ATTACH THE PROVIDED DUCT EXTENSION SUPPORT LEGS PROVIDED. DO NOT TIGHTEN NUTS.
 2. ATTACH 1/8" BEAD OF THE PROVIDED FIRE STOP TO THE OULET FLANGE AND FAN DISCHARGE EXTENSION FLANGE.
 3. PLACE GASKET MATERIAL ON ONE OF THE FLANGES USING THE FIRE STOP APPLIED IN STEP TWO TO HOLD IT IN PLACE.
 4. CLAMP AND BOLT THE TWO FLANGES TOGETHER WITH THE NUTS, WASHERS AND BOLTS PROVIDED AND TIGHTEN.
 5. ADJUST SUPPORT LEGS SO THE EXTENSION SLOPES SLIGHTLY TOWARD THE FAN. TIGHTEN THE NUTS FROM STEP 1.
 6. SCREW THE SUPPORT LEG FLANGES INTO THE ROOF (SCREWS NOT PROVIDED).

UL LISTING NUMBERS FOR 0" CLEARANCE TO COMBUSTIBLES:
- 1978
- 2221
- FILE# MH25506

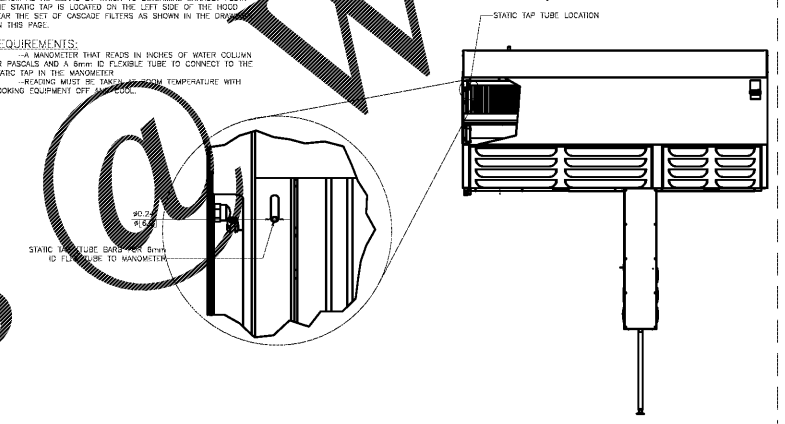


3 METAL-FAB DETAIL
SCALE: NO SCALE

CONFIRMING THE EXHAUST HOOD AIR VOLUME

FRAME RECOMMENDS MONITORING THE STATIC PRESSURE IN THE FLENUM AS HE MEANS BY WHICH TO DETERMINE CHAUST FLOW. THE STATIC TAP IS LOCATED ON THE LEFT SIDE OF THE HOOD NEAR THE SET OF CARTRIDGE FILTERS AS SHOWN IN THE DRAWING ON THIS PAGE.

REQUIREMENTS:
- A MANOMETER THAT READS IN INCHES OF WATER COLUMN OR PASCALS AND A 1/8" ID FLEXIBLE TUBE TO CONNECT TO THE STATIC TAP IN THE MANOMETER.
- READING MUST BE TAKEN AT ROOM TEMPERATURE WITH COOKING EQUIPMENT OFF AND FAN ON.



4 EXHAUST VOLUME CONFIRMATION
SCALE: NO SCALE

CONTROL MATRIX						NOTES
IF:	THEN:					
CONDITION	EXHAUST FAN	ELECTRIC POWER TO COOKING EQUIPMENT	MECHANICAL GAS VALVE	HVAC UNITS	MAKE-UP AIR UNITS (IF AVAILABLE)	
FAN SWITCH IS TURNED ON	ON	ON	ON	ON	ON	HVAC MUST BE ON FOR EXHAUST FAN TO OPERATE
FAN SWITCH IS TURNED OFF	OFF	OFF	ON	ON	OFF	
FIRE SUPPRESSION DISCHARGES	ON	OFF	OFF	OFF	OFF	
FAN BELT IS SLIPPING	ON	OFF	ON	ON	OFF	POWER TO COOKING ED. OFF MA CURRENT SENSOR
FAN BELT IS BROKEN	ON	OFF	ON	ON	OFF	POWER TO COOKING ED. OFF MA CURRENT SENSOR
LOSS OF POWER	OFF	OFF	ON	OFF	OFF	
HVAC IS SWITCHED OFF	OFF	OFF	ON	OFF	OFF	

5 CONTROL MATRIX
SCALE: NO SCALE

DRAWING INFORMATION		
DATE	DESCRIPTION	BY
05-13-18	FOR CONSTRUCTION	KM

N - C - A
CONSULTANTS / GROUP
4585 140TH AVE. NORTH, SUITE #1001
CLEARWATER, FLORIDA
PHONE: (877) 530-0078
CALL NCA MARKETING FOR PRICING
NCA JOB# 18-576

Shane R. Hamilton, P.E.
1717 Howard Avenue
Tomball, TX 77375
(281) 351-6844

CHECKED BY: JMH, ENH	DATE: 05/22/18
REVISION	
RELEASED FOR CONSTRUCTION & BID	
DRAWN BY: MRW	
DATE: 05/22/18	
NO.	



PREMIER KINGS, INC.
5529 CARMICHAEL ROAD
MONTGOMERY, ALABAMA 36117
PHONE: (205) 833-1111
LINDSEY@PREMIERKINGS.COM

2126 Monte Avenue
Birmingham, AL 35203
Phone: (205) 322-7511
Fax: (205) 322-7778
email: info@jamesmuckstein.com
www.jamesmuckstein.com

James M. Muckstein
architect AIA
architecture • planning • interior design

SHANE R. HAMILTON, P.E.
1717 HOWARD AVENUE, TOMBALL, TX 77375
GEORGIA LICENSE # 00413311
No Penetration
G25118
HAMILTON

PROJECT # 18026.07
RDC-60 20/20 IMAGE APRIL 2015 DESIGN RELEASE
BURGER KING RESTAURANT
U.S. Hwy 278
Conley, GA
HOOD DETAILS

© Copyright 2018- Drawings, specifications, notes, database, computer files, field data, and reports as instruments of service prepared by the Design of Record. As instruments of services, these items remain the property of the Design of Record, who shall retain all statutory and other reserved rights, including the copyright thereto. Any use, reproduction or changes to these documents without written consent of NCA Consultants is a violation of federal copyright laws.