

OVERVIEW

TYPICALLY THE EXHAUST HOOD KIT PROVIDED BY FRANKE FOODSERVICE SYSTEMS WILL INCLUDE THE FOLLOWING:
 1. HOOD AND ACCESSORIES
 2. METAL FAB UL LISTED GREASE EXHAUST DUCT
 3. LOREN COOK EXHAUST FAN
 4. AMEREX FIRE SYSTEM

THE SHIPMENT FROM FRANKE FOODSERVICE SYSTEMS WILL INCLUDE THE FOLLOWING:
 1. HOOD
 2. UTILITY CHASE
 3. WALL FLASHING
 4. FRASCA PANELS
 5. CASCADE GREASE FILTERS
 6. METAL FAB GREASE EXHAUST DUCT

THE LOREN COOK EXHAUST FAN AND ROOF CURB IS DROPPED SHIPPED FROM THEIR FACTORY.

FIRE SUPPRESSION SYSTEM
 THE HOOD HAS BEEN FACTORY PRE-PIPED FOR AN AMEREX FIRE SUPPRESSION SYSTEM. THE HOOD KIT FROM FRANKE FOODSERVICE SYSTEMS INCLUDES COMPLETE INSTALLATION OF THE FIRE SUPPRESSION SYSTEM INCLUDING ALL PLANS, PERMITS, CHECK OUT AND CERTIFICATION. THE LOCAL AMEREX REPRESENTATIVE WILL BRING ALL THE SYSTEM COMPONENTS AT THE TIME OF INSTALLATION.

AS AN OPTION, THE HOODS MAY BE PRE-PIPED FOR ANSUL FIRE SUPPRESSION SYSTEM.

CONTACT INFORMATION

SHIPPING INFORMATION
 FOR ALL FRANKE HOOD PARTS - MARIA ALDAY
 FRANKE FOODSERVICE SYSTEMS, INC.
 800 AVIATION PARKWAY
 SMYRNA, TN 37187
 +1-615-482-4000

HOOD INSTALLATION QUESTIONS
 FRANKE FOODSERVICE SYSTEMS, INC. TECHNICAL SUPPORT
 PHONE - 1-800-537-2853 OPTION 2
 PHONE - 1-615-482-5471
 E-MAIL - FS-TLS@FRANKE.COM

AMEREX INSTALLATION QUESTIONS
 THE HOOD IS FACTORY PRE-PIPED FOR AN AMEREX FIRE SUPPRESSION SYSTEM. THE LOCAL AMEREX DISTRIBUTOR WILL MAKE CONTACT WITH THE GENERAL CONTRACTOR TO SET UP THE INSTALLATION SCHEDULE. IF YOU HAVE NOT HEARD FROM THE DISTRIBUTOR, CONTACT:
 KAREN MANN
 AMEREX CORPORATION, TRUSSVILLE, AL
 1-205-655-5730

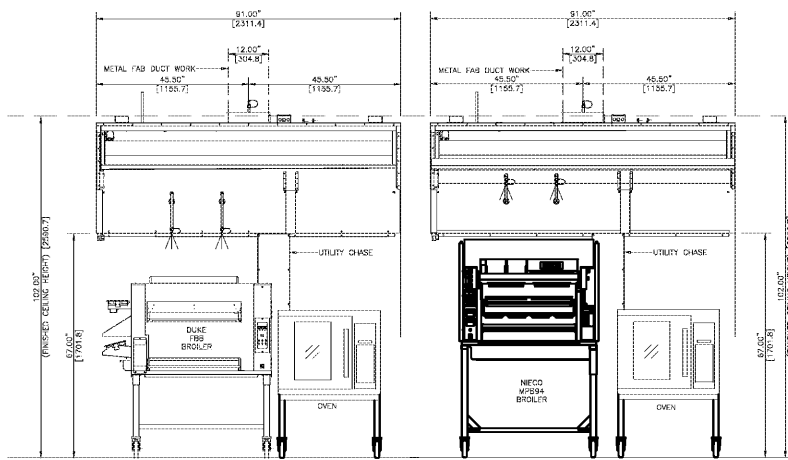
LOREN COOK FAN INSTALLATION
 IF THERE ARE QUESTIONS OR ISSUES WITH THE LOREN COOK FAN INSTALLATION CONTACT:
 DAVID RAY
 LOREN COOK COMPANY, SPRINGFIELD, MO
 1-417-868-8474

METAL-FAB DUCT INSTALLATION
 IF THERE ARE QUESTIONS OR ISSUES WITH THE METAL-FAB DUCT INSTALLATION CONTACT:
 METAL FAB, INC. WICHITA, KS
 COMMERCIAL SERVICE, COMMERCIAL VENT PRODUCTS
 1-800-533-2830

CONTACT INFORMATION

ANSUL INSTALLATION QUESTIONS
 ANSUL INC. MARSHFELD, WI
 OFFICE PHONE: 1-800-582-8785

1 GENERAL NOTES FOR INSTALLATION CREWS
 SCALE: NO SCALE



HOOD FRONT ELEVATION WITH DUKE BROILER
 HOOD FRONT ELEVATION WITH NIECO BROILER

5 FRONT ELEVATIONS
 SCALE: NO SCALE

BROILER HOOD LISTING AND APPROVAL REFERENCE



INTERTEK TESTING SERVICES, INC.

BROILER HOOD IS E.T.L. LISTED EXHAUST HOODS WITHOUT EXHAUST DAMPERS, REPORT NO. 3188208L. TESTED UNDER IN ACCORDANCE WITH UNDERWRITERS LABORATORIES STANDARDS UL710 AND ULCS844.



NATIONAL FIRE PROTECTION ASSOCIATION

COMBINATION BROILER/OVEN HOOD MEETS ALL REQUIREMENTS OF NFPA-96 STANDARD FOR VENTILATION CONTROL AND FIRE PROTECTION OF COMMERCIAL COOKING OPERATIONS



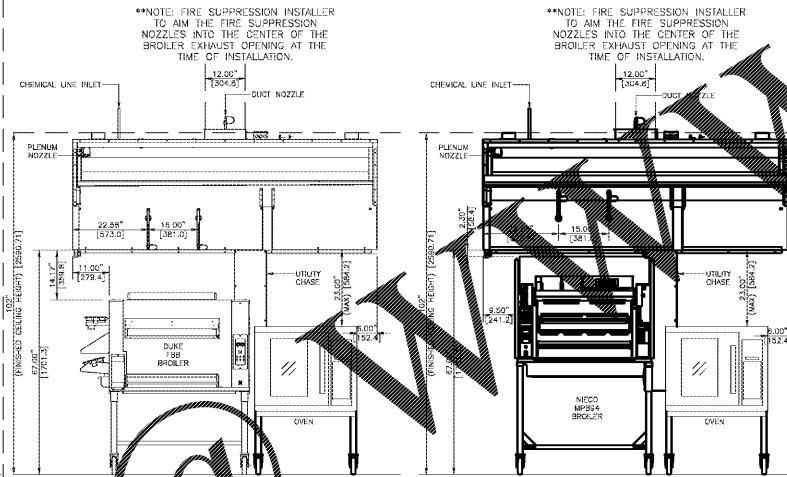
NATIONAL SANITATION FOUNDATION

MEETS ALL REQUIREMENTS OF NSF STANDARD NUMBER 2 FOOD SERVICE EQUIPMENT

MECHANICAL CODES

MEETS ALL REQUIREMENTS OF THE UMC, BOCA, SBCCI AND IMC.

2 APPROVALS
 SCALE: NO SCALE



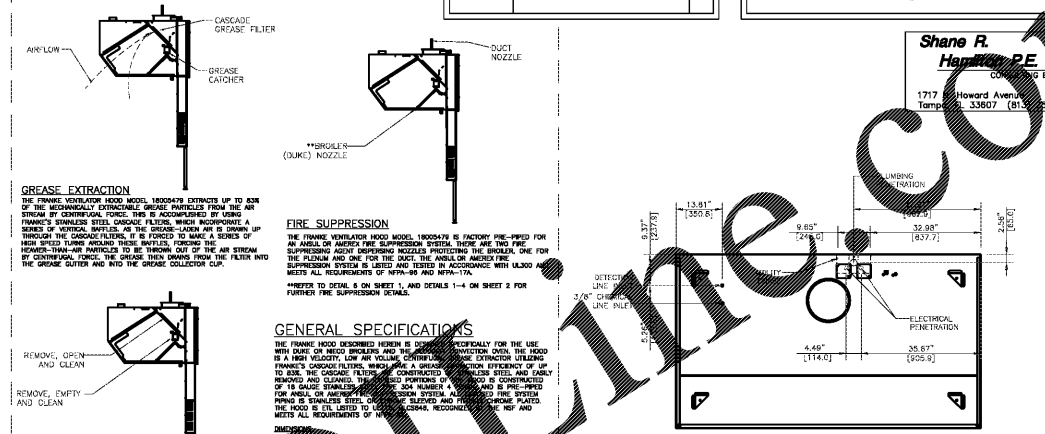
FRONT ELEVATION FIRE SUPPRESSION DETAIL - DUKE
 FRONT ELEVATION FIRE SUPPRESSION DETAIL - NIECO

6 FRONT ELEVATION FIRE SUPPRESSION DETAILS
 SCALE: NO SCALE

DRAWING INFORMATION		
DATE	DESCRIPTION	BY
05-13-18	FOR CONSTRUCTION	KM

N - C - A
 CONSULTANTS / GROUP
 4585 140TH AVE. NORTH, SUITE #1001
 CLEARWATER, FLORIDA
 PHONE: (877) 530-0078
 CALL NCA MARKETING FOR PRICING
 NCA JOB# 18-576

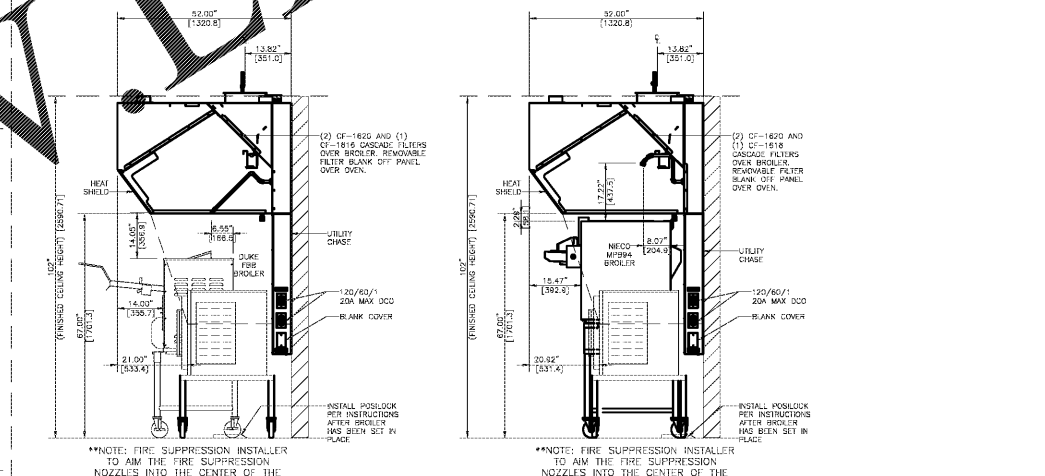
Shane R. Hamilton, P.E.
 1717 Howard Avenue
 Tallahassee, FL 32307 (904) 221-6844



GENERAL SPECIFICATIONS
 THE FRANKIE HOOD BROILER HOOD IS DESIGNED SPECIFICALLY FOR THE USE WITH DUKE OR NIECO BROILERS AND THE LOREN COOK CONVECTION OVEN. THE HOOD IS A 30" DEEP HOOD WITH A 12" WIDE CHASE. THE HOOD IS FACTORY PRE-PIPED WITH 1" STEEL PIPE DROPS AND 1/2" NIPPLES. THE HOOD IS FACTORY PRE-PIPED WITH 1" GAS HOSE AND 1/2" NIPPLES. THE HOOD IS FACTORY PRE-PIPED WITH 1" GAS HOSE AND 1/2" NIPPLES. THE HOOD IS FACTORY PRE-PIPED WITH 1" GAS HOSE AND 1/2" NIPPLES. THE HOOD IS FACTORY PRE-PIPED WITH 1" GAS HOSE AND 1/2" NIPPLES.

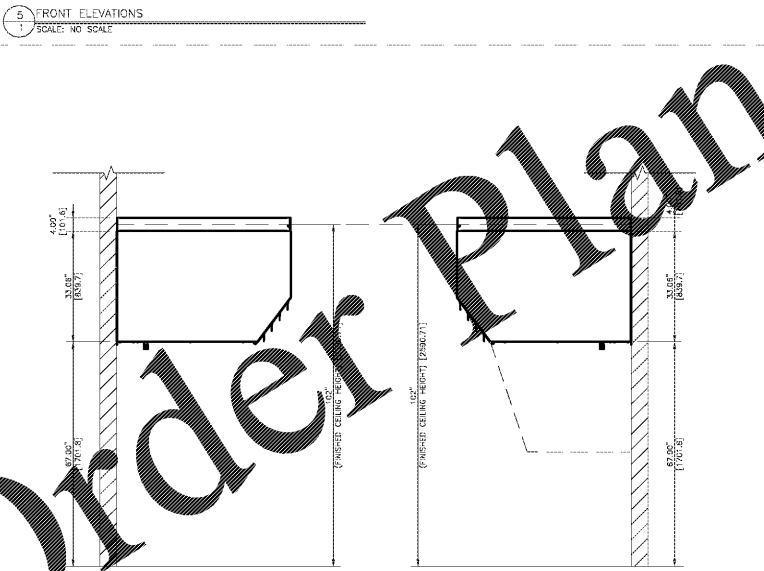
3 SPECIFICATIONS
 SCALE: NO SCALE

4 UTILITY DETAILS
 SCALE: NO SCALE

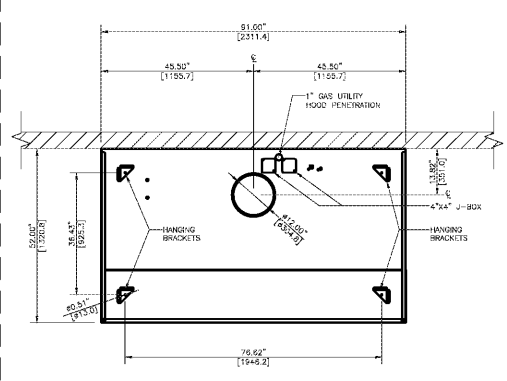


SECTION VIEW - DUKE BROILER
 SECTION VIEW - NIECO BROILER

7 SECTION VIEWS
 SCALE: NO SCALE



8 RIGHT AND LEFT END VIEWS
 SCALE: NO SCALE

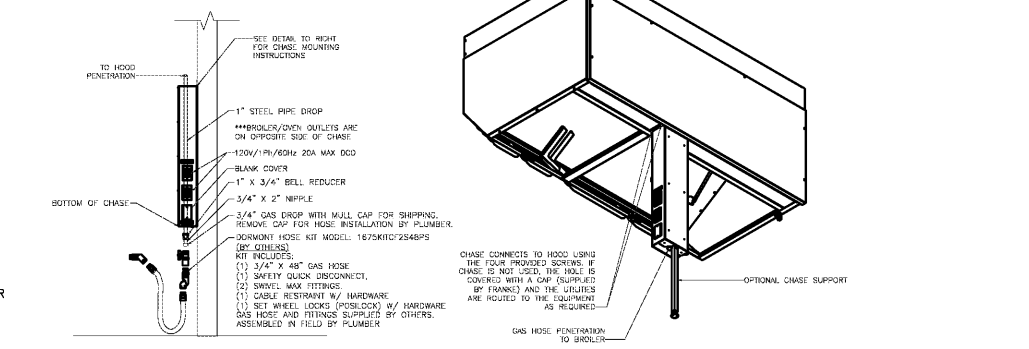


9 PLAN VIEW
 SCALE: NO SCALE

EXHAUST SPECIFICATIONS FOR DUKE BROILER WITHOUT FRANKE DUCT FUNNEL	
DUCT SIZE	12" I.D.
DUCT VELOCITY	1274 FPM
EXHAUST ACT.	1000 CFM
STATIC PRESSURE	0.35"

EXHAUST SPECIFICATIONS FOR DUKE BROILER WITH FRANKE DUCT FUNNEL	
DUCT SIZE	12" I.D.
DUCT VELOCITY	828 FPM
EXHAUST ACT.	650 CFM
STATIC PRESSURE	0.21"

EXHAUST SPECIFICATIONS FOR NIECO BROILER	
DUCT SIZE	12" I.D.
DUCT VELOCITY	1529 FPM
EXHAUST ACT.	1200 CFM
STATIC PRESSURE	0.45"



10 TYPICAL GAS AND ELECTRICAL CHASE DETAILS
 SCALE: NO SCALE

© Copyright 2018- Drawings, specifications, notes, database, computer files, field data, and reports as instruments of service prepared by the Design of Record. As instruments of services, these items remain the property of the Design of Record, who shall retain all statutory and other reserved rights, including the copyright thereto. Any use, reproduction or changes to these documents without written consent of NCA Consultants is a violation of federal copyright laws.

DATE: 05/22/18
 CHECKED BY: JMH, ENH
 RELEASED FOR CONSTRUCTION & BID

PREMIER KINGS, INC.
 5529 CARMICHAEL ROAD
 MONTGOMERY, ALABAMA 36117
 PHONE: 205-833-1111
 EMAIL: info@pkinc.com
 WWW.PKINC.COM

2126 Morris Avenue
 Birmingham, AL 35203
 Phone (205) 322-1751
 Fax (205) 322-1778
 email: info@huckstein.com
 www.huckstein.com

James M. Huckstein
 architect AIA

architecture • planning • interior design

SHANE R. HAMILTON, P.E.
 1717 HOWARD AVENUE
 TALLAHASSEE, FLORIDA 32307
 (904) 221-6844

NO PERMITS
 125118
 SHANE R. HAMILTON

PROJECT # 18026.07
 RUC-60 20/20 IMAGE APRIL 2015 DESIGN RELEASE
 BURGER KING RESTAURANT
 U.S. Hwy 278
 Congleton, GA
 HOOD DETAILS

M-4