

DATE: 07/03/18
 CHECKED BY: [REDACTED]
 DRAWN BY: MRW
 NO. / DATE: 07/03/18
 RELEASED FOR CONSTRUCTION



PREMIER KINGS, INC.
 5529 CARMICHAEL ROAD
 MONTGOMERY, ALABAMA 36117
 PHONE: [REDACTED]
 LINDSEY@PREMIERKINGS.COM

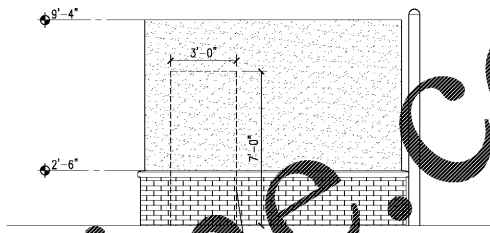
2126 North Avenue
 Birmingham, AL 35203
 Phone: (205) 322-1251
 Fax: (205) 322-1778
 email: info@jhkha.com
 www.jhkha.com

james m. huckestein
 architect, AIA

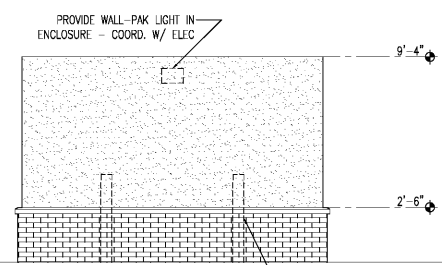
architecture • planning • interior design



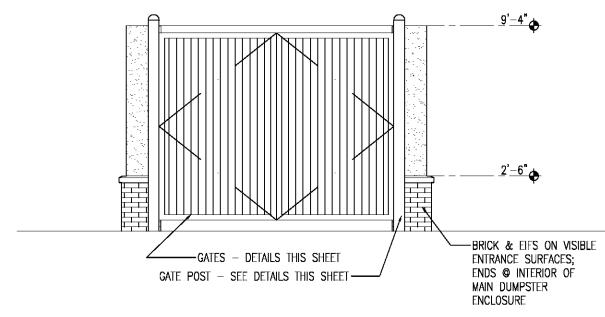
PROJECT # 16026.07
 ROC-60 20/20 IMAGE: APRIL, 2015 DESIGN RELEASE
BURGER KING RESTAURANT
 5300 U.S. Hwy 278
 Covington, GA
 DUMPSTER ELEVATIONS & DETAILS



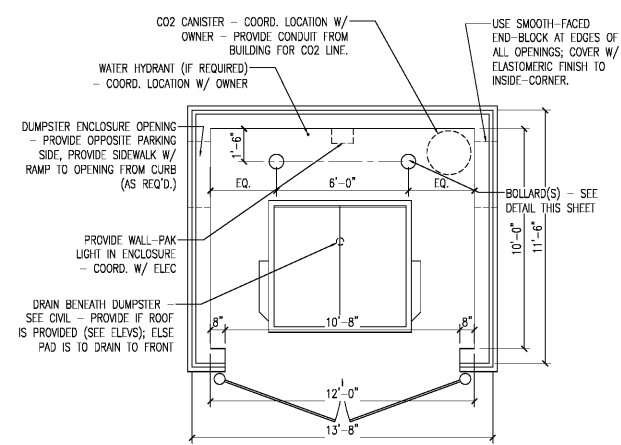
DUMPSTER SIDE ELEV.
 SCALE: 1/4" = 1'-0"



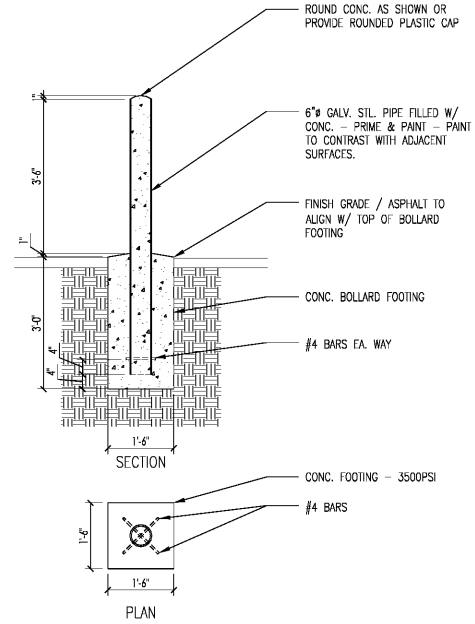
DUMPSTER REAR ELEVATION
 SCALE: 1/4" = 1'-0"



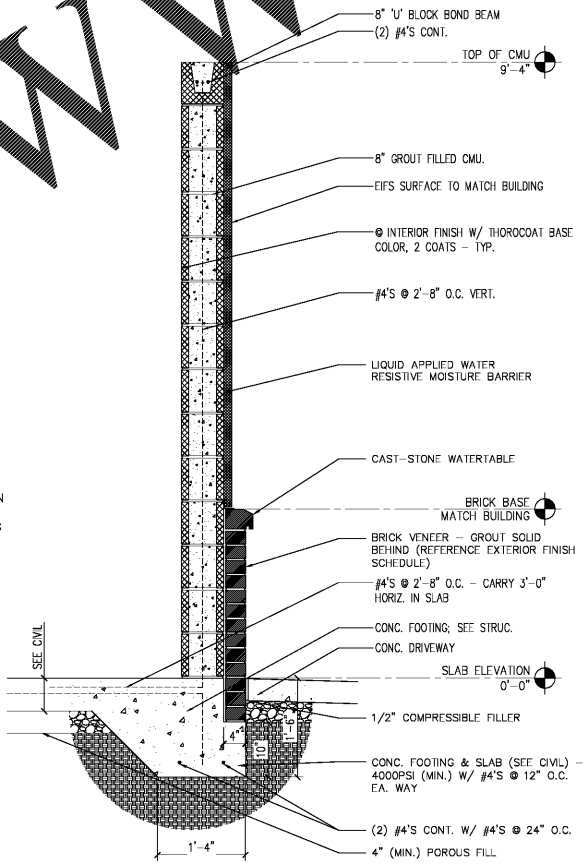
DUMPSTER FRONT ELEVATION
 SCALE: 1/4" = 1'-0"



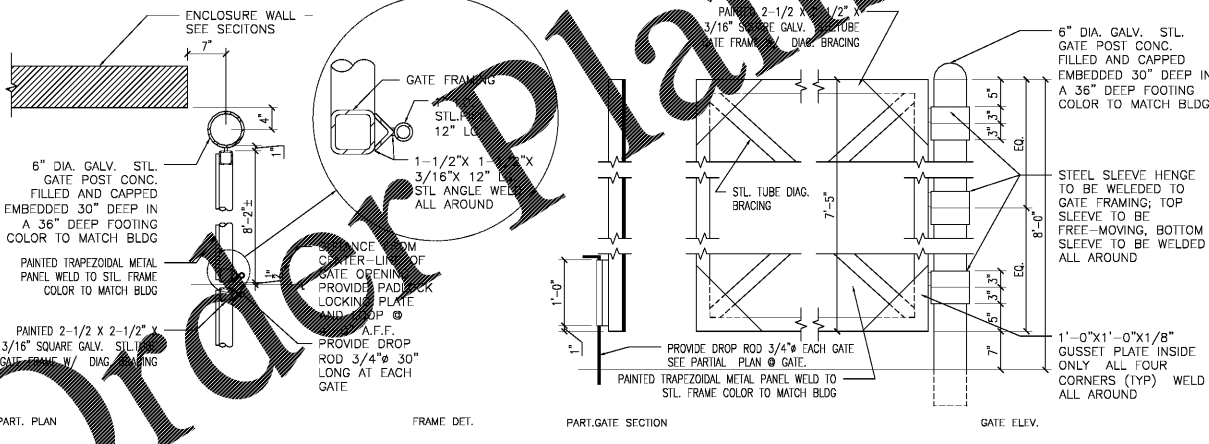
DUMPSTER PLAN
 SCALE: 1/4" = 1'-0"



BOLLARD DETAIL
 SCALE: 1/2" = 1'-0"



SEC. @ FRONT DUMPSTER WALL
 SCALE: 3/4" = 1'-0"



DUMPSTER GATE DETAILS
 SCALE: 3/4" = 1'-0"

Order Plans @

WWW.LDILLINE.COM