

GENERAL ROOFING NOTES:

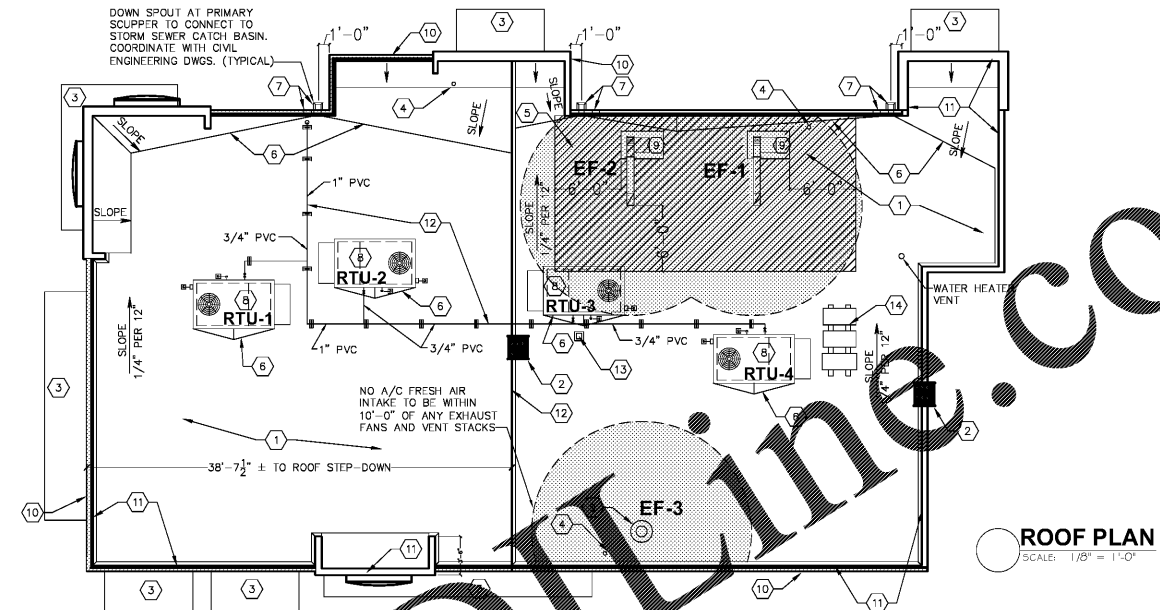
1. ROOFING SUBCONTRACTOR TO COORDINATE LOCATION OF H.V.A.C. UNITS AND ROOF TOP ACCESSORIES WITH STRUCTURAL, MECHANICAL AND ELECTRICAL DRAWINGS FOR PLACEMENT AND TAPERED RIGID INSULATION BOARD LAY-OUT AND SUBSEQUENT INSTALLATION IN ORDER TO AVOID PONDING WATER CONDITIONS ATTRIBUTABLE TO BOARD LAY-OUT ISSUES.
2. ROOF SYSTEMS SPECIFIED SHALL BE APPLIED ONLY BY MANUFACTURER APPROVED APPLICATOR IN ORDER TO MEET GUARANTEE REQUIREMENTS. COORDINATE LOCATION OF MECHANICAL UNITS WITH STRUCTURAL AND MECHANICAL DRAWINGS.
3. COORDINATE LOCATION OF MECHANICAL UNITS WITH STRUCTURAL AND MECHANICAL DRAWINGS.
4. HVAC CONDENSATE LINES TO TERMINATE AT ROOF DRAIN OR AS REQUIRED BY LOCAL CODE.
5. REFER TO STRUCTURAL AND M-E-P DRAWINGS FOR ADDITIONAL INFORMATION.
6. ALL CURBS AND PIPE PENETRATIONS SHALL HAVE A MINIMUM OF 16" CLEAR FROM EACH OTHER FOR ROOF FLASHING PURPOSES. ALL EQUIPMENT SHALL HAVE A MINIMUM OF 16" CLEAR FROM ALL ADJACENT PARAPETS. ALL HVAC MOUNTED EQUIPMENT (DISCONNECT BOXES, GFCI, PIPE SUPPORTS) SHALL NOT BE CLOSER THAN 16" FROM EACH OTHER OR CURB. NO UNSTRUCTURED PIPE SUPPORTS SHALL BE USED AS VERTICAL MEMBERS FOR MOUNTING EQUIPMENT TO ROOF SURFACE.
7. PONDING WATER IS DEFINED AS WATER THAT DOES NOT DRAIN OR DISSIPATE FROM THE ROOF WITHIN 48 HOURS AFTER PRECIPITATION.
8. CONTRACTOR SHALL "SUGAR-IN" ALL ASPHALT, BLEED-OUT ON PILES WITH ADDITIONAL GRANULES TO MATCH EXISTING COLORATION OF THE MINERAL SURFACE CAP SHEET.
9. ALL FLASHING CEMENTS, ASPHALTS, PRODUCTS AND ACCESSORIES SHALL BE APPROVED BY ROOFING MANUFACTURER WITH THE MANUFACTURER'S BRAND. ALL ASPHALTS SHALL BE AMERICAN MANUFACTURED PRODUCTS.

KEYED NOTES:

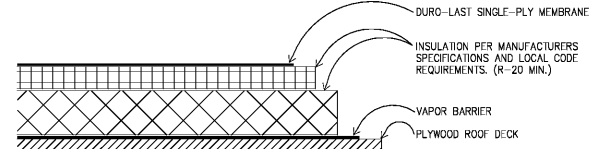
1. SINGLE PLY DURO-LAST ROOFING SYSTEM
2. ROOF ACCESS LADDER, REFERENCE DETAIL, THIS SHEET.
3. PREFABRICATED METAL AWNING OR CANOPY, REFERENCE SHEET A-9.
4. VENT THROUGH ROOF - PROVIDE PREFABRICATED DURO-LAST VENT FLASHING FOR ALL VENTS AND PIPE PENETRATIONS. REFERENCE DETAIL 7, THIS SHEET.
5. INSTALL DURO-LAST SACRIFICE SHEET AS SPECIFIED AT KITCHEN EXHAUST.
6. ROOF CRICKET WITH SLOPE EQUAL TO ROOF, REFER TO DETAIL 3, THIS SHEET.
7. ROOF SCUPPER - REFER TO DETAIL 4, THIS SHEET.
8. ROOFTOP AIR CONDITIONING UNIT - REFER TO MECHANICAL PLANS.
9. EXHAUST FAN - REFER TO MECHANICAL PLANS
10. ILLUMINATED PARAPET LIGHT BAND.
11. METAL COPING
12. ROOF STEP-DOWN - PROVIDE FLASHING AND TRANSITION AS RECOMMENDED BY ROOF MANUF. PROVIDE NOTED LADDER FOR ROOF ACCESS.

GENERAL NOTES:

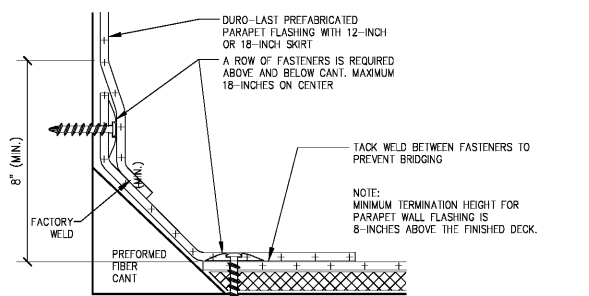
- A. THE ROOF STRUCTURE SHALL NOT BE USED FOR STOCKPILING OF EQUIPMENT OR MATERIALS UNLESS APPROVED BY THE ARCHITECT, STRUCTURAL ENGINEER AND THE JOIST MANUFACTURER.
- B. THE ROOFING SYSTEM SHALL BE AS PER DRAWINGS AND PER MANUFACTURER'S SPECIFICATIONS.
- C. COORDINATE ROOF ELEVATIONS WITH STRUCTURAL DRAWINGS. REFER TO SPECIFICATION SHEET FOR ROOF RELATED ITEMS, INCLUDING GUARANTEES, CURBS, FLASHING, ETC.



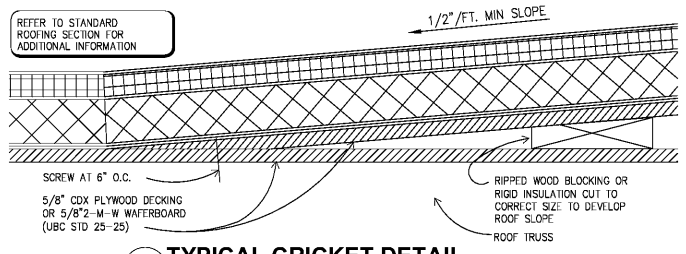
ROOF PLAN
SCALE: 1/8" = 1'-0"



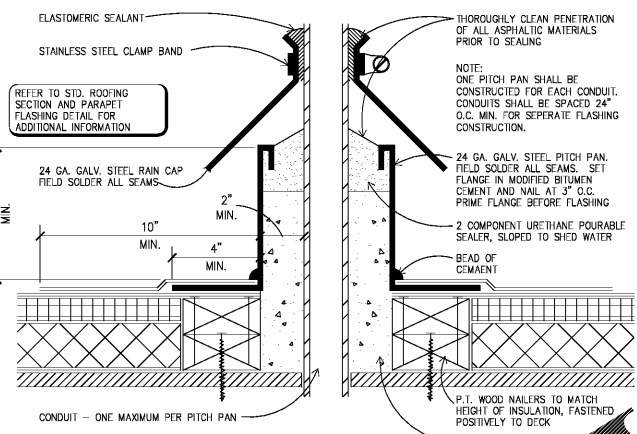
1 STANDARD ROOFING SECTION
SCALE: 3" = 1'-0"



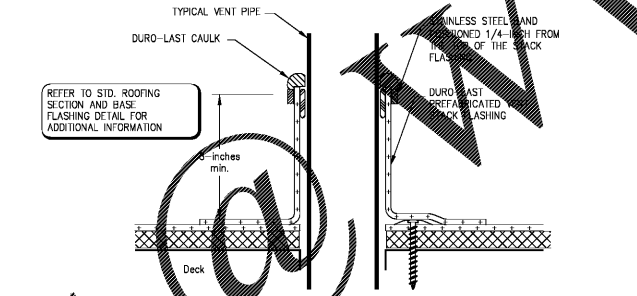
2 STANDARD BASE FLASHING CONFIGURATION
SCALE: 3" = 1'-0"



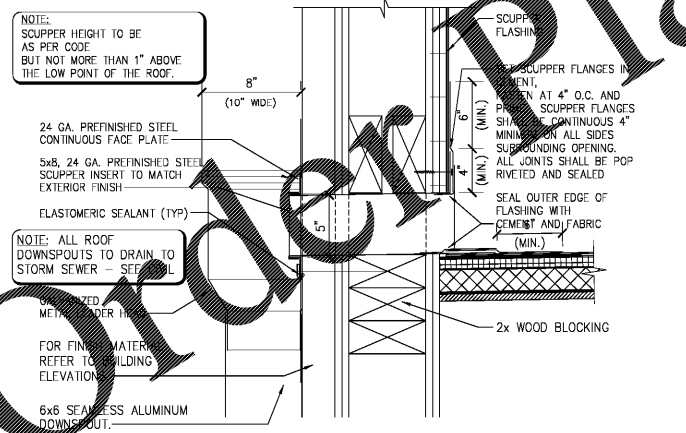
3 TYPICAL CRICKET DETAIL
SCALE: 3" = 1'-0"



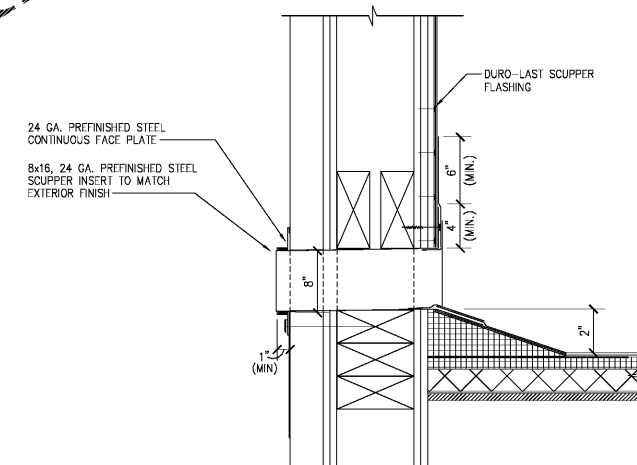
5 PITCH PAN DETAIL
SCALE: 3" = 1'-0"



6 SOIL PIPE FLASHING DETAIL
SCALE: 3" = 1'-0"

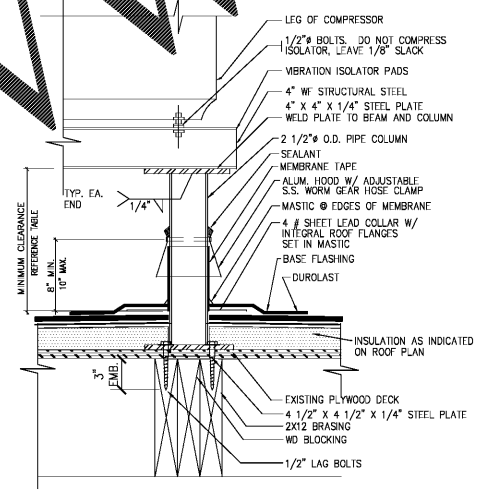


4 PRIMARY SCUPPER & ROOF GUTTER DETAIL
SCALE: 3" = 1'-0"



7 OVERFLOW SCUPPER DETAIL
SCALE: 3" = 1'-0"

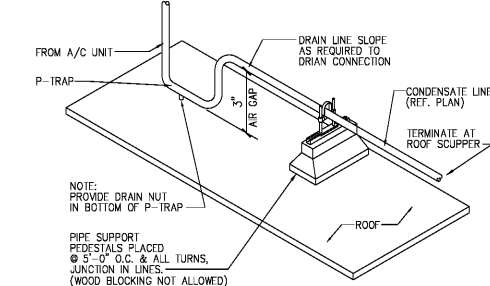
NOTE
ALL ROOFING DETAILS TO BE VERIFIED AND COORDINATED WITH MANUFACTURER'S SPECIFICATIONS AND WARRANTIES.



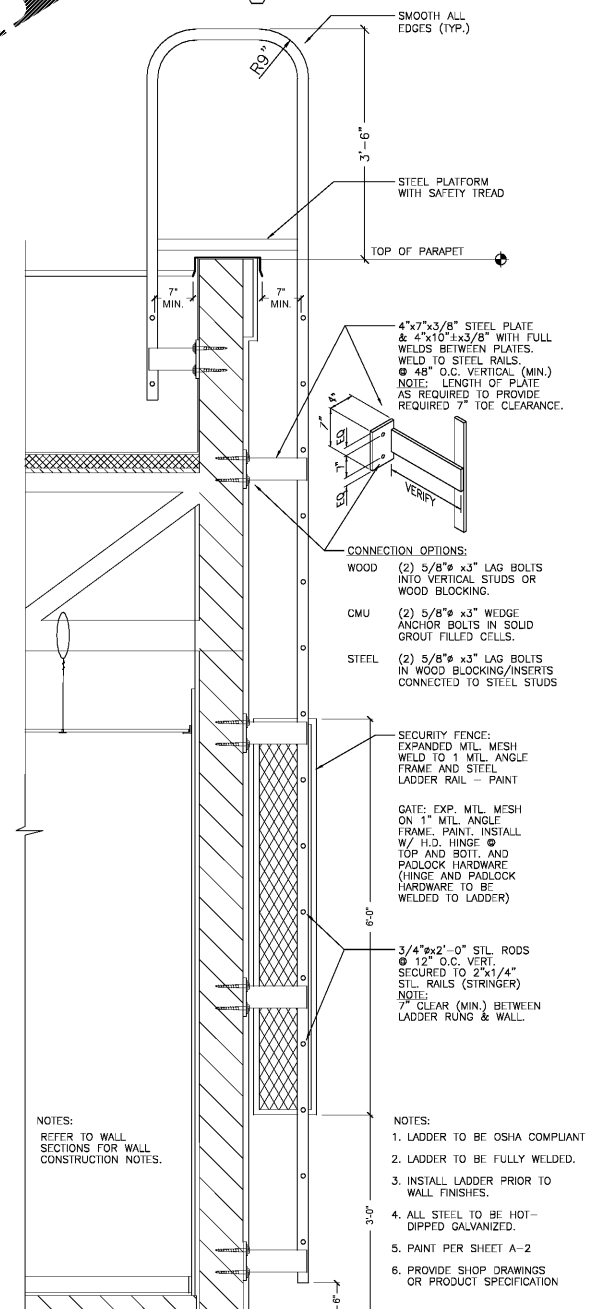
9 EQUIPMENT STAND DETAIL
SCALE: NONE

VERIFY W/ EQUIPMENT SUPPLIER IF IN CONTRACT.
CLEARANCE BELOW RAISED ROOF MOUNTED MECHANICAL UNITS (INCHES)

WIDTH OF UNIT	MINIMUM CLEARANCE ABOVE ROOF SURFACE
< 24	14
24 < 36	18
36 < 48	24
48 < 60	30
> 60	48



8 CONDENSATE LINE SUPPORT DETAIL
SCALE: NONE



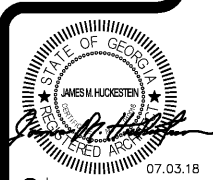
10 ROOF LADDER DETAIL
SCALE: 3/4" = 1'-0"



PREMIER KINGS, INC.
5529 CARMICHAEL ROAD
MONTGOMERY, ALABAMA 36117
PHONE: (205) 322-1778
WWW.BKRESTAURANTS.COM

2126 Monte Avenue, S.W.
Atlanta, GA 30329
Phone: (404) 322-1251
Fax: (404) 322-1778
Email: info@jamesm.com
www.jamesm.com

james m. huckestein
architect AIA
architecture • planning • interior design



PROJECT # 16026.07
ROC-60 20/20 WAIVER: APRIL 2015 DESIGN RELEASE
BURGER KING RESTAURANT
5300 U.S. Hwy 278
Covington, GA