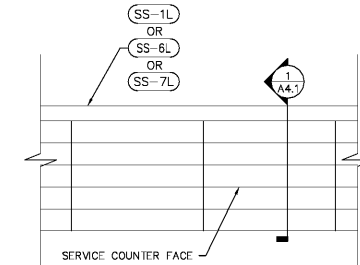
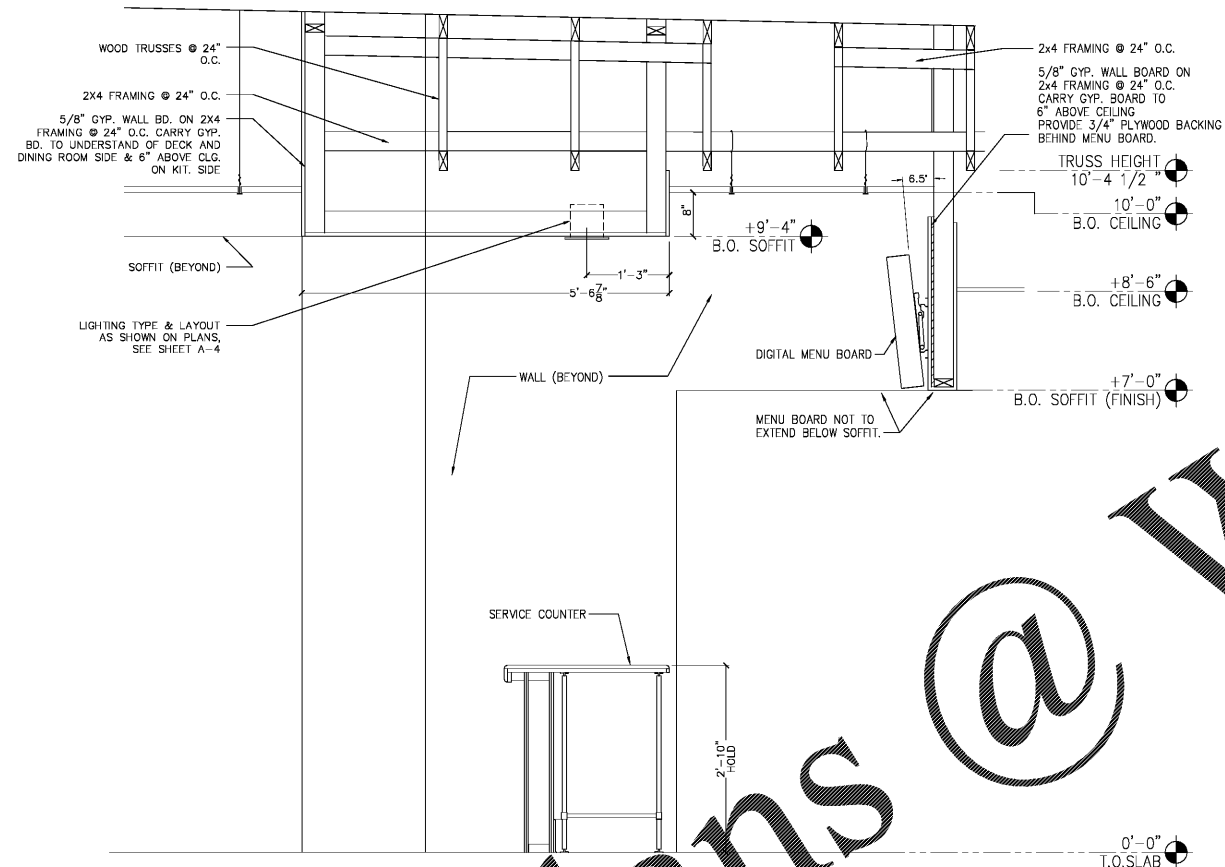


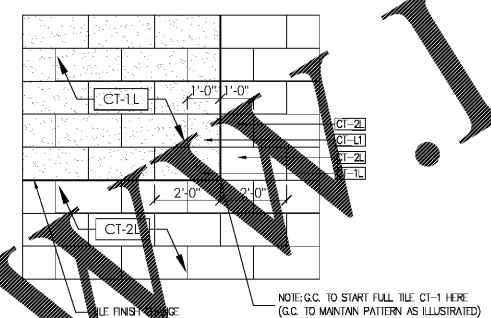
1 SERVICE COUNTER SECTION
SCALE: 1 1/2" = 1'-0"



4 NOT USED
SCALE: 3/4"=1'-0"

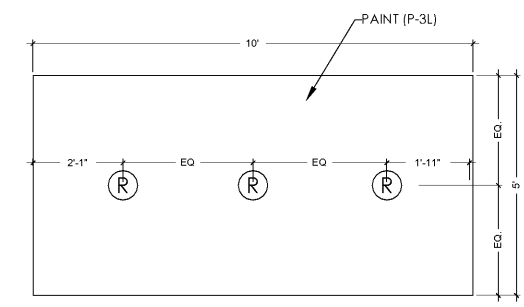


CUSTOMER SIDE COUNTER ELEVATION
SCALE: 1/2" = 1'-0"

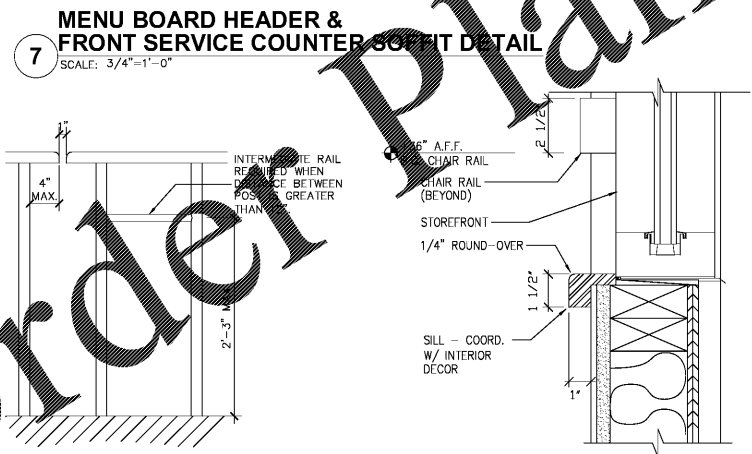


5 NOT USED
SCALE: 3/4"=1'-0"

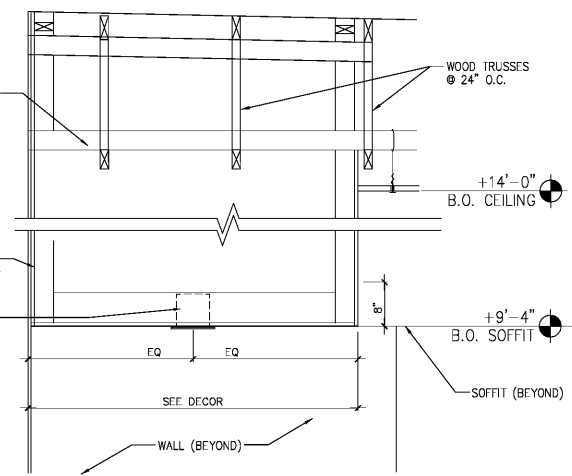
TILE PATTERN DETAIL
SCALE: 3/4"=1'-0"



9 BEVERAGE STATION SOFFIT DETAIL
SCALE: 1/2" = 1'-0"



7 MENU BOARD HEADER & FRONT SERVICE COUNTER SOFFIT DETAIL
SCALE: 3/4"=1'-0"



10 BEVERAGE STATION SOFFIT DETAIL
SCALE: 3/4"=1'-0"
SUSPENDED ACOUSTICAL CEILING CONDITION.

NOTE:
COORDINATE ALL REFLECTING CEILING PLAN ELEMENTS WITH THE INTERIOR DECOR DRAWINGS PROVIDED AS PART OF THIS SET. DETAILS, DECORATIVE LIGHT PLACEMENT, AND OTHER SUCH ITEMS ARE TO BE AS SHOWN ON INTERIOR DECOR.

Order Plans

8 QUEUE RAIL DETAIL
SCALE: 1" = 1'-0"

9 SILL & CHAIR RAIL
SCALE: N.T.S.

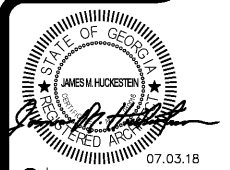
DATE: 07/03/18
DRAWN BY: MRW
NO. DATE: 07/03/18
CHECKED BY: JLS
RELEASED FOR CONSTRUCTION



PREMIER KINGS, INC.
5529 CARMICHAEL ROAD
MONTGOMERY, ALABAMA 36117
PHONE: (205) 833-1111
LINDSEY@KALABAMA.COM

2126 Monts Avenue
Montgomery, AL 36103
Phone: (205) 322-1751
Fax: (205) 322-1778
email: info@jphlha.com
www.jphlha.com

james m. huckestein architect AIA
architecture • planning • interior design



PROJECT # 16026.07
ROC-60 20/20 IMAGE: APRIL 2015 DESIGN RELEASE
BURGER KING RESTAURANT
5300 U.S. Hwy 278
Covington, GA
DETAILS