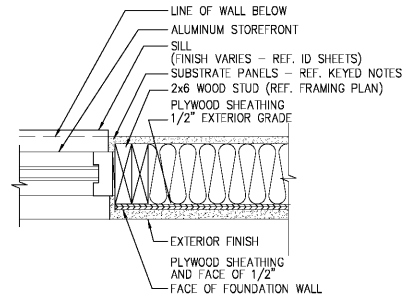
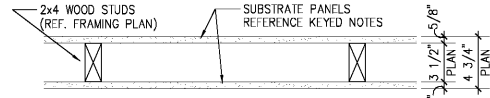


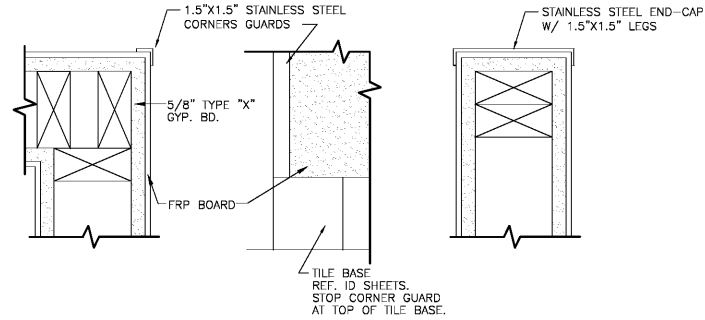
1 PLAN DETAIL
SCALE: 1-1/2" = 1'-0"



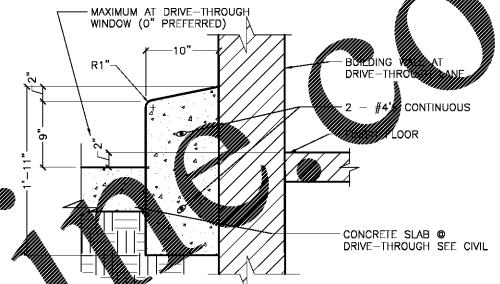
2 PLAN DETAIL
SCALE: 1-1/2" = 1'-0"



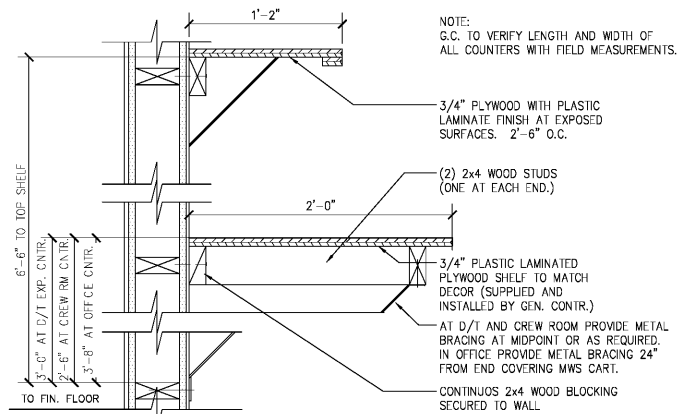
3 TYPICAL INTERIOR PARTITION
SCALE: 1-1/2" = 1'-0"



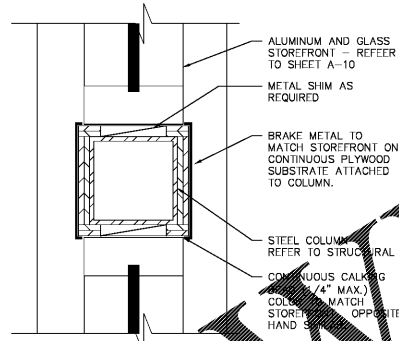
4 CORNER GUARD & END-CAP DETAILS
SCALE: 1-1/2" = 1'-0"



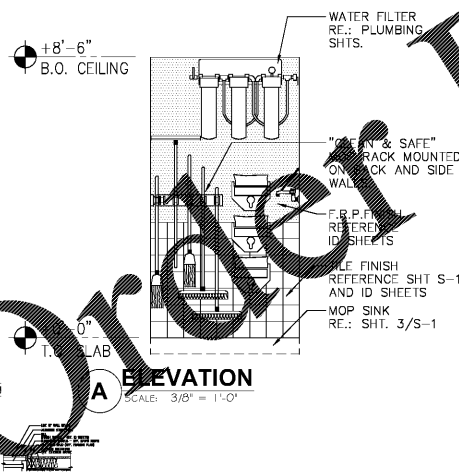
5 BARRIER CURB DETAIL
SCALE: 1" = 1'-0"



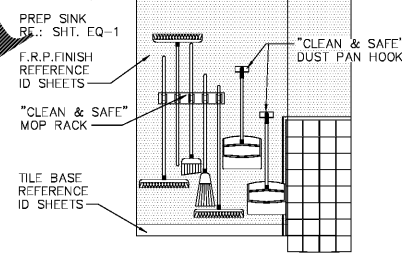
6 OFFICE COUNTER DETAIL
SCALE: 1-1/2" = 1'-0"



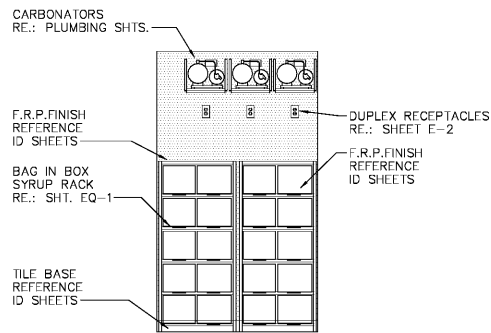
7 COLUMN BRAKE METAL ENCLOSURE
SCALE: 3" = 1'-0"



A ELEVATION
SCALE: 3/8" = 1'-0"



B ELEVATION
SCALE: 3/8" = 1'-0"



C ELEVATION
SCALE: 3/8" = 1'-0"

PROJECT # 16026-07
 BURGER KING RESTAURANT
 5300 U.S. Hwy 278
 Covington, LA



PREMIER KINGS, INC.
 5529 CARMICHAEL ROAD
 MONTEGOMERY, ALABAMA 36117
 PHONE: (205) 833-1778
 EMAIL: info@pkalabama.com
 WWW.PKALABAMA.COM

2126 Morris Avenue
 Birmingham, AL 35203
 Phone: (205) 322-1751
 Fax: (205) 322-1778
 Email: info@huckestein.com
 www.huckestein.com

james m. huckestein
 architect AIA
 architecture • planning • interior design



PROJECT # 16026-07
 BURGER KING RESTAURANT
 5300 U.S. Hwy 278
 Covington, LA