

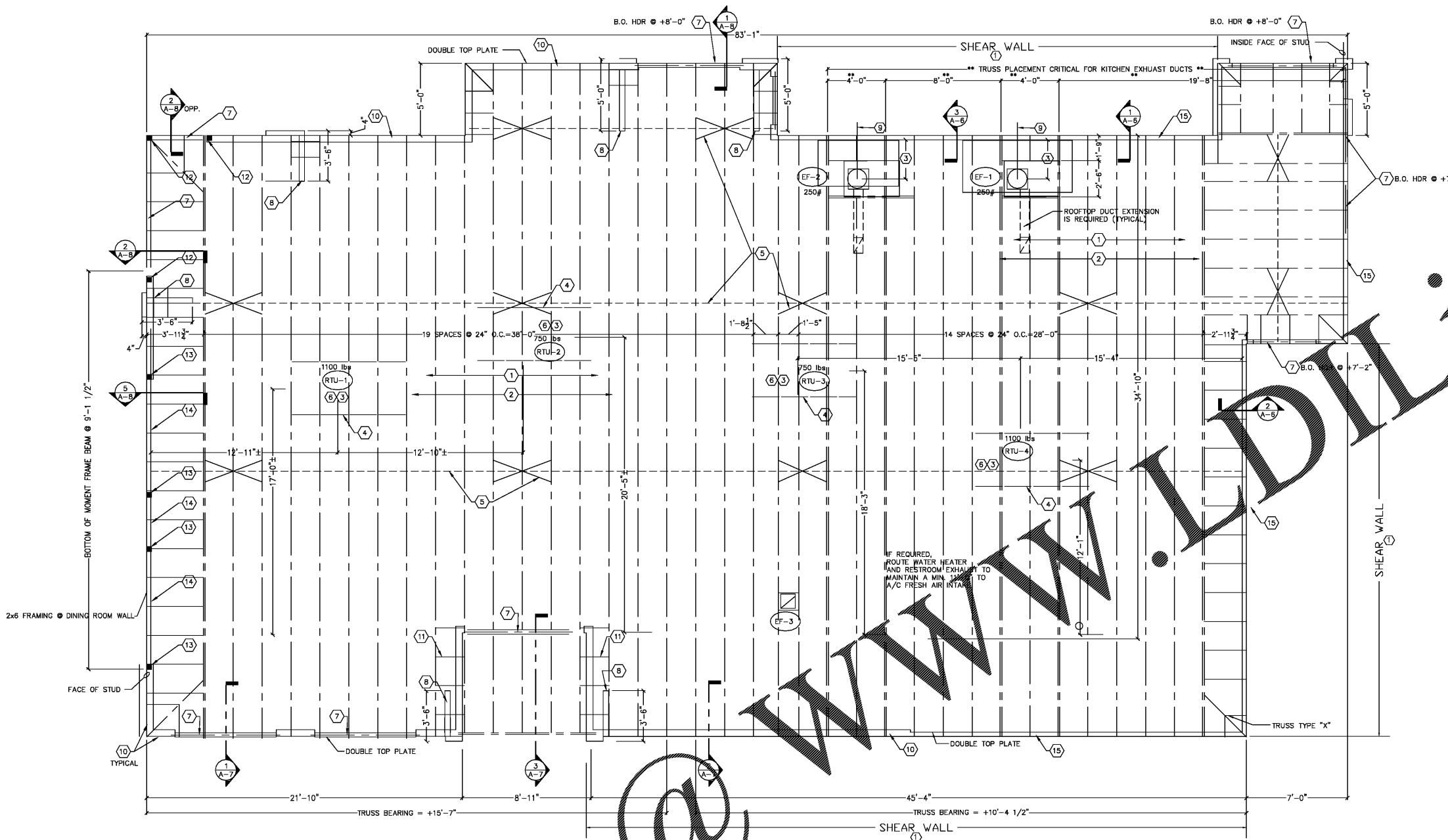


GENERAL NOTES:

- A. ROOF OPENINGS FOR A/C DUCTS. CONTRACTOR SHALL BE RESPONSIBLE FOR COORDINATION WITH MFR. AND SUBMIT SHOP DRAWINGS FOR INSTALLATION.
- B. IF REMEDIATION PRESSURES ARE USED, CONTRACTOR SHALL COORDINATE WITH ALL MECHANICAL EQUIPMENT MANUFACTURER.
- C. SEE SHEET A-1 FOR DETAIL OF SCUPPERS, ROOF DRAINS, ROOF PENETRATIONS AND PITCH PANS. REFER TO MECHANICAL SHEETS FOR RTU MOUNTING DETAILS. STRUCTURAL DESIGN CRITERIA: REFER TO GENERAL NOTE, SHEET S-3.
- F. TRUSS MANUF. TO SUBMIT SHOP DRAWINGS FOR APPROVAL, PRIOR TO FABRICATION.
- G. REFERENCE SHEET S-3 FOR DETAILS OF TRUSS PROFILES.
- H. ALL HORIZ. FRAMING LUMBER, INCLUDING 2x JOISTS, BEAMS AND HEADERS SHALL BE DENSE NO. 2 DOUGLAS FIR-LARCH OR BETTER.
- I. ALL WOOD STUDS SHALL BE STRUCTURAL NO. 2 SOUTHERN PINE OR BETTER.
- J. ALL BEAM SPLICES SHALL OCCUR OVER SUPPORT COLUMNS.
- K. VERIFY EXACT LOCATIONS OF MECHANICAL UNITS WITH MECHANICAL CONTRACTOR.
- L. ROOF TRUSSES TO BE 2'-6" MAX. IN DEPTH. IF DEEPER ROOF TRUSSES ARE REQUIRED, PLEASE NOTIFY ARCHITECT IMMEDIATELY.
- M. WHERE MULTIPLE TRUSSES ARE INDICATED, TOP CHORDS SHALL BE BOLTED WITH 1/2" DIAMETER BOLTS AT 4'-0" O.C., OR AS SPECIFIED BY THE TRUSS MANUFACTURER.
- N. REFERENCE SHEET S-3 FOR STRUCTURAL NOTES.

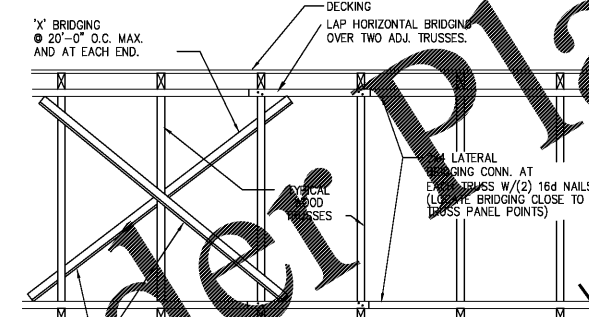
KEYED NOTES:

- 1 5/8" CDX PLYWOOD SHEATHING. REFER TO ROOF DIAPHRAGM NAILING NOTE ON THIS SHEET.
- 2 PREFAB. WOOD TRUSSES AT 2'-0" O.C. MAX. (TYP) UNLESS NOTED
- 3 ROOF OPENING FOR MECHANICAL SYSTEMS, REF. TO MECH. SHEETS FOR SIZE OF ROOF PENETRATIONS.
- 4 (2) 2x8 BETWEEN TRUSSES WITH SIMPSON JOIST HANGER EACH END
- 5 WOOD BRIDGING. REFERENCE DETAIL 01/S-2
- 6 REFER TO M-2 FOR A/C CURB MOUNTING DETAIL.
- 7 WOOD HEADER (2) 2x12 WITH 1/2" PLYWOOD SPACER WITH DOUBLE STUDS AT EACH END OF OPENING (4" MIN. BEARING)
- 8 PROVIDE 2x4 FRAMED RETURN WALL AT RAISED PARAPET TOWER ELEMENT. REFER TO DETAILS #3 AND #4, SHEET A-8
- 9 CENTER LINE OF EXHAUST DUCT. VERIFY LOCATION IN FIELD. VERIFY DUCT SIZE WITH MANUFACTURER.
- 10 WALL FRAMING TO BE 2X6 @ 16" O.C.
- 11 2x4 BLOCKING @ 24" O.C. AT BOTTOM CHORD OF TRUSS FOR BRACING OF NON-LOAD BEARING EXTERIOR WALLS.
- 12 HSS 3"x3"x3/8" STEEL COLUMN.
- 13 HSS 5"x5"x3/8" STEEL COLUMN.
- 14 HSS 6"x4"x3/8" STEEL BEAM-CONTINUOUS OVER TOP OF INTERIOR COLUMNS. ALL CONNECTIONS TO BE FULLY WELDED. SEE DETAIL 2 THIS SHEET. SUBMIT SHOP DRAWING FOR APPROVAL. COORDINATE TOP OF STEEL WITH TRUSS BEARING.
- 15 WALL FRAMING TO BE 2X4 @ 16" O.C.



ROOF FRAMING PLAN
SCALE: 1/8" = 1'-0"

NOTE TO GENERAL CONTRACTOR:
WHERE THE CEILING IS NOT TO BE ATTACHED DIRECTLY TO THE UNDERSIDE OF THE TRUSSES, THE TRUSSES SHALL BE Laterally BRACED WITH CONTINUOUS 1" X 4" MEMBERS NAILED TO THE UPPER SIDE OF THE BOTTOM CHORD AT A MAXIMUM OF 6'-0" ON CENTER WITH TWO(2)-16d COMMON NAILS AT EACH INTERSECTION. THIS LATERAL BRACING SHALL BE RESTRAINED AT EACH END AND AT 20'-0".

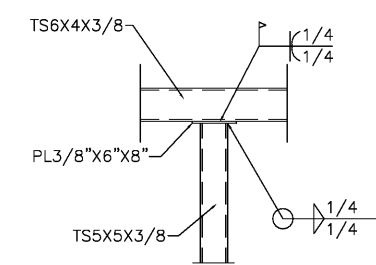


1 BRIDGING DETAIL
SCALE: NONE

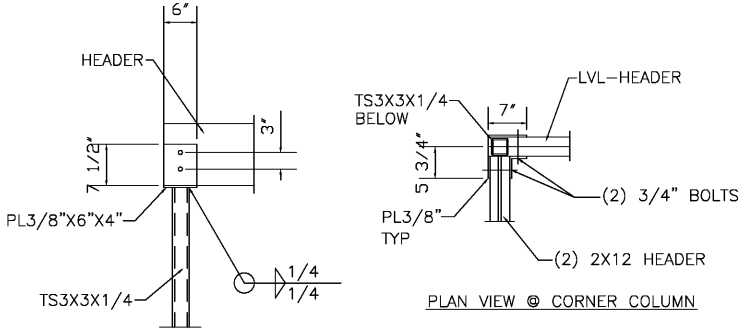
SHEAR WALL SCHEDULE

WALL	LENGTH	HOLD DOWNS	SHEATHING	NAILING PATTERN
1	SEE PLAN	HD7B	S-1	N-1
2	SEE PLAN	HD9B	S-1	N-1
3	SEE PLAN	HD12	S-2	N-2
4	SEE PLAN	HD9B	S-2	N-2
5	SEE PLAN	HD12	S-2	N-2
6	SEE PLAN	HD12	S-2	N-2
7	SEE PLAN	HD9B	S-1	N-1
8	SEE PLAN	HD5B	S-1	N-1

NOTES:
SHEATHING:
S-1 - 1/2" PLYWOOD, ALL PANEL EDGES BLOCKED
S-2 - 1/2" STRUCTURAL I PLYWOOD, ALL PANEL EDGES BLOCKED
NAILING:
N-1 - 8d NAILS @ 4" O.C. AT ALL PANEL EDGES AND 6" O.C. AT INTERMEDIATE SUPPORTS.
N-2 - 8d NAILS @ 2" O.C. AT ALL PANEL EDGES AND 6" O.C. AT INTERMEDIATE SUPPORTS.
PROVIDE 6x6 POST OR PACKED STUDS AT EACH END OF SHEAR WALL FOR HOLDOWN ATTACHMENT.
PROVIDE ANCHOR BOLTS PER SIMPSON REQUIREMENTS.
ROOF DIAPHRAGM:
USE 5/8" APA RATED SHEATHING, 8d NAILS AT 6" O.C. AT PANEL EDGES & 12" O.C. AT INTERMEDIATE SUPPORTS.



2 STEEL TUBE TO COLUMN CONNECTION
SCALE: NONE



3 HEADER TO COLUMN CONNECTION
SCALE: NONE

DRAWN BY: MRW
CHECKED BY: J. GIBSON
DATE: 08/21/18
RELEASED FOR CONSTRUCTION: END



PREMIER KINGS, INC.
5529 CARMICHAEL ROAD
MONTOMOERY, ALABAMA 36117
PHONE: (205) 836-1111
LINDSEY@BKBALABAMA.COM

2126 Morris Avenue
Birmingham, AL 35203
Phone: (205) 322-1751
Fax: (205) 322-1778
email: info@huckestein.com
www.huckestein.com

james m. huckestein architect AIA
architecture • planning • interior design

PROJECT #: 16026.07
RCC-60 20/20 IMAGE: APRIL 2015 DESIGN RELEASE
BURGER KING RESTAURANT
5300 U.S. Hwy 278
Covington, GA
ROOF FRAMING PLAN AND DETAILS