

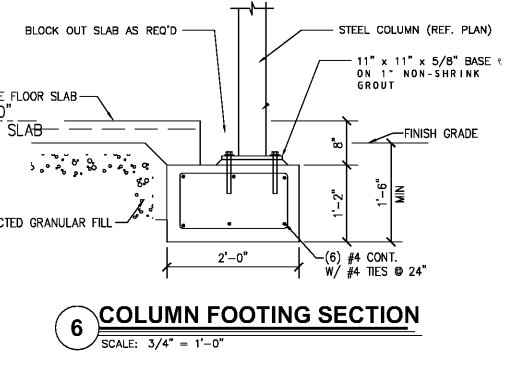
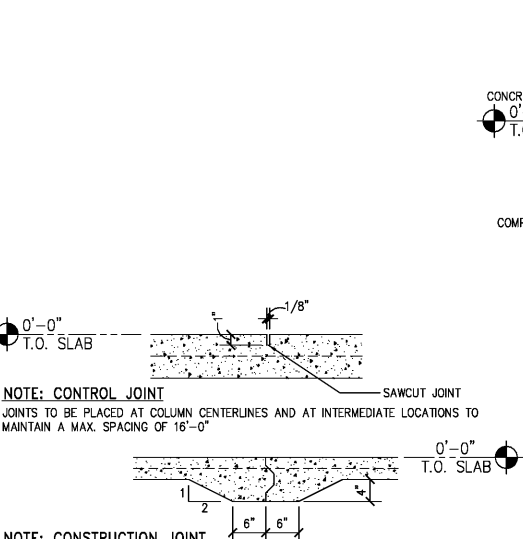
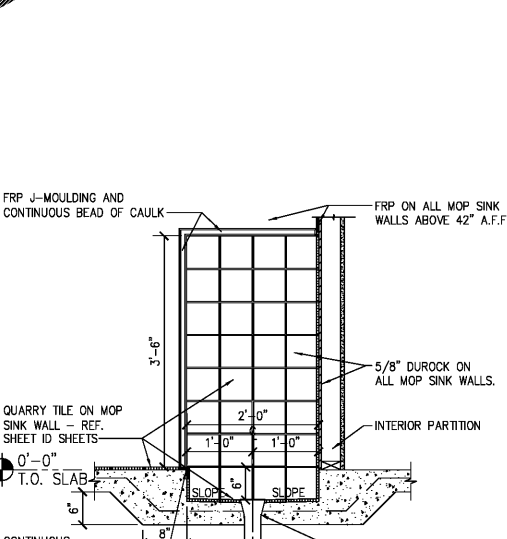
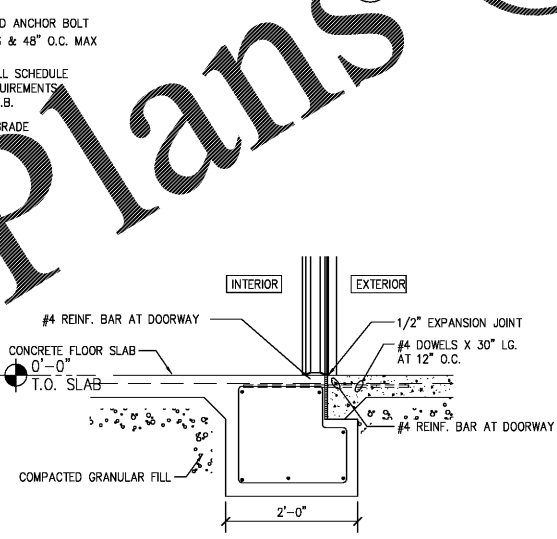
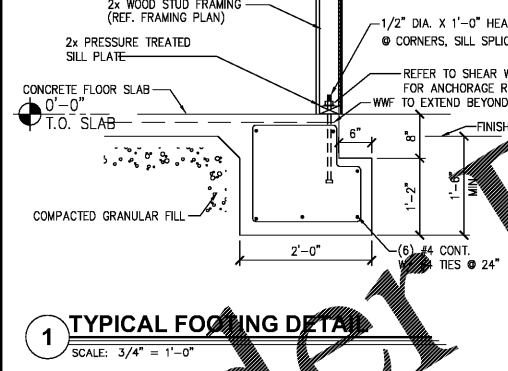
GENERAL NOTES:

- A. FOUNDATION PLAN WAS BASED ON GEOTECHNICAL REPORT PREPARED BY CONTOUR ENGINEERING, DATED APRIL 14, 2017, PROJECT G17PMK01. CONTRACTOR SHALL OBTAIN A COPY AND FOLLOW ALL REQUIREMENTS AND RECOMMENDATIONS.
- B. ALL FOOTING EXCAVATIONS SHALL BE INSPECTED AND APPROVED BY A QUALIFIED SOILS ENGINEER REPRESENTING THE OWNER PRIOR TO POURING CONCRETE. EXCAVATIONS SHALL BE FREE OF WATER AT ALL TIMES.
- C. NO ENGINEERED FILL SHALL BE PLACED UNTIL EXCAVATION BOTTOMS HAVE BEEN INSPECTED AND APPROVED BY A SOILS ENGINEER.
- D. BACKFILLING OF FOUNDATION WALLS SHALL BE DONE SIMULTANEOUSLY SO AS TO PREVENT SETTLEMENT OR LATERAL MOVEMENT OF WALLS. ALL FILL OF BACKFILL SHALL BE SETTLED BY THE USE OF WATER.
- E. SEE SHEET S-3 FOR STRUCTURAL NOTES.
- F. SEE ELECTRICAL SHEETS FOR LOCATIONS OF UNDERGROUND CONDUIT.
- G. SEE PLUMBING PLAN FOR LOCATIONS OF UNDERGROUND PIPING.
- H. ALL CONTINUOUS FOOTINGS SHALL BE CENTERED UNDER FOUNDATION WALLS UNLESS NOTED OTHERWISE.
- I. SOILS CONTRACTOR SHALL REFER AND CONFORM TO ALL RECOMMENDATIONS AND FINDINGS AS SET FORTH IN THE SOILS GEOLOGICAL REPORT. THE OWNER AND/OR ARCHITECT ACCEPTS NO RESPONSIBILITY FOR THE ACCURACY OF THE FINDINGS, OR FOR THE FINAL RECOMMENDATIONS, GRADING, TRENCHING, ETC. - CONTACT OWNER FOR INSTRUCTIONS PRIOR TO THE CONTINUATION OF WORK SHOULD ANY UNUSUAL CONDITIONS BECOME APPARENT DURING GRADING OR FOUNDATION CONSTRUCTION. EXISTING ELEVATIONS AND LOCATIONS TO BE JOINED SHALL BE VERIFIED BY THE CONTRACTOR PRIOR TO CONSTRUCTION. IF THEY DIFFER FROM THOSE SHOWN ON THE DRAWINGS, THE CONTRACTOR SHALL NOTIFY THE OWNER SO THAT MODIFICATIONS CAN BE MADE BEFORE PROCEEDING WITH THE WORK.

KEYED NOTES:

- 1 24" WIDE x 22" DEEP CONTINUOUS CONCRETE FOOTING. SEE SECTION 1 FOR REINFORCING & BRICK LEDGE.
- 2 NOT USED
- 3 PLACE SLAB THRU AT OPENINGS, SEE DETAIL 2 THIS SHEET.
- 4 PROVIDE 12" DEEP (4" A.F.F.) FOR FURR-OUT ELEMENTS AT TOWERS. CURB WIDTH TO BE DETERMINED BY FINISH FURR-OUT WIDTH. REFER TO SHEET A-1 FOR REQUIRED WIDTH.
- 5 4" CONCRETE SLAB WITH 6x6-W1.4xW1.4 W.W.F. AT MID DEPTH OVER 6 MIL VAPOR BARRIER OVER 4" GRANULAR FILL.
- 6 CONTROL/CONSTRUCTION JOINTS, SEE DETAIL 4 THIS SHEET.
- 7 4'x4' AREA SLOPED TO DRAIN @ 2% (TYP.). COORDINATE LOCATIONS WITH PLUMBING.
- 8 6"x 8"-0" STEEL BOLLARD, FILL WITH CONCRETE, TOP OF BOLLARD AT 5'-0" ABOVE SURFACE OF PAVING WITH 24"x 3'-0" DEEP CONCRETE FOOTING
- 9 NOT USED
- 10 HSS 3"x3"x3/8" STEEL COLUMN - REFERENCE 6/S-1.
- 11 HSS 5"x5"x3/8" STEEL COLUMN - REFERENCE 6/S-1.

FOUNDATION PLAN
 SCALE: 1/4" = 1'-0"



Order Plans

WWW.LDILINC.COM

CHECKED BY: [Signature]
 DATE: 06/21/18
 DRAWN BY: MRW
 DATE: 06/21/18
 RELEASED FOR CONSTRUCTION



PREMIER KINGS, INC.
 5529 CARMICHAEL ROAD
 MONTGOMERY, ALABAMA 36117
 PHONE: [Number]
 LINDSEY@BKALABAMA.COM

2126 Morris Avenue
 Birmingham, AL 35203
 Phone: (205) 322-1751
 Fax: (205) 322-1778
 Email: info@hblha.com
 www.hblha.com

james m. huckestein architect AIA
 architecture • planning • interior design

PROJECT # 16026.07
 ROC-60 20/20 IMAGE: APRIL 2015 DESIGN RELEASE
BURGER KING RESTAURANT
 5300 U.S. Hwy 278
 Covington, GA
 FOUNDATION PLAN AND DETAILS