

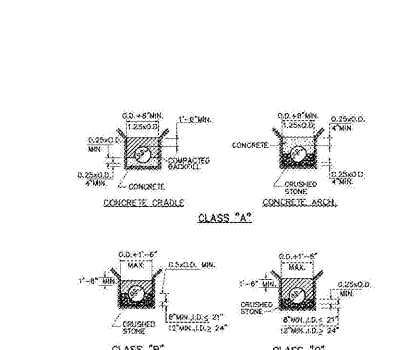
TABLE 6
DIMENSIONS AND REINFORCING FOR GRAVITY THRUST BLOCK CONSTRUCTION

FITTING (DIA. IN.)	W (MIN)	X (MIN)	MAIN REIN.	
			M-BARS EA SIDE	M-BARS TOTAL
6 TO 10	2'-0"	12"	2-#5	4-#5
12 TO 14	2'-6"	12"	2-#5	4-#5
16	3'-0"	12"	2-#5	4-#5

CITY OF COVINGTON
WATER SYSTEM DETAIL
GRAVITY THRUST BLOCK CONSTRUCTION

City of Covington
Engineering Department
City Building 1200
Covington, Georgia 30020

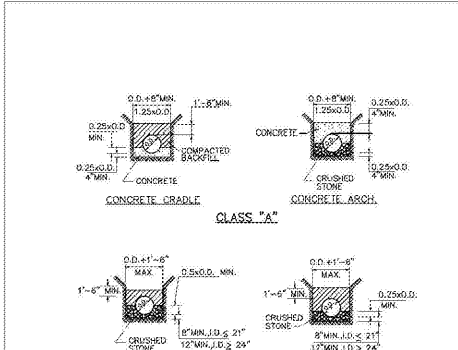
DRAWN BY: EFT
CHECKED BY: [Signature]
DATE: 6/1/02
REVISED: 4/11



CITY OF COVINGTON
WATER SYSTEM DETAIL
BEDDING CLASSES

City of Covington
Engineering Department
City Building 1200
Covington, Georgia 30020

DRAWN BY: EFT
CHECKED BY: [Signature]
DATE: 6/1/02
REVISED: 4/11



CITY OF COVINGTON
SANITARY SEWER SYSTEM DETAIL
BEDDING CLASSES

City of Covington
Engineering Department
City Building 1200
Covington, Georgia 30020

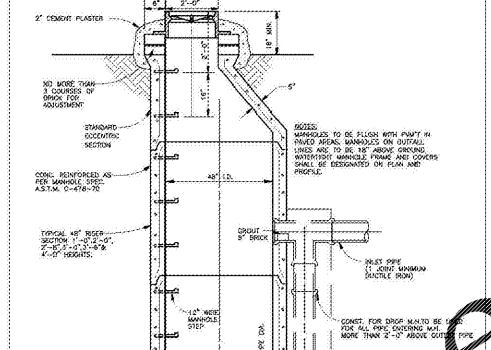
DRAWN BY: EFT
CHECKED BY: [Signature]
DATE: 6/1/02
REVISED: 4/11

PIPE CLASS	MINIMUM DEPTH	MINIMUM DEPTH IN SOFT SOILS	MINIMUM DEPTH IN ROCKY SOILS
8" PVC AND TRUSS	ALL	16"	-
10" PVC AND TRUSS	16" TO 30"	18"	-
12" PVC AND TRUSS	18" TO 30"	20"	-
14" PVC AND TRUSS	18" TO 30"	22"	-
16" PVC AND TRUSS	18" TO 30"	24"	-
18" PVC AND TRUSS	18" TO 30"	26"	-
20" PVC AND TRUSS	18" TO 30"	28"	-
24" PVC AND TRUSS	18" TO 30"	30"	-
30" PVC AND TRUSS	18" TO 30"	32"	-
36" PVC AND TRUSS	18" TO 30"	34"	-
42" PVC AND TRUSS	18" TO 30"	36"	-
48" PVC AND TRUSS	18" TO 30"	38"	-
54" PVC AND TRUSS	18" TO 30"	40"	-
60" PVC AND TRUSS	18" TO 30"	42"	-
66" PVC AND TRUSS	18" TO 30"	44"	-
72" PVC AND TRUSS	18" TO 30"	46"	-
78" PVC AND TRUSS	18" TO 30"	48"	-
84" PVC AND TRUSS	18" TO 30"	50"	-
90" PVC AND TRUSS	18" TO 30"	52"	-

CITY OF COVINGTON
SANITARY SEWER SYSTEM DETAIL
MAXIMUM TRENCH DEPTHS

City of Covington
Engineering Department
City Building 1200
Covington, Georgia 30020

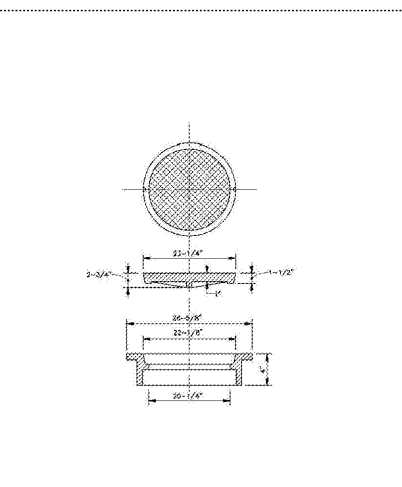
DRAWN BY: EFT
CHECKED BY: [Signature]
DATE: 6/1/02
REVISED: 4/11



CITY OF COVINGTON
SANITARY SEWER SYSTEM DETAIL
STANDARD MANHOLE

City of Covington
Engineering Department
City Building 1200
Covington, Georgia 30020

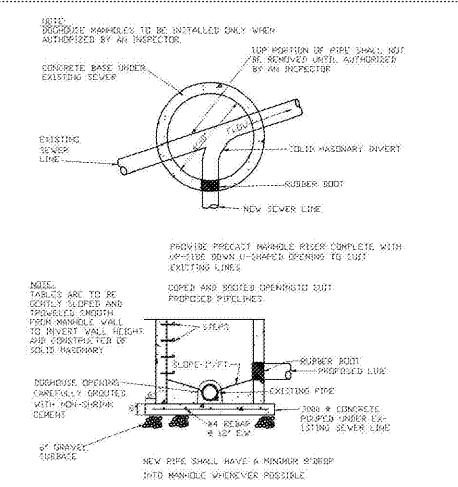
DRAWN BY: EFT
CHECKED BY: [Signature]
DATE: 6/1/02
REVISED: 4/11



CITY OF COVINGTON
SANITARY SEWER SYSTEM DETAIL
TRAFFIC FRAME & COVER

City of Covington
Engineering Department
City Building 1200
Covington, Georgia 30020

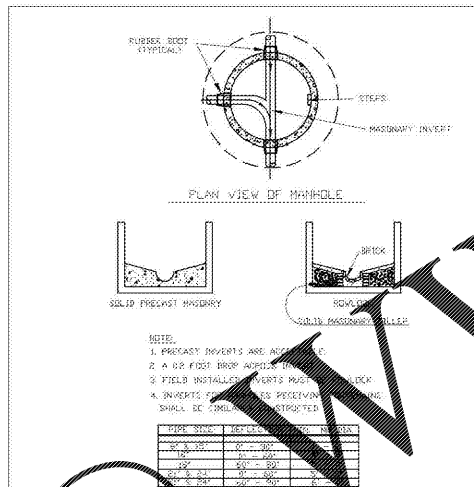
DRAWN BY: EFT
CHECKED BY: [Signature]
DATE: 6/1/02
REVISED: 4/11



CITY OF COVINGTON
SANITARY SEWER SYSTEM DETAIL
DOGHOUSE MANHOLE

City of Covington
Engineering Department
City Building 1200
Covington, Georgia 30020

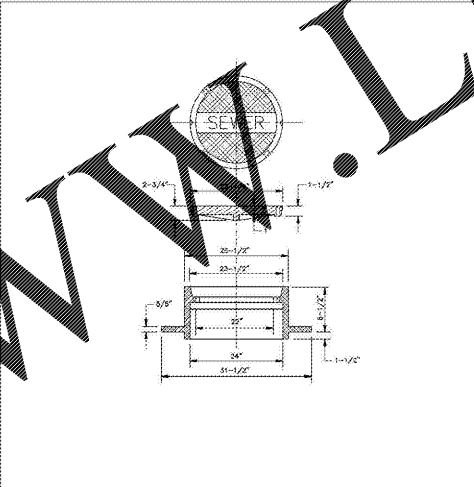
DRAWN BY: EFT
CHECKED BY: [Signature]
DATE: 6/1/02
REVISED: 4/11



CITY OF COVINGTON
SANITARY SEWER SYSTEM DETAIL
STANDARD INVERT

City of Covington
Engineering Department
City Building 1200
Covington, Georgia 30020

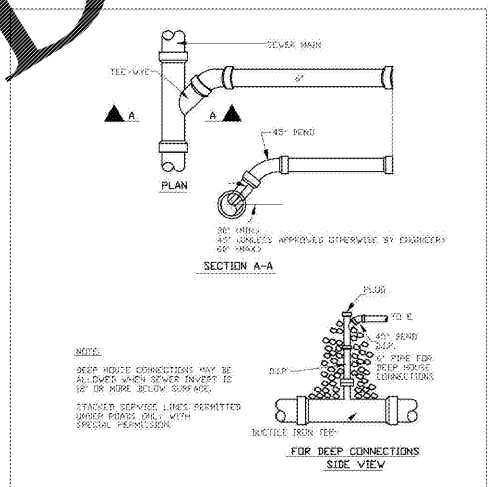
DRAWN BY: EFT
CHECKED BY: [Signature]
DATE: 6/1/02
REVISED: 4/11



CITY OF COVINGTON
SANITARY SEWER SYSTEM DETAIL
BOLT DOWN FRAME & COVER

City of Covington
Engineering Department
City Building 1200
Covington, Georgia 30020

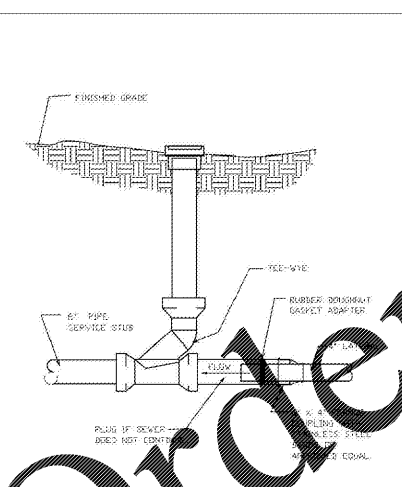
DRAWN BY: EFT
CHECKED BY: [Signature]
DATE: 6/1/02
REVISED: 4/11



CITY OF COVINGTON
SANITARY SEWER SYSTEM DETAIL
6" TEE SERVICE CONNECTIONS

City of Covington
Engineering Department
City Building 1200
Covington, Georgia 30020

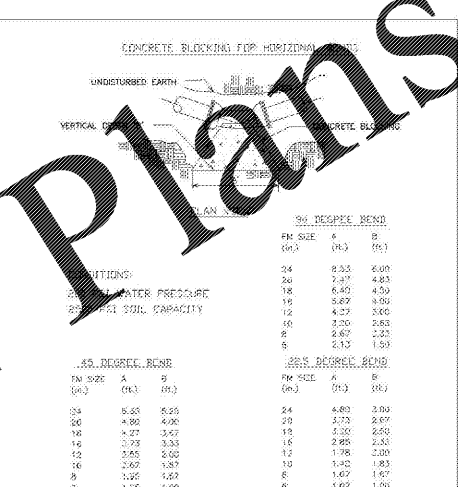
DRAWN BY: EFT
CHECKED BY: [Signature]
DATE: 6/1/02
REVISED: 4/11



CITY OF COVINGTON
SANITARY SEWER SYSTEM DETAIL
CLEAN OUT

City of Covington
Engineering Department
City Building 1200
Covington, Georgia 30020

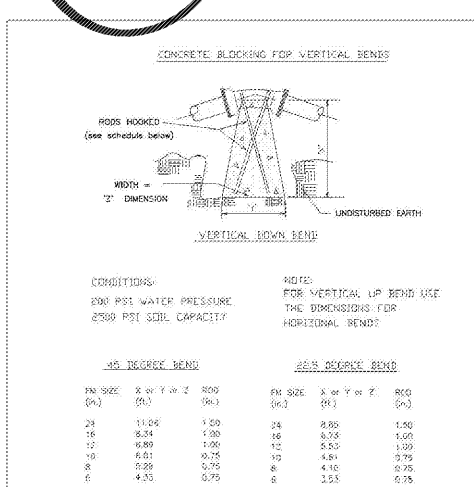
DRAWN BY: EFT
CHECKED BY: [Signature]
DATE: 6/1/02
REVISED: 4/11



CITY OF COVINGTON
SANITARY SEWER SYSTEM DETAIL
HORIZONTAL CONCRETE BLOCKING

City of Covington
Engineering Department
City Building 1200
Covington, Georgia 30020

DRAWN BY: EFT
CHECKED BY: [Signature]
DATE: 6/1/02
REVISED: 4/11



CITY OF COVINGTON
SANITARY SEWER SYSTEM DETAIL
VERTICAL CONCRETE BLOCKING

City of Covington
Engineering Department
City Building 1200
Covington, Georgia 30020

DRAWN BY: EFT
CHECKED BY: [Signature]
DATE: 6/1/02
REVISED: 4/11

UTILITY PLAN DETAILS

Order Plans

WOLVERTON
Engineering Solutions
9740 Inghram Parkway • Suite 110 • Duluth, Georgia 30017
www.wolverton.com

Project Title
PROPOSED BURGER KING COVINGTON, GA
BY: PREMIER HOLDINGS OF GEORGIA, LLC MONTGOMERY, AL

GSWCC# 22364

REVISIONS	BY

DRAWN BY: SCR
CHECKED BY: THH
DATE: 08/27/2018
SCALE: NO SCALE
JOB No.: 17-CE-015
SHEET NUMBER: **D-3B**

OUT TO BID