

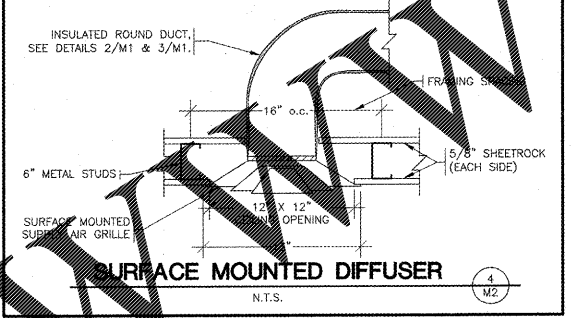
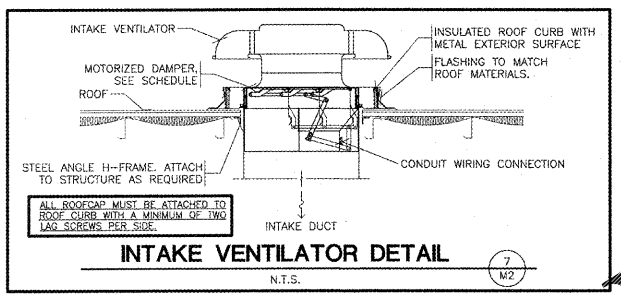
GRILLE AND DIFFUSER SCHEDULE

MARK	DESCRIPTION	MFR.	CATALOG NUMBER	SIZE (IN.)	FINISH	MOUNTING	BRANCH DUCT SIZE	ACCESSORIES	REMARKS	REF. DETAIL
(C)	SUPPLY GRILLE	ANEMOSTAT	S2HD	14x14	WHITE	DUCT	SEE PLAN	OB		-
(S)	SUPPLY DIFFUSER	ANEMOSTAT	E-1-D	12x12	WHITE	SURFACE	SEE PLAN	DT		4/M2
(R)	RETURN GRILLE	ANEMOSTAT	S3HD-81	12x12	WHITE	SURFACE	SEE PLAN	-		1/M2
(K)	EXHAUST GRILLE	ANEMOSTAT	S3HS	12x12	WHITE	CEILING	SEE PLAN	OB		-

DAMPERS										
MARK	DESCRIPTION	MFR.	CATALOG NUMBER	SIZE	FINISH	MOUNTING	BRANCH DUCT SIZE	ACCESSORIES	REMARKS	REF. DETAIL
(M)	MOTORIZED DAMPER	NCA	SCD57	SAME AS DUCT	-	DUCT	SEE PLAN	BEIMO #LF-120 SPRING-RETURN DAMPER MOTOR		-
(F)	FIRE DAMPER	CESCO	ULTRA-SAFE	75A OR 75C	SAME AS DUCT	-	DUCT AT WALL/CEILING	-	PER CODE MEETS REQ. FOR 2 HR. RATED WALL	-

ONLY FOR USE W/ ECONOMIZERS										
MARK	DESCRIPTION	MFR.	CATALOG NUMBER	SIZE	FINISH	MOUNTING	BRANCH DUCT SIZE	ACCESSORIES	REMARKS	REF. DETAIL
(RV)	RELIEF VENTILATOR (THRU ROOF)	COOK	TR	20	MILL	ROOF	SEE PLAN	RC,GD		6/M2
(IV)	INTAKE VENTILATOR (THRU ROOF)	COOK	PR	20	MILL	ROOF	SEE PLAN	RC,MD		7/M2

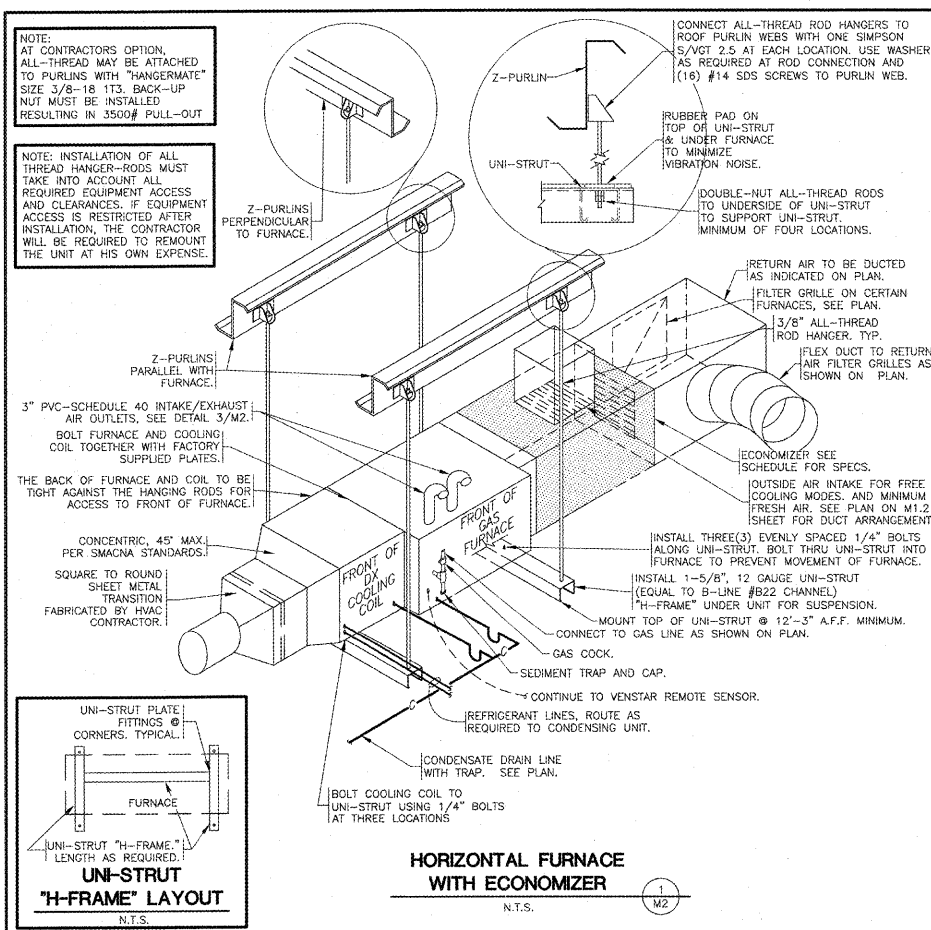
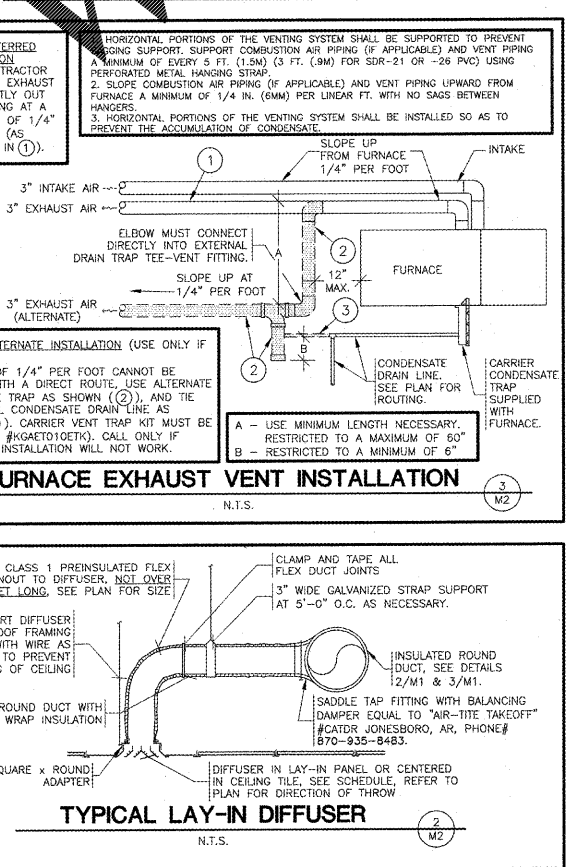
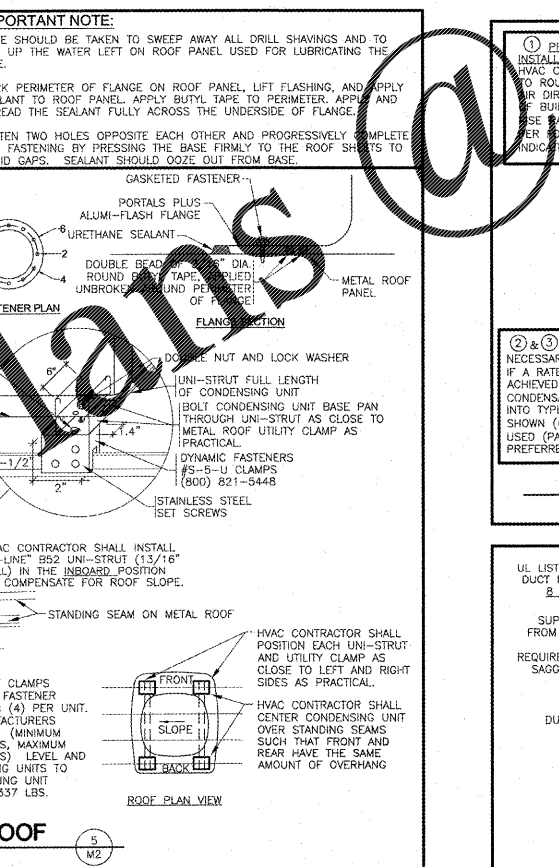
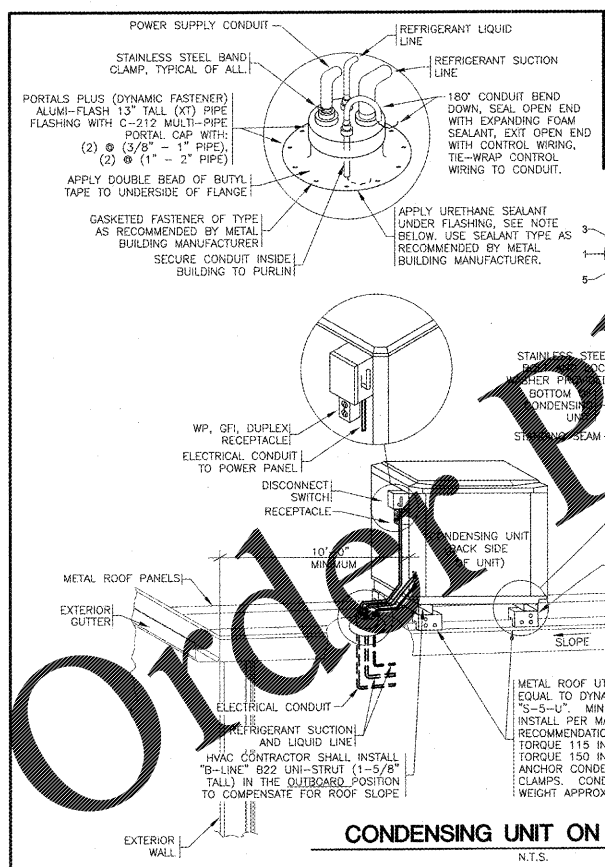
ACCESSORIES - PROVIDED BY CONTRACTOR										
MARK	DESCRIPTION	MFR.	CATALOG NUMBER	SIZE	FINISH	MOUNTING	BRANCH DUCT SIZE	ACCESSORIES	REMARKS	REF. DETAIL
OB	OPPOSED BLADE DAMPER								1-WAY	4-WAY
DT	DIRECTIONAL TABS								DIRECTIONAL TABS, ADJUST TO PROVIDE THROW AS INDICATED ON PLANS.	
FL	FLANGE								PROVIDE 1\"/>	



FAN SCHEDULE

MARK	DESCRIPTION	MFR.	CATALOG NUMBER	CFM (NOM)	STATIC PRESS.	MOTOR H.P.	V/PH	MCA	MOCP	ACCESSORIES	REMARKS	REF. DETAIL
EE-1	INLINE EXHAUST FAN	COOK	GN-642	500	0.1	195W	120/1	-	-	BD,DS,WC		-
EE-2	INLINE FAN	COOK	GN-642	500	0.1	195W	120/1	-	-	BD,DS,SS		-

ACCESSORIES										
MARK	DESCRIPTION	MFR.	CATALOG NUMBER	SIZE	FINISH	MOUNTING	BRANCH DUCT SIZE	ACCESSORIES	REMARKS	REF. DETAIL
BD	DISCONNECT SWITCH								ADJUST FOR CFM REQUIRED.	
WC	WALL CAP, "COOK" #WCA-6, ALUMINUM								EXHAUST FAN SHALL BE WIRED BY THE ELECTRICAL CONTRACTOR TO OPERATE WITH EITHER RESTROOM'S LIGHT SWITCH.	
SS	FAN SPEED SWITCH "COOK" #FSC (OFFICE ONLY)								FAN IN OFFICE TO BE CONTROLLED BY FAN SPEED SWITCH.	



NATIONAL ACCOUNT FURNACE & CONDENSING UNIT SCHEDULE - GAS

MARK	DESCRIPTION	MFR.	CATALOG NUMBER	HTG. MBH IN	HTG. MBH OUT	AFUE	CLG. MBH TOT.	SEER	SUPPLY FAN	ELECTRICAL	WT. (lbs.)	ACCESSORIES	REMARKS	REF. DETAIL	
EF-1	GAS FURNACE HORIZONTAL CONFIG.	CARRIER	5895FA100211-20	100	97	96.3	-	-	1980	276	0.6	1.0	115/19	20	151 SP. HV. RS. RTFS, HSA CO2, DSD
EF-2	EVAPORATOR COIL HORIZONTAL CASED N	CARRIER	CNPH6024	-	-	-	-	-	-	-	-	-	-	81	SACR, CH WSC, EF, RFD, SLLAC, DS
COU-5	CONDENSING UNIT (5-TON)	CARRIER	24CC660A003	-	-	-	53.5	42.5	15.0	-	-	-	208/230	40	340

ACCESSORIES - FACTORY SUPPLIED & FIELD INSTALLED										
MARK	DESCRIPTION	MFR.	CATALOG NUMBER	SIZE	FINISH	MOUNTING	BRANCH DUCT SIZE	ACCESSORIES	REMARKS	REF. DETAIL
SACR	START ASSIST - CAPACITOR RELAY	"CARRIER" #KSAH51701AAA								
EF	EVAPORATOR FREEZESTAT	"CARRIER" #KAFT01AAA								
WSC	WALL CAP CONTROL	"CARRIER" #KAW50101AAA								
LAC	LOW AMBIENT CONTROL	"CARRIER" #KSA0301410								

ACCESSORIES - FIELD SUPPLIED & FIELD INSTALLED										
MARK	DESCRIPTION	MFR.	CATALOG NUMBER	SIZE	FINISH	MOUNTING	BRANCH DUCT SIZE	ACCESSORIES	REMARKS	REF. DETAIL
RFD	REFRIGERANT FILTER DRYERS									
RTI	REFRIGERANT TUBING (3/8\"/>									

O'Reilly AUTO PARTS
CORPORATE OFFICES
233 SOUTH PATTERSON
SPRINGFIELD, MISSOURI 65802
(417) 862-2874 TELEPHONE

**PROJECT: NEW O'REILLY AUTO PARTS STORE
2730 HIGHWAY 80 EAST
PEARL, MISSISSIPPI**

SGE
SMITH-GOTH ENGINEERS, INC.

DESIGNED, DRAWINGS AND SPECIFICATIONS ARE INSTRUMENTS OF SERVICE AND ARE THE PROPERTY OF THE DESIGN PROFESSIONAL. REPRODUCTION PROHIBITED WITHOUT THE EXPRESSED WRITTEN CONSENT OF THE DESIGN PROFESSIONAL.