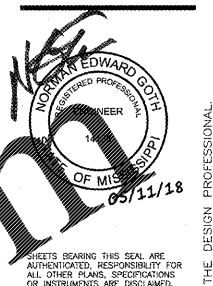
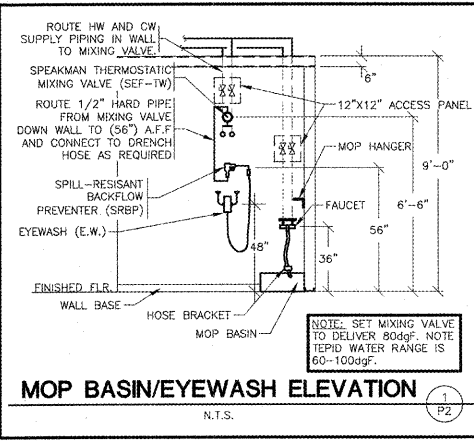
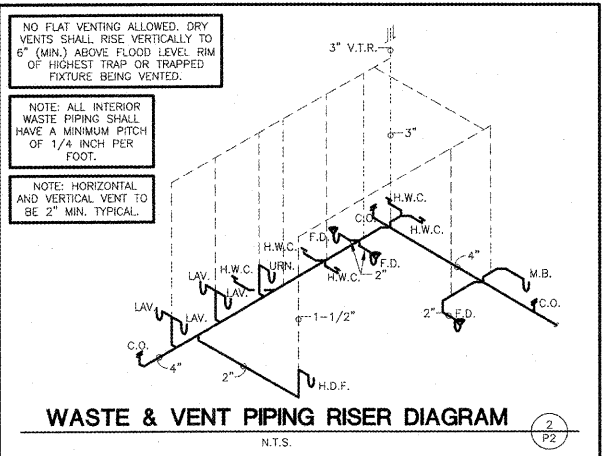
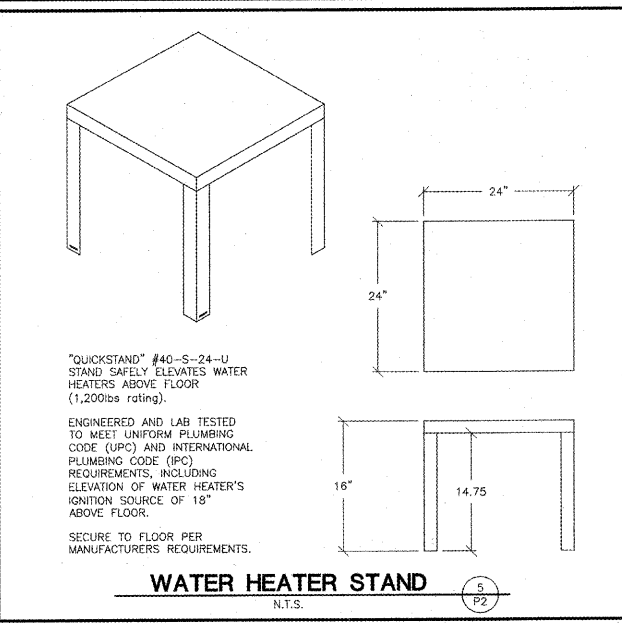
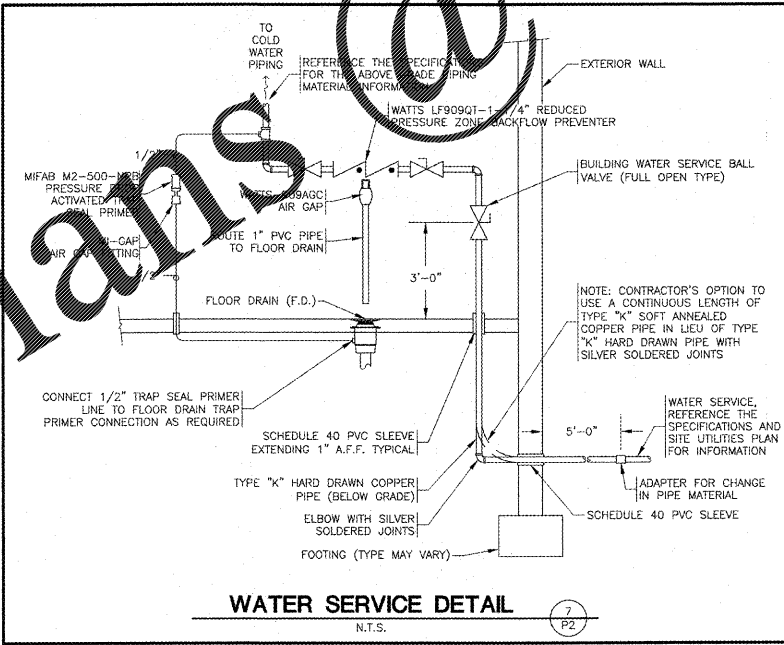
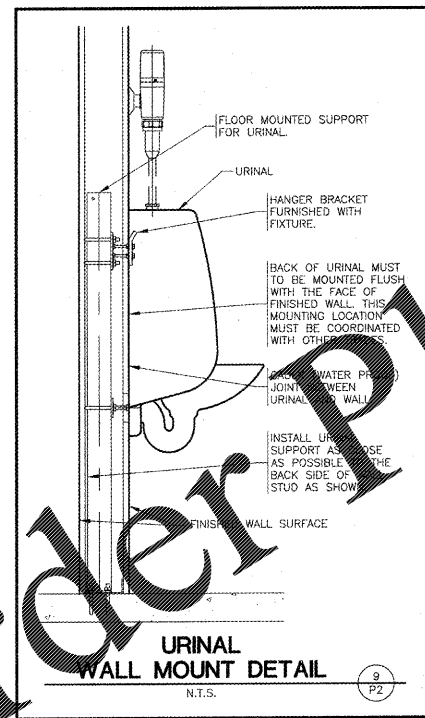
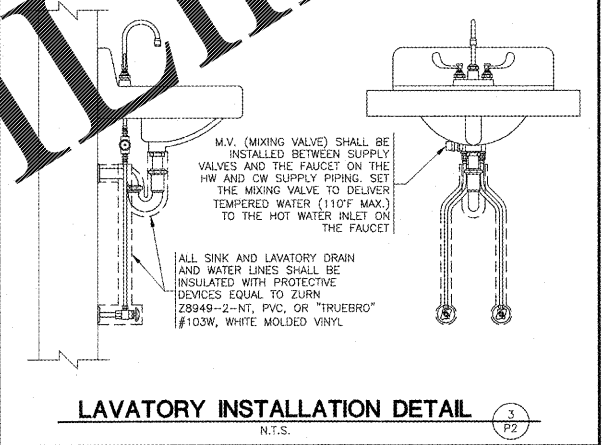
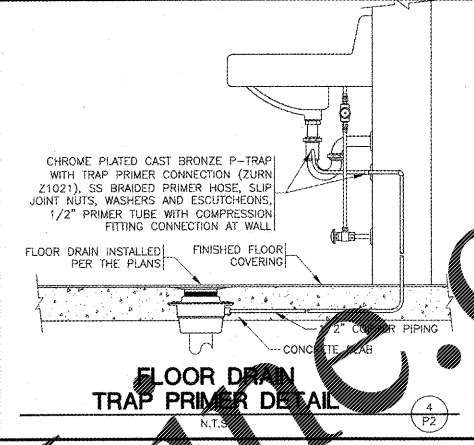
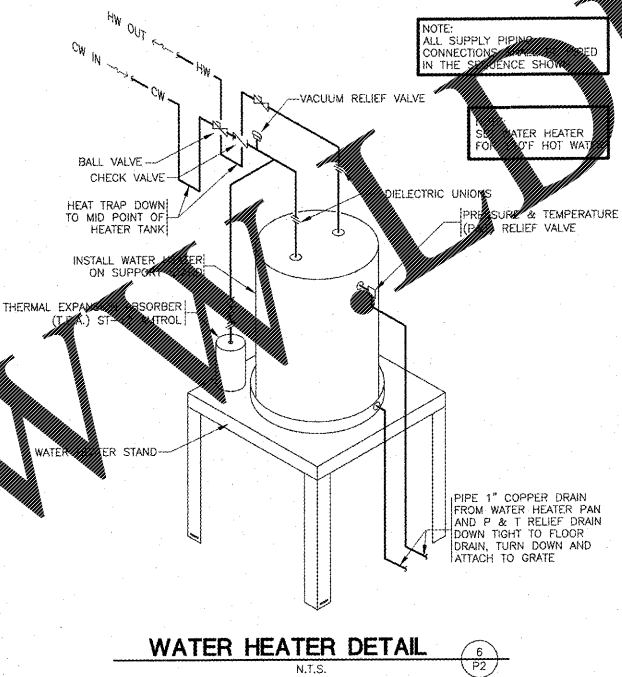
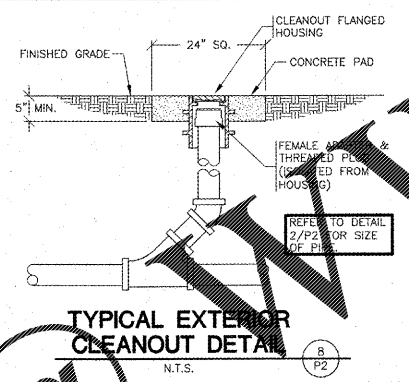


Order Plans @ www.waldmiller.com

PLUMBING CALCULATIONS

FIXTURE	QUANTITY	TOTAL-SFU	TOTAL	TOTAL-HW	TOTAL	DFU	TOTAL
W.C. (TANK)	5	5	25	0	0	4	20
URN. (URINAL)	1	5	5	0	0	4	4
LAV. (LAVATORY)	4	2	8	1.5	6.00	2	8
M.P. (MOP BASIN)	1	3	3	1.5	1.50	2	2
H.D.F. (FOUNTAIN)	1	0.25	0.25	0	0	0.5	0.50
H.B. (HOSE BIBB)	2	3	6	0	0	0	0
TOTAL			47.25	TOTAL	7.50	TOTAL	34.50
TOTAL CW GPM		30		AVERAGE DAILY FLOW	= 175 gal/DAY		
COLD WATER SERVICE SIZE		1-1/2"					



O'Reilly AUTO PARTS
CORPORATE OFFICES
233 SOUTH PATTERSON
SPRINGFIELD, MISSOURI 65802
(417) 862-2674 TELEPHONE

PROJECT:
NEW O'REILLY AUTO PARTS STORE
2730 HIGHWAY 80 EAST
PEARL, MISSISSIPPI
PLUMBING DETAILS

3855 S. JEFFERSON AVE.
SPRINGFIELD, MO 65807
P. 417-862-2200
F. 417-862-1188
www.o-reilly.com



DRAWN BY: RM
CHECKED BY: NEG
DATE: 05/11/18
REVISION:

PROJECT NUMBER:
PEA-0994
SHEET NUMBER
P2

REPRODUCTION PROHIBITED WITHOUT THE EXPRESSED WRITTEN CONSENT OF THE DESIGN PROFESSIONAL. SHEETS BEARING THIS SEAL ARE AUTHENTICATED. RESPONSIBILITY FOR ALL OTHER PLANS, SPECIFICATIONS OR INSTRUMENTS ARE DISCLAIMED.