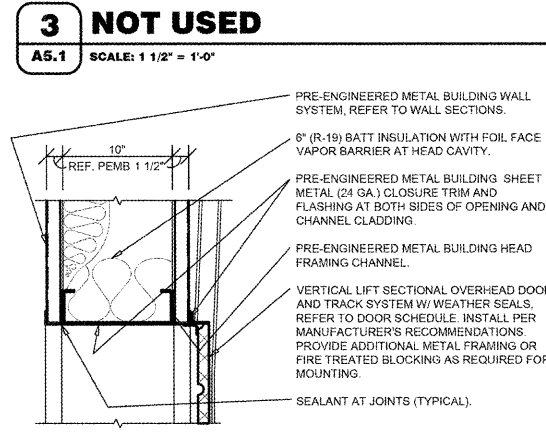
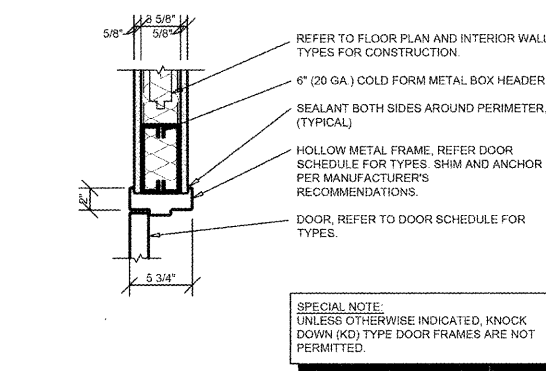


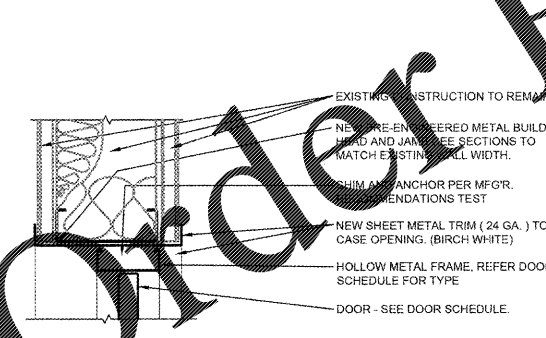
**1 HEAD DETAIL**  
A5.1 SCALE: 1 1/2" = 1'-0"



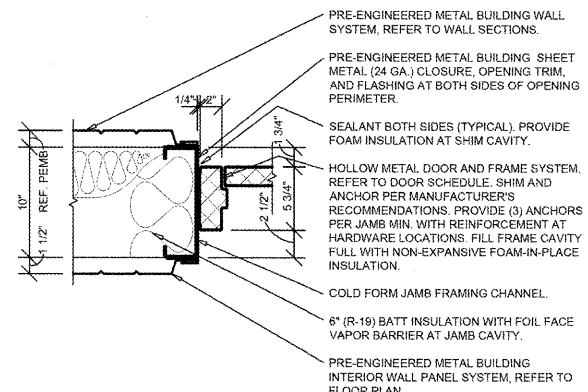
**3 NOT USED**  
A5.1 SCALE: 1 1/2" = 1'-0"



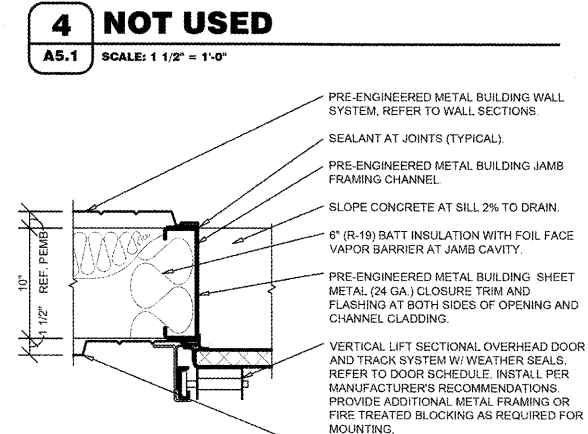
**5 HEAD DETAIL**  
A5.1 SCALE: 1 1/2" = 1'-0"



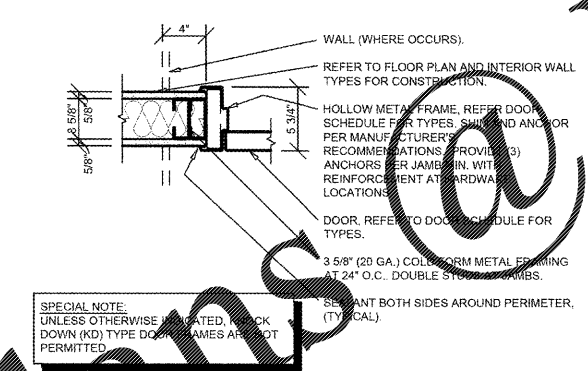
**7 HEAD DETAIL**  
A5.1 SCALE: 1 1/2" = 1'-0"



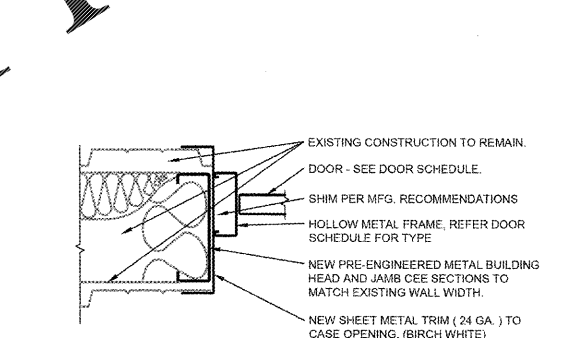
**2 JAMB DETAIL**  
A5.1 SCALE: 1 1/2" = 1'-0"



**4 NOT USED**  
A5.1 SCALE: 1 1/2" = 1'-0"



**6 JAMB DETAIL**  
A5.1 SCALE: 1 1/2" = 1'-0"



**8 JAMB DETAIL**  
A5.1 SCALE: 1 1/2" = 1'-0"

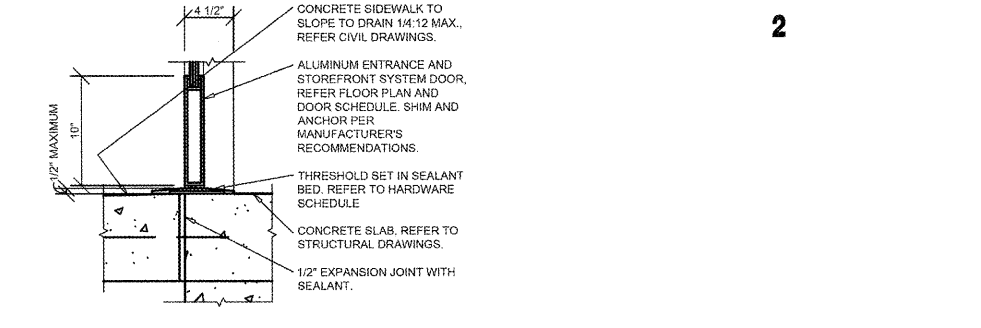
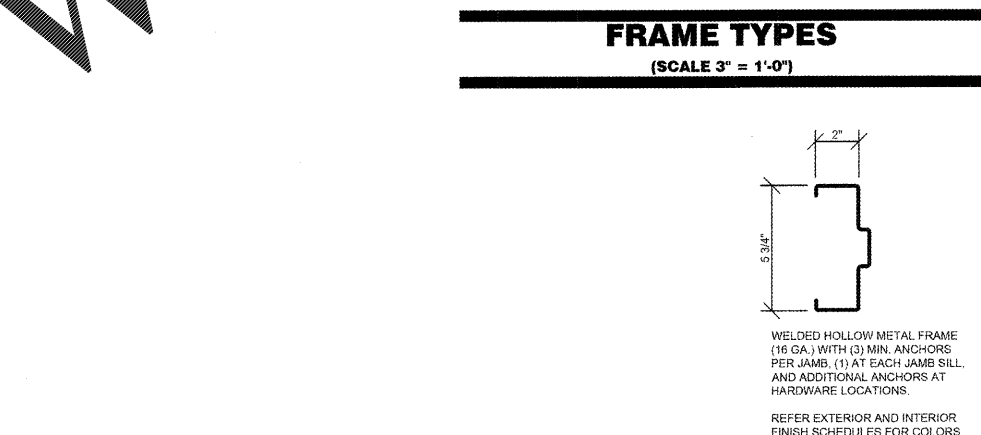
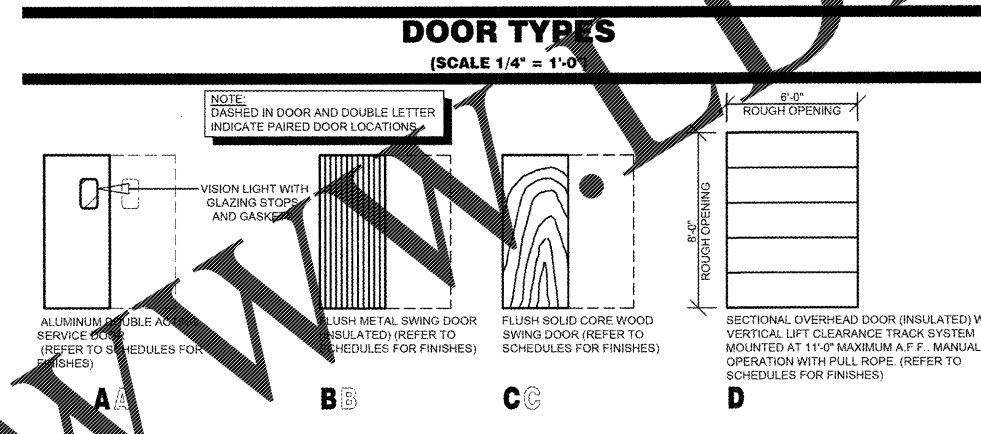
### DOOR SCHEDULE

MK	DOOR				DOOR HARDWARE		FRAME		DETAILS			FIRE RATING	REMARKS (REFER NOTES)	
	SIZE (W x H x D)	TYPE	SWING	MATERIAL	GLAZ. TYPE	SET #	KEYED	TYPE	MATERIAL	HEAD WIDTH	HEAD			JAMB
1	3'-0" X 7'-0" X 1-3/4"	B	REFER TO FLOOR PLAN	INSULATED METAL		2	A	2	INSULATED METAL		1/A5.1	2/A5.1	11/A5.1 SIM	1, 2
2	3'-0" X 7'-0" X 1-3/4"	BB	REFER TO FLOOR PLAN	INSULATED METAL		2	A	2	INSULATED METAL		1/A5.1	2/A5.1	11/A5.1 SIM	1, 2, 3
3	6'-0" X 6'-0"	D	SECTIONAL OVERHEAD	INSULATED METAL		3			MANUFACTURER'S STANDARDS		5/A5.1	6/A5.1		1
4	3'-0" X 7'-0" X 1-3/4"	AA	REFER TO FLOOR PLAN	HOLLOW ALUMINUM	1/2 CLEAR SAFETY	6		2	HOLLOW METAL		9/A5.1	10/A5.1		1, 4
5	3'-0" X 7'-0" X 1-3/4"	C	REFER TO FLOOR PLAN	SOLID WOOD		5		2	HOLLOW METAL		7/A5.1	8/A5.1		1, 4
6	3'-0" X 7'-0" X 1-3/4"	C	REFER TO FLOOR PLAN	SOLID WOOD		5		2	HOLLOW METAL		7/A5.1	8/A5.1		1, 4
7	3'-0" X 7'-0" X 1-3/4"	C	REFER TO FLOOR PLAN	SOLID WOOD		4		2	HOLLOW METAL		7/A5.1	8/A5.1		1, 3
8	3'-0" X 7'-0" X 1-3/4"	C	REFER TO FLOOR PLAN	SOLID WOOD		4		2	HOLLOW METAL		7/A5.1	8/A5.1		1

**NOTES:**  
 1. ALL DOORS SHALL BE SHOP PREPARED FOR HARDWARE.  
 2. ALL EXTERIOR DOORS TO BE KEYPED ALIKE. CONTRACTOR TO FIELD VERIFY AND MATCH CORE OF DOOR MARKED "2".  
 3. EXTERIOR DOOR, FRAME AND HARDWARE OWNER FURNISHED AND CONTRACTOR INSTALLED. REFER TO SCOPE OF WORK SCHEDULE.  
 4. CONTRACTOR'S OPTION TO PURCHASE INTERIOR DOORS, FRAMES, AND HARDWARE THROUGH PREFERRED VENDOR. REFER TO SCOPE OF WORK SCHEDULE.

LOCKNET  
 100 COURCHELLE DRIVE  
 NICHOLASVILLE, KY 40356  
 CONTACT: PAUL PEEL  
 PHONE 800-987-4307 EXT 133  
 FAX 859-881-5499  
 EMAIL: construction@locknet.com

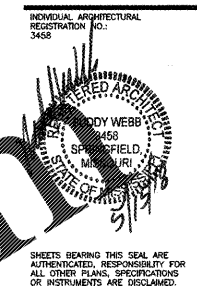
**SPECIAL NOTE:**  
 UNLESS OTHERWISE INDICATED, KNOCK DOWN (KD) TYPE DOOR FRAMES ARE NOT PERMITTED.



**11 SILL DETAIL**  
A5.1 SCALE: 1 1/2" = 1'-0"

### DOOR HARDWARE SCHEDULE

- HARDWARE NOTES:**  
 1. ALL HARDWARE TO BE ADA AND ANSI COMPLIANT.  
 2. VERIFY COMPATIBILITY OF HARDWARE SPECIFIED. NOTIFY ARCHITECT OF INCOMPATIBILITY ISSUES PRIOR TO ORDERING AND INSTALLATION.
- SET NO. 3 (DR. 1, 2, 4)**  
 1 CONTINUOUS HINGE: 780-112HD X LENGTH REQUIRED X US28..... HAGER  
 1 CYLINDER: 20-057 X US26D - "E" KEYPAD (REMOVABLE CORE)..... HAGER  
 PROVIDE (2) SECURITY KEYS. (1) CORE KEY, (1) BITTED..... SCHLAGE  
 1 EXIT PANIC LOCK: 8300B X 486 X 689 - PR703 X 630..... DORMA  
 (THROUGH SEX BOLT MOUNTING)..... DORMA  
 1 CLOSER: 8610DST X COY X SNEH X 689 (ADJ. TO 8.5 LBS.)..... HAGER  
 (THROUGH SEX BOLT MOUNTING)..... DORMA  
 1 SET PERIMETER GASKETS, JAMBS - KERFED QEBD-500..... SCHLEGE  
 ADHESIVE QDST-875..... SCHLEGE  
 1 LATCH GUARD: LG100ZSF X US26D (STRAIGHT W/ PIN W/ SEX BOLTS)..... LATCHGUARD  
 1 DOOR VIEWER: 696 - 190 DEGREE WIDE ANGLE X US26D..... JIVES  
 1 KICK PLATE: 190S X 8" X 34" X US32D..... HAGAR  
 1 SWEEP: 345AP X LENGTH REQUIRED..... PEMKO  
 1 THRESHOLD: 271A X LENGTH REQUIRED..... PEMKO
- SET NO. 3 (DR. 3)**  
 REQUIRED HARDWARE FURNISH WITH OVERHEAD DOOR SYSTEM (CHECKING FROM INTERIOR ONLY)  
 SET NO. 4 (DR. 3)  
 3 HINGES: BB1279 X 4 1/2" X 4 1/2" X US26D..... HAGER  
 1 SET PUSH BOLTS: 70C X 107 X 70C X US26D..... ROCKWOOD  
 1 CLOSER: 3041 X 3077SCNS X 886 - THRU MOUNTING WITH SEX BOLTS (ADJUST TO 5 LBS.)..... LCN  
 1 KICK PLATE: K1050 X 10" X 34" X US32D..... ROCKWOOD
- SET NO. 5 (DR. 5, 6)**  
 3 HINGES: BB1279 X 4 1/2" X 4 1/2" X US26D..... HAGER  
 1 SET PUSH BOLTS: 70C X 107 X 70C X US26D..... ROCKWOOD  
 1 CLOSER: 3041 X 3077SCNS X 886 - THRU MOUNTING WITH SEX BOLTS (ADJUST TO 5 LBS.)..... LCN  
 1 KICK PLATE: K1050 X 10" X 34" X US32D..... ROCKWOOD
- SET NO. 6**  
 3 HINGES: ECBB1100 X 4 1/2" X 4 1/2" X US32D X NRP..... HAGER  
 1 EXIT ONLY PANIC LOCK: 8300B X 486 X 689..... DORMA  
 1 CLOSER: 5300AL X ALM (ADJ. TO 8.5 LBS.)..... HAGER  
 (THROUGH SEX BOLT MOUNTING)..... HAGER  
 1 SET PERIMETER GASKETS, JAMBS - KERFED QEBD-500, HEADER - ADHESIVE QDST-875..... SCHLEGE  
 1 LATCH GUARD: LG100ZSF X US26D (STRAIGHT W/ PIN W/ SEX BOLTS)..... LATCHGUARD  
 1 SWEEP: 345AP X LENGTH REQUIRED..... PEMKO  
 1 THRESHOLD: 271A X LENGTH REQUIRED..... PEMKO



**O'Reilly AUTO PARTS**  
 CORPORATE OFFICES  
 235 SOUTH PATTERSON  
 SPRINGFIELD, MISSOURI 65802  
 (417) 862-2674 TELEPHONE

PROJECT: (ADDITION)  
**O'REILLY AUTO PARTS STORE**  
 2730 HIGHWAY 80 EAST  
 PEARL, MISSISSIPPI

**Buddy Webb, NCARB, AIA**  
**Architect - Consultant**  
 3057 EAST CAIRO  
 SPRINGFIELD, MISSOURI 65802  
 (417) 877-1386 TELEPHONE  
 (417) 877-9736 FAX

DRAWN BY: EW  
 CHECKED BY: RV  
 DATE: 04/26/18  
 REVISION:  
 PROJECT NUMBER: PEA-0994  
 SHEET NUMBER

**A5.1**

Order Plans

WWW.DRIVE.COM

COPYRIGHT 2018. ALL RIGHTS RESERVED. REPRODUCTION WITHOUT THE EXPRESSED WRITTEN CONSENT OF THE DESIGN PROFESSIONAL IS PROHIBITED.