

GENERAL NOTES

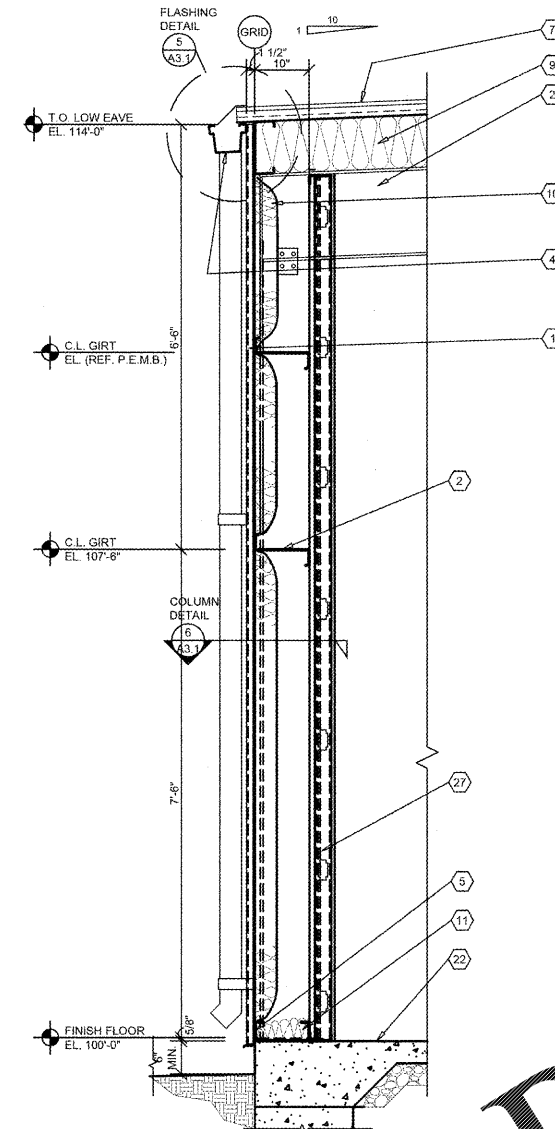
- (A) REFER TO PROJECT MANUAL AND SCOPE OF WORK SCHEDULE FOR ADDITIONAL REQUIREMENTS.
- (B) REFER TO CIVIL, STRUCTURAL, MECHANICAL, ELECTRICAL, PLUMBING AND PRE-ENGINEERED METAL BUILDING (P.E.M.B.) SHOP DRAWINGS FOR ADDITIONAL REQUIREMENTS.
- (C) REFER TO INTERIOR AND EXTERIOR FINISH SCHEDULES FOR MATERIAL TYPES, COLORS AND FINISHES.
- (D) DIMENSIONS ARE TO FACE OF CONCRETE, FRAMING, OR CENTER OF STRUCTURE UNLESS OTHERWISE INDICATED.
- (E) NOT ALL INSULATION SHOWN FOR CLARITY.

INDIVIDUAL ARCHITECTURAL
REGISTRATION NO.:
3458



KEY NOTES

- 1 PRE-ENGINEERED METAL BUILDING EXTERIOR WALL PANEL SYSTEM. (MATCH EXISTING)
- 2 PRE-ENGINEERED METAL BUILDING PRIMARY AND SECONDARY STRUCTURAL FRAMING SYSTEMS
- 3 PRE-ENGINEERED METAL BUILDING SHEET METAL FLASHING, COLLECTOR FLASHING, CONTINUOUS CLEATS, DRIPS CLOSURES, TRANSITIONS, COPINGS AND ACCESSORIES AS REQUIRED.
- 4 PRE-ENGINEERED METAL BUILDING GUTTER AND DOWNSPOUT SYSTEM. REFER TO EXTERIOR. REFER TO P.E.M.B. SHOP DRAWINGS FOR SIZES. (MATCH EXISTING)
- 5 PRE-ENGINEERED METAL BUILDING BASE ANGLE OR GIRT WITH PANEL CLOSURE AND SEALANT SYSTEM
- 6 PRE-ENGINEERED METAL BUILDING INTERIOR WALL LINER PANEL.
- 7 PRE-ENGINEERED METAL BUILDING ROOF PANEL SYSTEM WITH THERMAL SPACER BLOCKS (R-5 MIN.).
- 8 PRE-ENGINEERED METAL BUILDING SOFFIT PANEL SYSTEM OR FIELD FABRICATED SHEET METAL CLADDING SYSTEM TO MATCH FRONT EXTERIOR WALL PANELS. REFER TO P.E.M.B. DRAWINGS FOR REQUIREMENTS.
- 9 PRE-ENGINEERED METAL BUILDING ROOF INSULATION (R-36) LINER SYSTEM. (REFER TO SCOPE OF WORK SCHEDULE) VAPOR BARRIER OVER HIGH STRENGTH STEEL SUSPENSION STRAPS ATTACHED TO BOTTOM OF PRE-ENGINEERED METAL BUILDING ROOF PURLINS WITH (1) LAYER 8" (R-25) UN-FACED BATT INSULATION PARALLEL WITH ROOF PURLIN CAVITY AND (1) LAYER 3 1/2" (R-11) UN-FACED BATT INSULATION PERPENDICULAR OVER TOP OF ROOF PURLINS.
- 10 PRE-ENGINEERED METAL BUILDING WALL INSULATION (R-13) WITH VAPOR BARRIER SYSTEM. (REFER TO SCOPE OF WORK SCHEDULE).
- 11 BATT INSULATION (R-19) WITH FOIL FACE VAPOR BARRIER (CONTRACTOR FURNISHED AND INSTALLED).
- 12 (NOT USED).
- 13 (NOT USED).
- 14 (NOT USED).
- 15 (NOT USED).
- 16 5/8" TYPE "X" GYPSUM BOARD (PAINT).
- 17 (NOT USED).
- 18 (NOT USED).
- 19 (NOT USED).
- 20 (NOT USED).
- 21 (NOT USED).
- 22 FLOORING AND BASE. REFER TO INTERIOR FINISH SCHEDULE FOR TYPES AND LOCATIONS.
- 23 3 5/8" (20 GA.) COLD FORM METAL STUD FRAMING AT 24" O.C., REFER TO FLOOR PLAN AND INTERIOR WALL TYPES
- 24 (NOT USED).
- 25 (NOT USED).
- 26 DOOR AND FRAME SYSTEM, REFER TO FLOOR PLAN AND SCHEDULES FOR TYPES.
- 27 (1) HOUR FIRE RATED ASSEMBLY EQUAL TO UL DESIGN NO. U415. 4" (20 GA.) COLD FORM METAL C-H OR C-T STUD FRAMING AT 24" O.C. TO BOTTOM OF ROOF FRAMING, 1" FIRE-SHIELD SHAFT LINER BETWEEN STUDS AT EXTERIOR SIDE, AND (1) LAYER 5/8" TYPE "X" GYPSUM BOARD ON INTERIOR SIDE, ATTACH FRAMING TO GIRTS AND TO BOTTOM OF PURLINS WITH DEFLECTION CHANNELS.
- 28 EXISTING CONSTRUCTION TO REMAIN. PROTECT AS REQUIRED DURING CONSTRUCTION.



1 WALL SECTION

A3.2 SCALE: 3/4" = 1'-0"

O'Reilly AUTO PARTS
CORPORATE OFFICES
233 SOUTH PATTERSON
SPRINGFIELD, MISSOURI 65802
(417) 862-2674 TELEPHONE

PROJECT: (ADDITION)
O'REILLY AUTO PARTS STORE
2730 HIGHWAY 80 EAST
PEARL, MISSISSIPPI

WALL SECTIONS

Buddy Webb, NCARB, AIA
Architect - Consultant
3057 EAST CAIRO
SPRINGFIELD, MISSOURI 65802
(417) 877-1388 TELEPHONE
(417) 877-9736 FAX

DRAWN BY: EW
CHECKED BY: RV
DATE: 04/26/18
REVISION:

PROJECT NUMBER:
PEA-0994

SHEET NUMBER

A3.2

NOTE:
REFER TO STRUCTURAL DRAWINGS FOR FOOTINGS,
FOUNDATIONS, SLABS AND REINFORCEMENT.

COPYRIGHT 2018 BY DESIGN PROFESSIONAL. DRAWINGS AND SPECIFICATIONS ARE INSTRUMENTS OF SERVICE AND ARE THE PROPERTY OF THE DESIGN PROFESSIONAL. REPRODUCTION PROHIBITED WITHOUT THE EXPRESSED WRITTEN CONSENT OF THE DESIGN PROFESSIONAL.