

SHEETS BEARING THIS SEAL ARE AUTHENTICATED. RESPONSIBILITY FOR ALL OTHER PLANS, SPECIFICATIONS OR INSTRUMENTS ARE DISCLAIMED.

O'Reilly AUTO PARTS
CORPORATE OFFICES
233 SOUTH PATTERSON
SPRINGFIELD, MISSOURI 65802
(417) 862-2674 TELEPHONE

PROJECT: (ADDITION)
O'REILLY AUTO PARTS STORE
2730 HIGHWAY 80 EAST
PEARL, MISSISSIPPI

Buddy Webb, NCARB, AIA
Architect - Consultant
3057 EAST CAIRO
SPRINGFIELD, MISSOURI 65802
(417) 877-1385 TELEPHONE
(417) 877-9796 FAX

DRAWN BY: **EW** CHECKED BY: **RV**
DATE: **04/26/18**
REVISION:
PROJECT NUMBER:
PEA-0994
SHEET NUMBER

A2.1

REPRODUCTION PROHIBITED WITHOUT THE EXPRESSED WRITTEN CONSENT OF THE DESIGN PROFESSIONAL. COPYRIGHT 2018. DESIGNS, DRAWINGS AND SPECIFICATIONS ARE INSTRUMENTS OF SERVICE AND ARE THE PROPERTY OF THE DESIGN PROFESSIONAL.

GENERAL NOTES

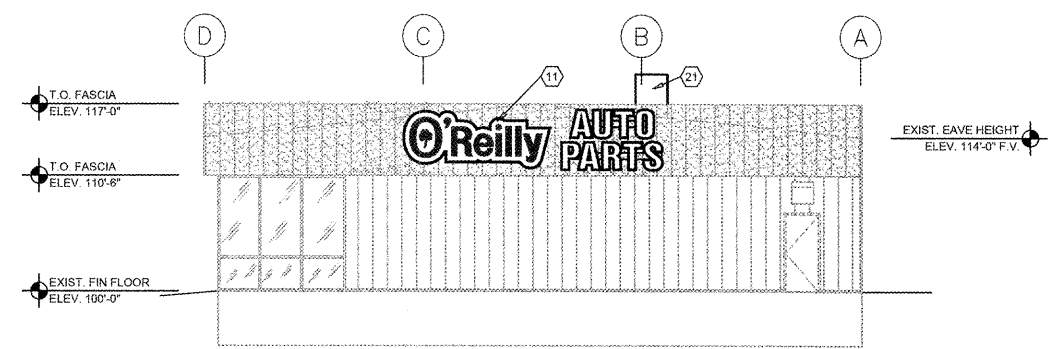
- (A) REFER TO PROJECT MANUAL FOR ADDITIONAL REQUIREMENTS.
- (B) REFER TO CIVIL DRAWINGS FOR ADDITIONAL REQUIREMENTS.
- (C) REFER TO PLUMBING, MECHANICAL, AND ELECTRICAL DRAWINGS FOR SYSTEM TYPES AND ADDITIONAL REQUIREMENTS.
- (D) REFER TO EXTERIOR FINISH SCHEDULE FOR MATERIAL TYPES.
- (E) REFER TO PRE-ENGINEERED METAL BUILDING SHOP DRAWINGS FOR ADDITIONAL REQUIREMENTS.
- (F) REFER TO SCOPE OF WORK SCHEDULE FOR ADDITIONAL REQUIREMENTS.

EXTERIOR FINISH SCHEDULE

- PRE-ENGINEERED METAL BUILDING WALL PANEL SYSTEMS**
KEY NOTE NO. 1:
TYPE: EXTERIOR WALL PANEL
MFG: (REFER TO PRE-ENGINEERED METAL BUILDING SHOP DRAWINGS)
SERIES: EQUAL TO BUTLER BUILDING "STYLWALL" (MATCH EXISTING)
FINISH: PREFINISHED
COLOR: (MATCH EXISTING)
- KEY NOTE NO. 2:
(NOT USED).
- FLASHING AND SHEET METAL**
KEY NOTE NO. 4:
TYPE: STANDING SEAM ROOFING SYSTEM
MFG: (REFER TO PRE-ENGINEERED METAL BUILDING SHOP DRAWINGS)
COLOR: (MATCH EXISTING)
- KEY NOTE NO. 5:
TYPE: FLASHING AT WALL PANELS
MFG: (REFER TO PRE-ENGINEERED METAL BUILDING SHOP DRAWINGS)
FINISH: PREFINISHED
COLOR: (MATCH EXISTING)
- KEY NOTE NO. 6:
(NOT USED).
- KEY NOTE NO. 7:
TYPE: WALL PANEL TRIM
MFG: (REFER TO PRE-ENGINEERED METAL BUILDING SHOP DRAWINGS)
FINISH: PREFINISHED
COLOR: (MATCH EXISTING WALL PANELS)
- KEY NOTE NO. 8:
TYPE: GUTTER AND DOWNSPOUT
MFG: (REFER TO PRE-ENGINEERED METAL BUILDING SHOP DRAWINGS)
FINISH: PREFINISHED
COLOR: (MATCH EXISTING WALL PANELS)
- KEY NOTE NO. 9:
TYPE: DOWNSPOUT TRIM
MFG: (REFER TO PRE-ENGINEERED METAL BUILDING SHOP DRAWINGS)
FINISH: PREFINISHED
COLOR: (MATCH EXISTING WALL PANELS)
- DOORS AND WINDOWS**
KEY NOTE NO. 1:
TYPE: STEEL DOORS AND FRAMES (DOORS NO. 1, 2, AND 3)
MFG: (REFER FURNISHED / CONTRACTOR INSTALLED)
FINISH: FACTORY PRIMED & FIELD PAINTED
COLOR: SHERWIN WILLIAMS "SOFTER TAN" SW6141 (SEMI-GLOSS)
- PAINTING**
KEY NOTE NO. 16:
TYPE: STEEL BOLLARDS (REFER TO CIVIL DRAWINGS)
FINISH: FIELD PRIME AND PAINT
COLOR: SHERWIN WILLIAMS "HUNT CLUB" SW6468 (SEMI-GLOSS)

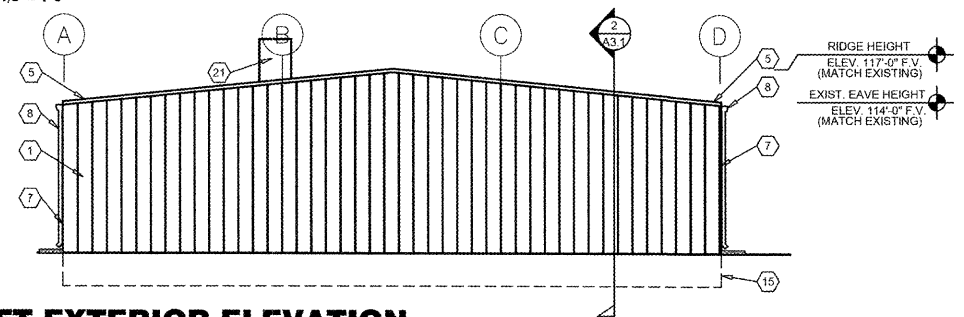
KEY NOTES

- 1 PRE-ENGINEERED METAL BUILDING EXTERIOR WALL PANEL SYSTEM
- 2 (NOT USED)
- 3 (NOT USED)
- 4 PRE-ENGINEERED METAL BUILDING SHEET METAL ROOFING SYSTEM
- 5 PRE-ENGINEERED METAL BUILDING SHEET METAL FLASHING WITH VERTICAL FACE TO MATCH EXISTING
- 6 (NOT USED)
- 7 PRE-ENGINEERED METAL BUILDING SHEET METAL WALL PANEL TRIM
- 8 PRE-ENGINEERED METAL BUILDING SHEET METAL GUTTER AND DOWNSPOUT SYSTEM
- 9 PRE-ENGINEERED METAL BUILDING SHEET METAL DOOR TRIM
- 10 (NOT USED)
- 11 PRE-ENGINEERED METAL BUILDING SIGN OWNER FURNISHED AND INSTALLED. PROVIDE BACKING FOR MOUNTING AND ROUGH-IN ELECTRICAL. COORDINATE REQUIREMENTS WITH OWNER. REFER TO SHEET C02.
- 12 (NOT USED)
- 13 EXTERIOR DOOR AND FRAME SYSTEM. REFER TO FLOOR PLAN AND DOOR SCHEDULE FOR TYPES.
- 14 (NOT USED)
- 15 APPROXIMATE LINE OF FOUNDATION, REFER TO STRUCTURAL DRAWINGS.
- 16 STEEL BOLLARDS, REFER TO CIVIL AND STRUCTURAL DRAWINGS.
- 17 HOSE BIB, REFER TO PLUMBING DRAWINGS.
- 18 LIGHT FIXTURE, REFER TO ELECTRICAL DRAWINGS.
- 19 (NOT USED)
- 20 MECHANICAL CONDENSER UNIT, REFER TO MECHANICAL DRAWINGS.
- 21 MECHANICAL WALL PENETRATIONS, REFER TO MECHANICAL DRAWINGS. PROVIDE FRAMING, FLASHING, AND SEALANT AS REQUIRED.
- 22 NEW PLUMBING ROOF VENT, REFER TO PLUMBING DRAWINGS AND DETAIL 11A4.2
- 23 CONCRETE SPLASH BLOCK INSTALL AT EACH DOWNSPOUT.



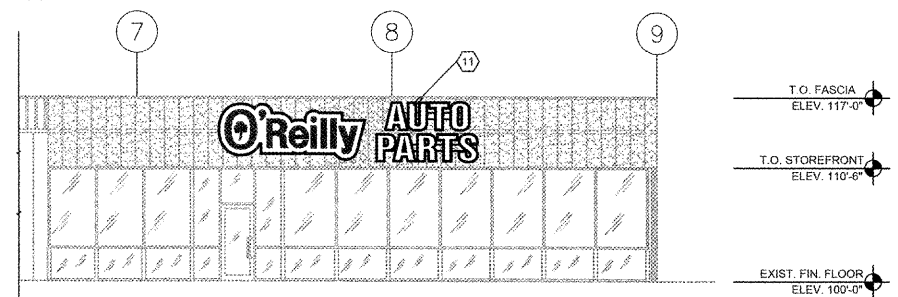
1 RIGHT EXTERIOR ELEVATION

A2.1 SCALE: 1/8" = 1'-0"



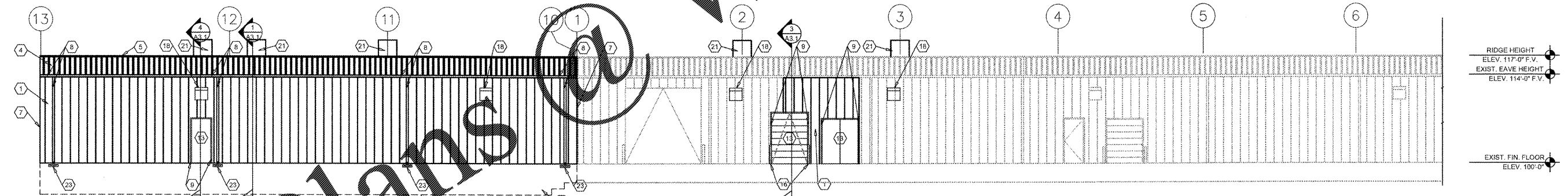
2 LEFT EXTERIOR ELEVATION

A2.1 SCALE: 1/8" = 1'-0"



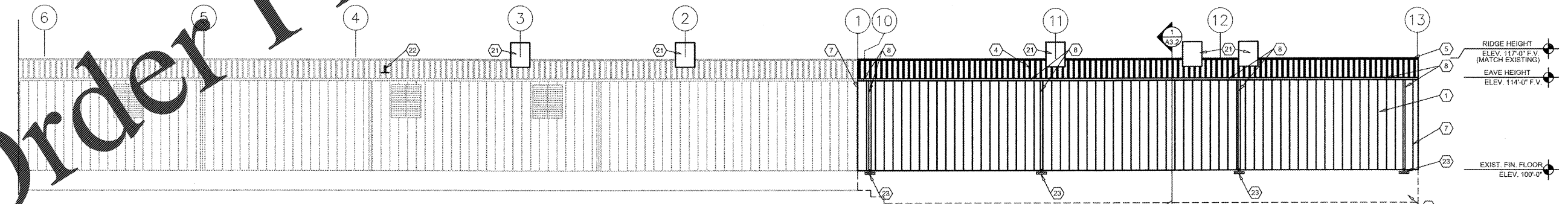
3 PARTIAL FRONT EXTERIOR ELEVATION

A2.1 SCALE: 1/8" = 1'-0"



3 PARTIAL FRONT EXTERIOR ELEVATION

A2.1 SCALE: 1/8" = 1'-0"



4 REAR EXTERIOR ELEVATION

A2.1 SCALE: 1/8" = 1'-0"

Order Plans

WWW.LDMLINE.COM