

KEYNOTES

- 1 PRE-ENGINEERED METAL BUILDING STRUCTURAL SYSTEM. SEE P.E.M.B. SHOP DRAWINGS FOR ADDITIONAL INFORMATION.
- 2 ANCHOR BOLTS. SEE FOUNDATION DETAILS AND PRE-ENGINEERED METAL BUILDING DRAWINGS FOR SIZE, QUANTITY AND PLAN LOCATION. SEE 13/S2 FOR TYPICAL SHOP FABRICATED ANCHOR ASSEMBLY.
- 3 INTERIOR CONCRETE SLAB SEE FOUNDATION PLAN.
- 4 SEE DETAIL 7/S2 FOR VERTICAL ANCHOR BOLT CONFINEMENT REINFORCEMENT
- 5 SLAB HAIRPIN - SEE DETAIL 4/S2
- 6 #4 CORNER REINFORCEMENT CENTERED IN SLAB. 36"
- 7 #3x5'-0" DOWEL @ 36" O.C. FIELD BEND AS SHOWN
- 8 #4 CONTINUOUS (PROVIDE BENT BARS AT SLAB CORNERS)
- 9 #3 DOWELS @ 48" O.C.
- 10 #3 STIRRUPS @ 48" O.C.
- 11 (3) #4's CONTINUOUS TO BOTTOM.
- 12 EXISTING FOUNDATION
- 13 EXISTING BUILDING FOOTING & FOUNDATION
- 14 1" ISOLATION JOINT WITH ASPHALTIC FILLER & SEALANT
- 15 CONTINUOUS FOOTING REINFORCEMENT TO RUN THROUGH COLUMN FOUNDATIONS. SEE SECTION 12 FOR REINFORCEMENT INFORMATION.
- 16 COLUMN FOOTING REINFORCEMENT-SEE FOUNDATION SCHEDULE.
- 17 DRILL 6" DEEP HOLES FOR #4x1'-6" DOWELS @ 24" O.C. AND ADHERE IN PLACE. SEE ADHESIVE ANCHOR SYSTEM NOTES SHEET S1 FOR INSTALLATION
- 18 PAVING. SEE SITE DEVELOPMENT DRAWINGS FOR ADDITIONAL INFORMATION.
- 19 SEE GRADING PLAN FOR FINISHED GRADES.
- 20 DRILL 6" DEEP HOLES INTO EXISTING FOUNDATIONS FOR #4x1'-6" DOWELS MATCHING QUANTITY AND SPACING OF NEW FOOTING REINFORCEMENT. EPOXY IN PLACE. SEE SHEET S1 ADHESIVE ANCHOR INSTALLATION



O'Reilly AUTO PARTS
 CORPORATE OFFICES
 233 SOUTH PATTERSON
 SPRINGFIELD, MISSOURI 65802
 (417) 862-2674 TELEPHONE

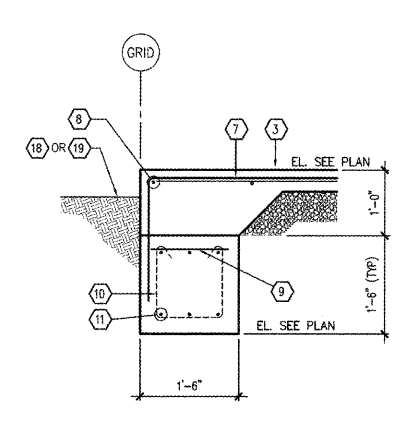
PROJECT: (ADDITION)
O'REILLY AUTO PARTS STORE
 2730 HIGHWAY 80 EAST
 PEARL, MISSISSIPPI

JS Smith Consulting Engineers, P.C.
 Mississippi State Certificate of Authority No. S-200002070
 Jeffrey S. Smith P.E. 12131
 P.O. Box 8102, COPLIN, MISSISSIPPI 38602
 PHONE: 417-624-0444 • FAX: 417-624-0430

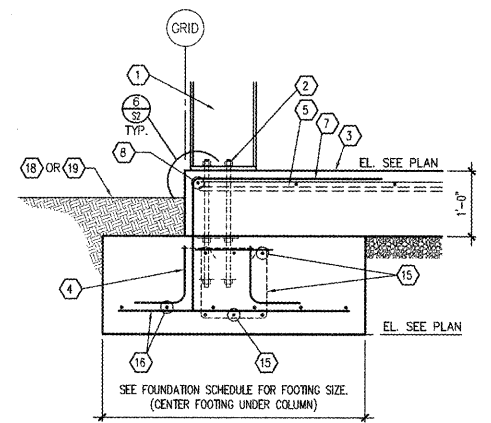
DRAWN BY: **MW** CHECKED BY: **AS, JS**
 DATE: **04/26/18**
 REVISION:
 PROJECT NUMBER:
PEA-0994
 SHEET NUMBER

S2

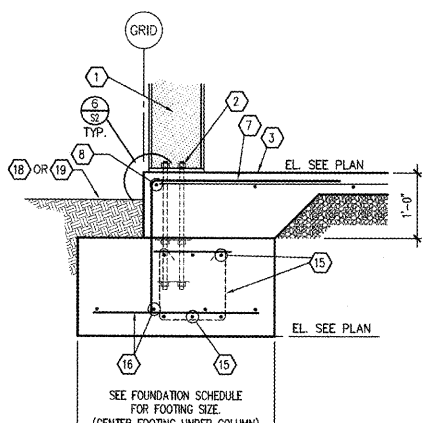
© COPYRIGHT 2018 BY JS Smith Consulting Engineers, P.C. ALL RIGHTS RESERVED. REPRODUCTION PROHIBITED WITHOUT THE EXPRESSED WRITTEN CONSENT OF THE DESIGN PROFESSIONAL.



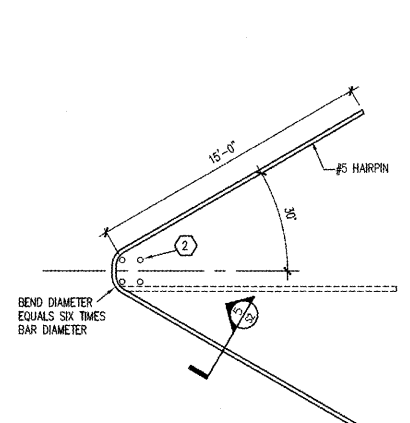
1 SECTION
 S2 SCALE: 3/4" = 1'-0"



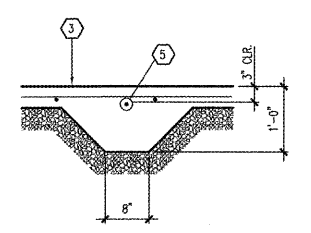
2 SECTION
 S2 SCALE: 3/4" = 1'-0"



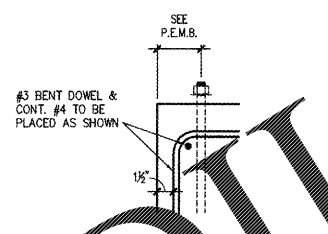
3 SECTION
 S2 SCALE: 3/4" = 1'-0"



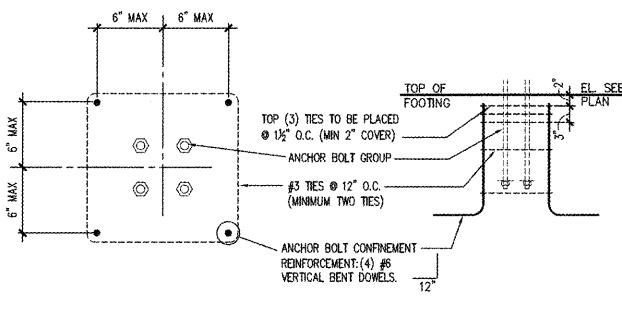
4 TYPICAL HAIRPIN DETAIL
 S2 SCALE: NONE



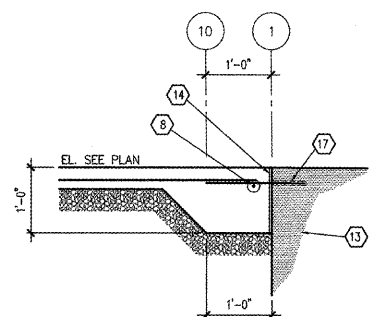
5 SECTION
 S2 SCALE: 3/4" = 1'-0"



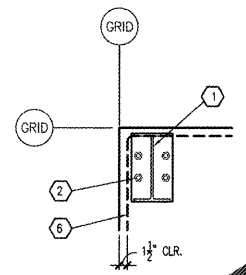
6 DETAIL
 S2 SCALE: 3/4" = 1'-0"



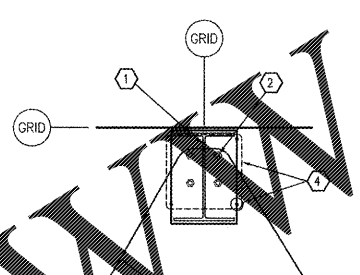
7 SECTION
 S2 SCALE: VARIES



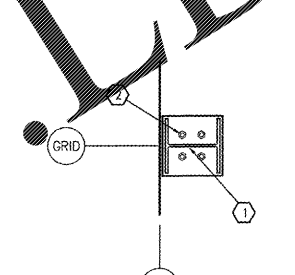
8 SECTION
 S2 SCALE: 3/4" = 1'-0"



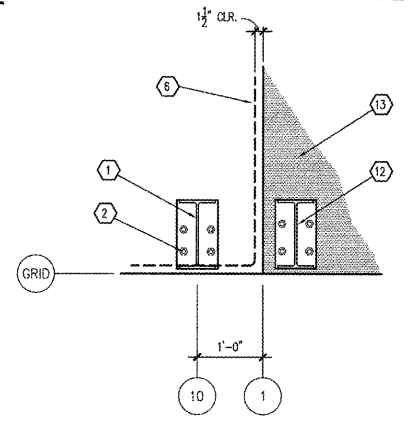
9 DETAIL
 S2 SCALE: 3/4" = 1'-0"



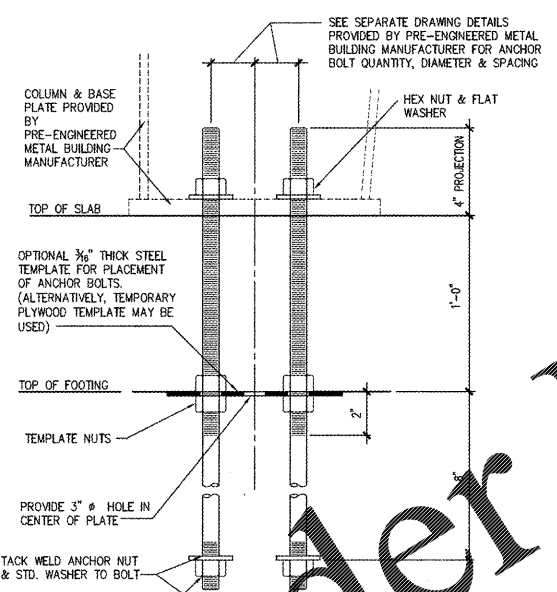
10 DETAIL
 S2 SCALE: 3/4" = 1'-0"



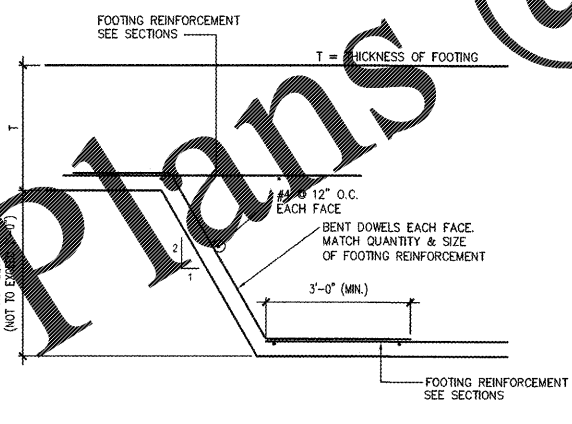
11 DETAIL
 S3.2 SCALE: 3/4" = 1'-0"



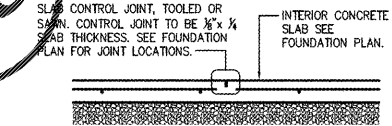
12 DETAIL
 S3.2 SCALE: 3/4" = 1'-0"



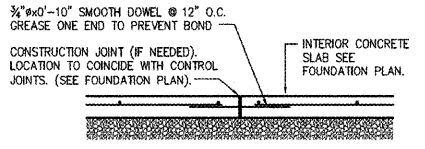
13 ANCHOR ASSEMBLY
 S2 SCALE: NONE



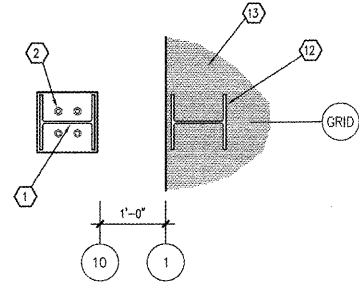
14 TYPICAL STEPPED FOOTING
 S2 SCALE: NONE



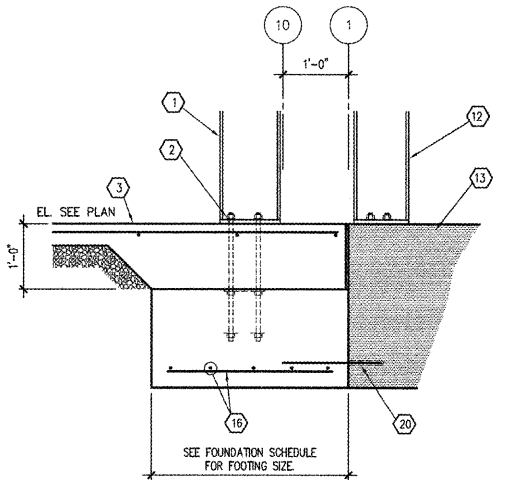
15 TYP. CONTROL JOINT DETAIL
 S2 SCALE: 3/4" = 1'-0"



16 TYP. CONSTR. JOINT DETAIL
 S2 SCALE: 3/4" = 1'-0"



17 DETAIL
 S2 SCALE: 3/4" = 1'-0"



18 SECTION
 S2 SCALE: 3/4" = 1'-0"

Order Plans @ www.lordline.com