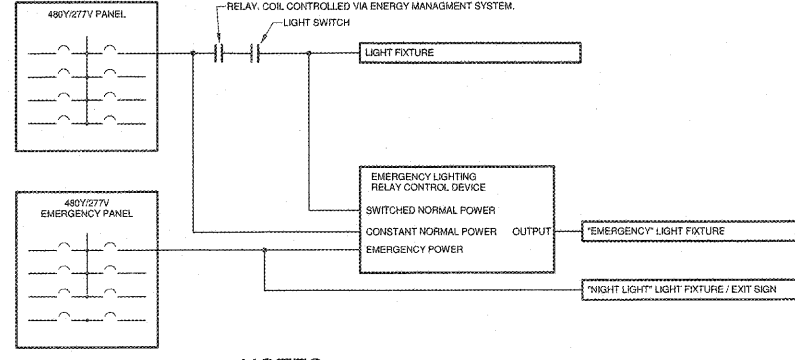


NOTES:

1. WIRE EMERGENCY LIGHTING RELAY CONTROL DEVICE ACCORDING TO MANUFACTURER'S INSTRUCTIONS.
2. NEUTRAL WIRE, GROUND WIRE AND DIMMING WIRES ARE NOT SHOWN FOR CLARITY.
3. ENERGY MANAGEMENT SYSTEM TO CONTROL COIL OF RELAY. OCCUPANCY SENSOR TO BE PROVIDED BY ENERGY MANAGEMENT SYSTEM.

3 STUDIO EMERGENCY LIGHT FIXTURE WIRING DIAGRAM
NOT TO SCALE



NOTES:

1. WIRE EMERGENCY LIGHTING RELAY CONTROL DEVICE ACCORDING TO MANUFACTURER'S INSTRUCTIONS.
2. NEUTRAL WIRE, GROUND WIRE AND DIMMING WIRES ARE NOT SHOWN FOR CLARITY.
3. ENERGY MANAGEMENT SYSTEM TO CONTROL COIL OF RELAY. OCCUPANCY SENSOR TO BE PROVIDED BY ENERGY MANAGEMENT SYSTEM.

2 LIGHT FIXTURE WIRING DIAGRAM
NOT TO SCALE

PROJECT SPECIAL NOTES

1. NO CONDUIT SHALL BE INSTALLED IN ANY FLOOR SLAB THAT IS NOT ON GRADE. NO EXCEPTIONS. CONDUIT SHALL BE INSTALLED OVERHEAD OR ROUTED THROUGH THE SLAB AND INSTALLED ABOVE THE CEILING OF THE LEVEL BELOW.

LIGHTING PLAN NOTES

1. CONTRACTOR SHALL BE RESPONSIBLE FOR DETERMINING NUMBER OF CONDUCTORS IN BRANCH CIRCUITS AND SWITCH LEGS.
2. SEE SHEET E1.01 FOR LIGHTING PLAN KEYNOTES.

LIGHTING PLAN KEYNOTES

VALUE	NOTE
L1	WALL MOUNT LIGHT. VERIFY MOUNTING LOCATION OF LIGHT AND SWITCH WITH ELEVATOR INSTALLER. LIGHT AND SWITCH SHALL NOT INTERFERE WITH ELEVATOR OPERATION.
L2	CONNECT TO DIMMER PANEL FOR ALL DIMMABLE LIGHTS.
L3	LIGHT TO OPERATE IN EMERGENCY MODE ONLY. SEE DETAIL.
L4	MOUNT IN ACCESSIBLE LOCATION IN CLASSROOM OR CORRIDOR.

ROBERTSON DIA ROOF ARCHITECTS ENGINEERS
Suite 275
2460 Preston Ridge Rd
770.674.2800 / www.rdia.com
Atlanta, GA 30005



(Facility No. 642-0198)

Dawson County College and Career Academy
Dawsonville, Georgia
for **Dawson County Schools**
Overall Squarefootage = 55,800 SF
PTE = 1055

REVISIONS

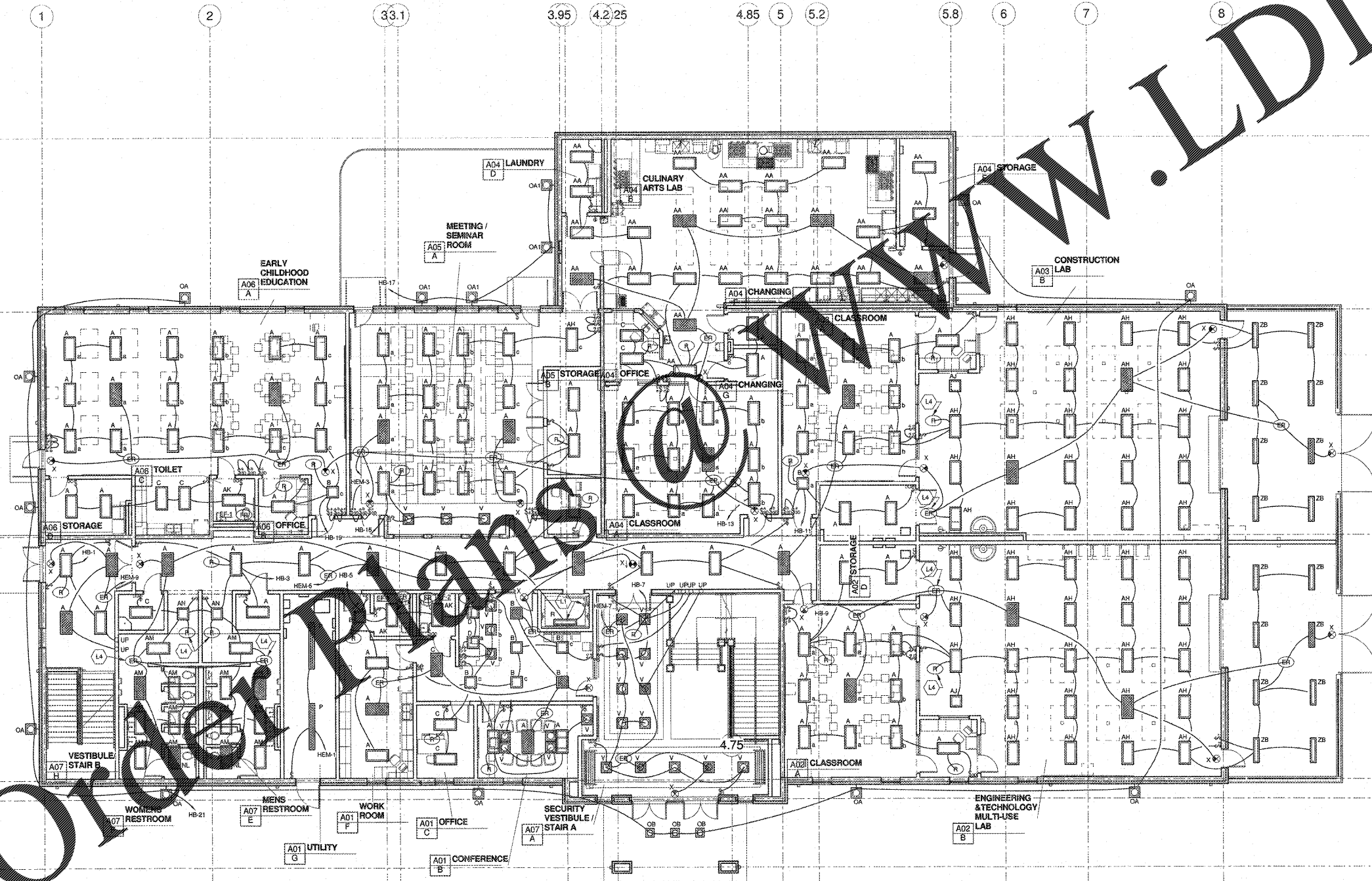
NO.	DATE	DESCRIPTION

PROJECT: **LIGHTING PLAN - LOWER LEVEL**
DATE: **04-24-2018**

PROJECT NUMBER: **17-303**

SHEET NUMBER: **E1.01**

NEW COLLEGE AND CAREER ACADEMY



1 LIGHTING PLAN - LOWER LEVEL
1/8" = 1'-0"

KEY PLAN

