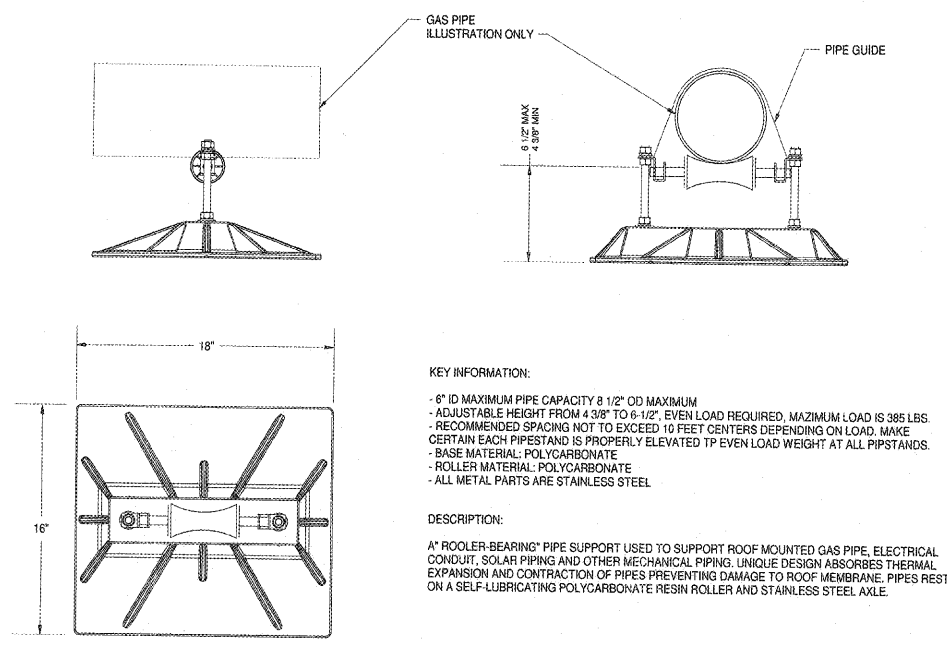


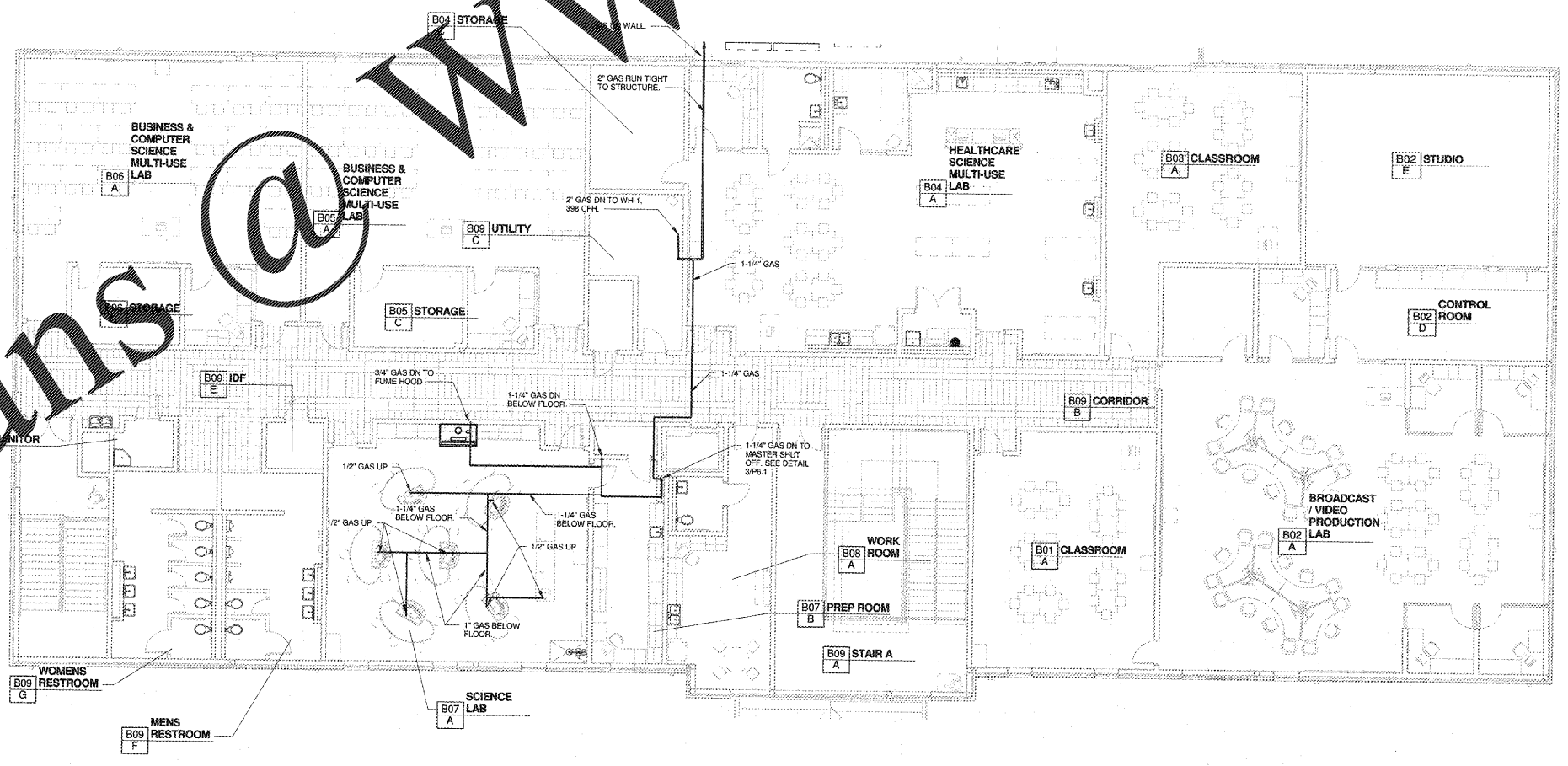
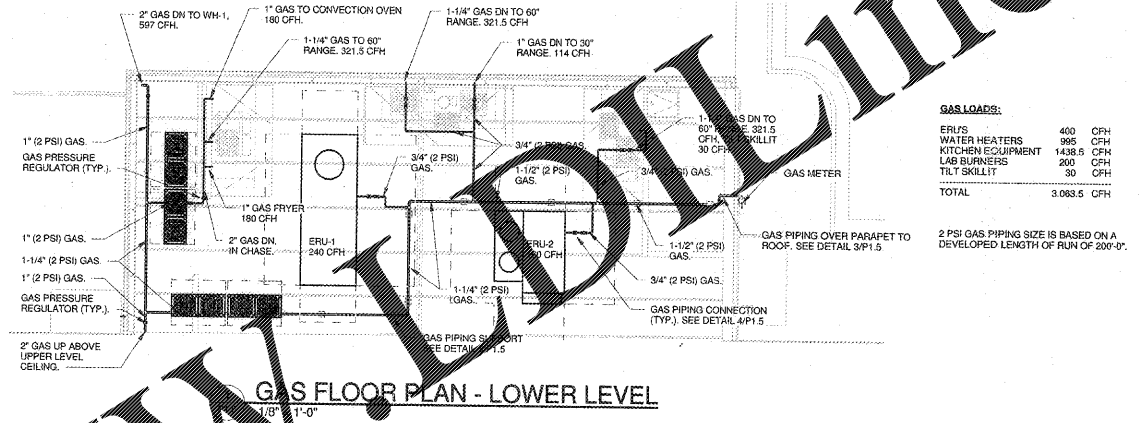
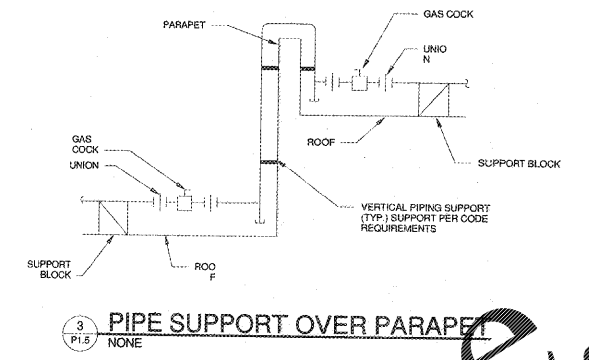
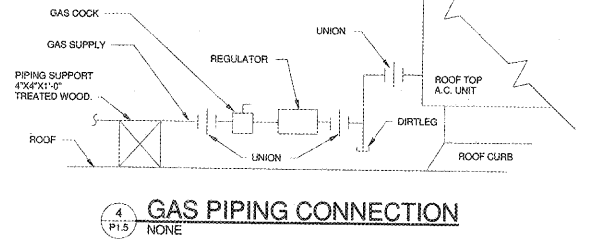


REVISION	

DATE: 05-07-2018	
PROJECT NUMBER: 17-303	
SHEET NUMBER: P1.5	



5 P1.5 GAS PIPING SUPPORT
 1/8" = 1'-0"



2 P1.5 GAS FLOOR PLAN - UPPER LEVEL
 1/8" = 1'-0"

Order Plans @ www.rhp.com