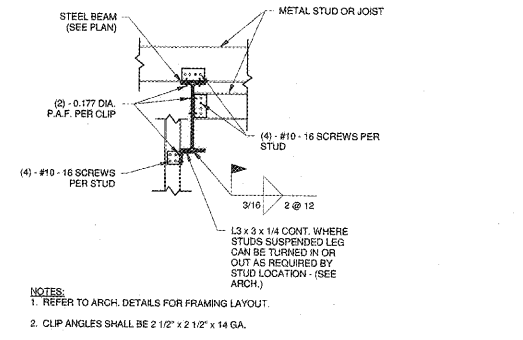
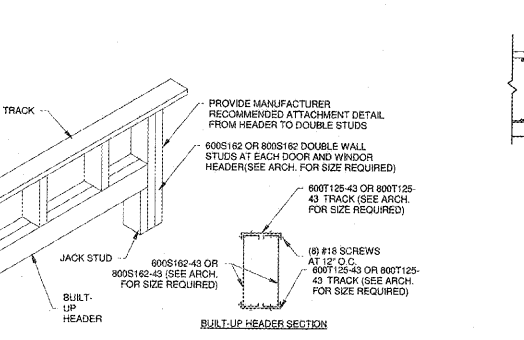


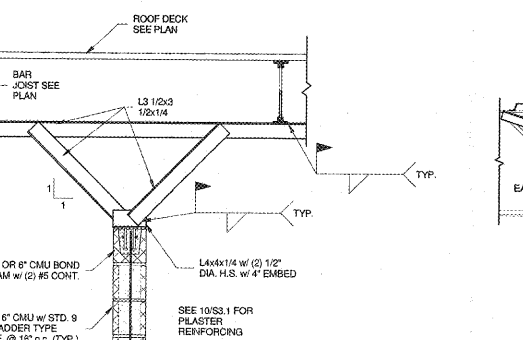
1 METAL STUD TRACK AND BRIDGING
3/4" = 1'-0"



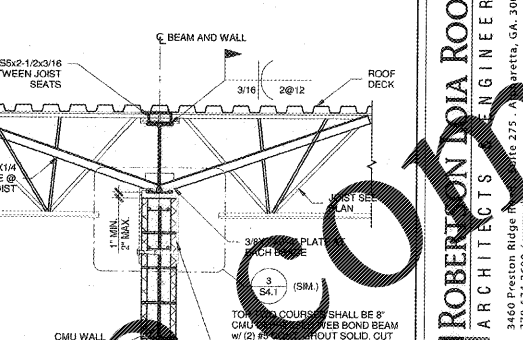
2 TYPICAL STUD CONNECTIONS
3/4" = 1'-0"



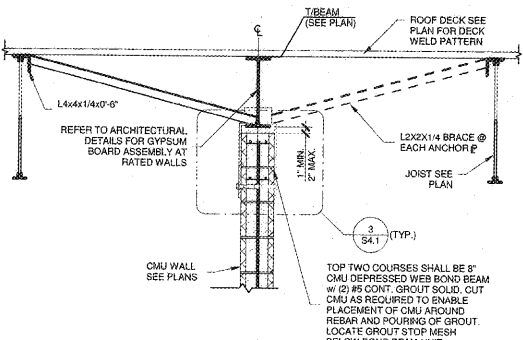
3 METAL STUD OPENING FRAMING
3/4" = 1'-0"



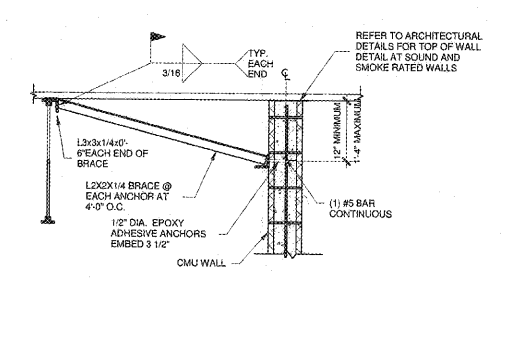
4 INTERIOR CMU PARTITION BRACING
DETAIL
3/4" = 1'-0"



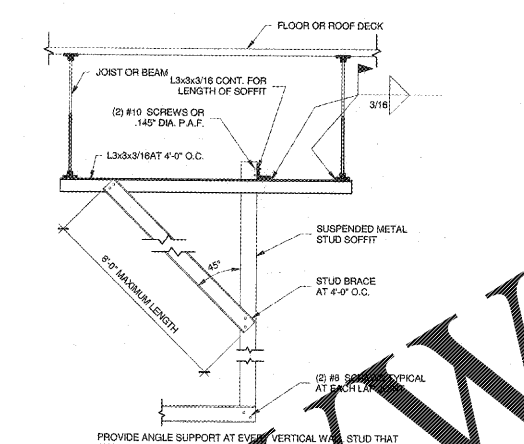
5 ROOF SECTION INTERIOR WALL JOIST
BRACING
3/4" = 1'-0"



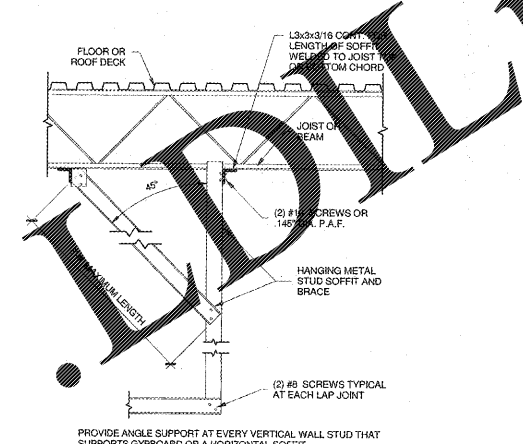
6 ROOF SECTION INTERIOR WALL DECK
BEARING
3/4" = 1'-0"



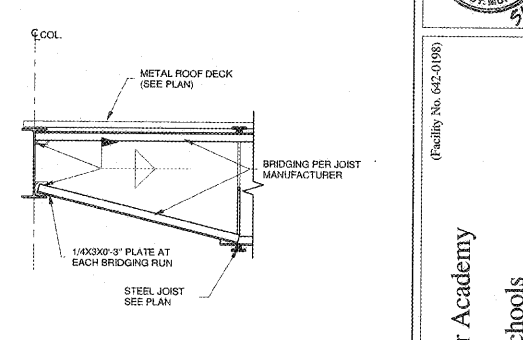
7 INTERIOR WALL DECK ANCHOR
3/4" = 1'-0"



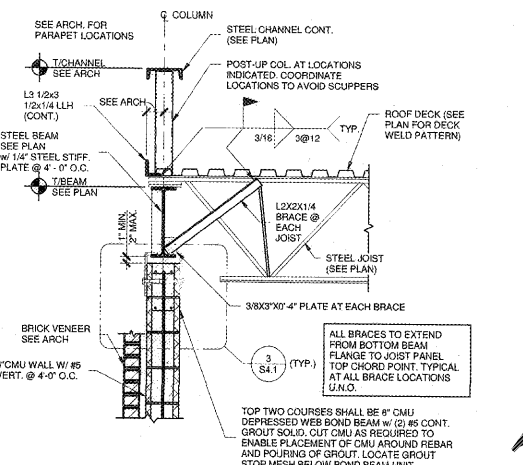
8 SOFFIT PARALLEL JOIST
SUPPORT
3/4" = 1'-0"



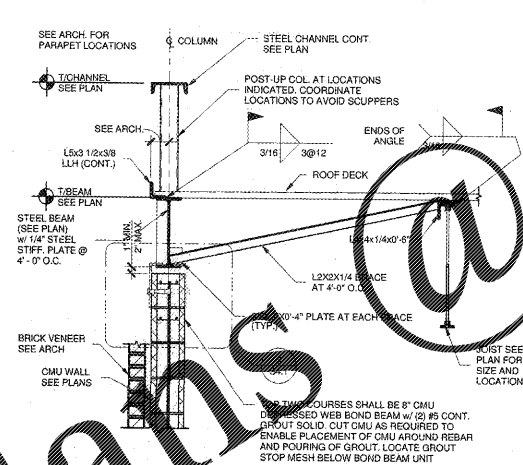
9 SOFFIT PERPENDICULAR TO JOIST
SUPPORT PERP.
3/4" = 1'-0"



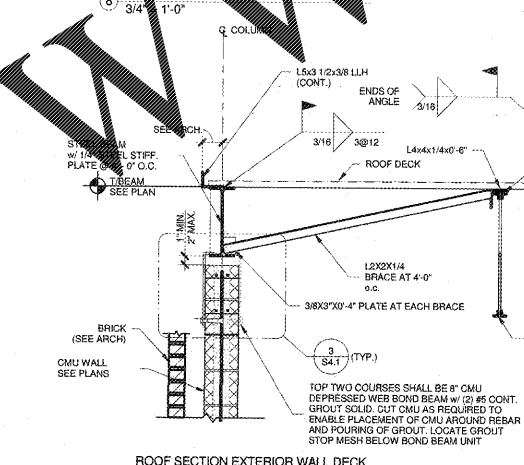
10 JOIST BRIDGING ANCHOR
3/4" = 1'-0"



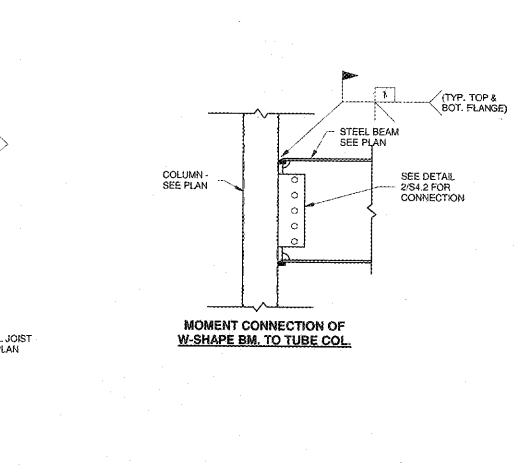
11 ROOF SECTION EXTERIOR WALL JOIST
BEARING @ 8\"/>



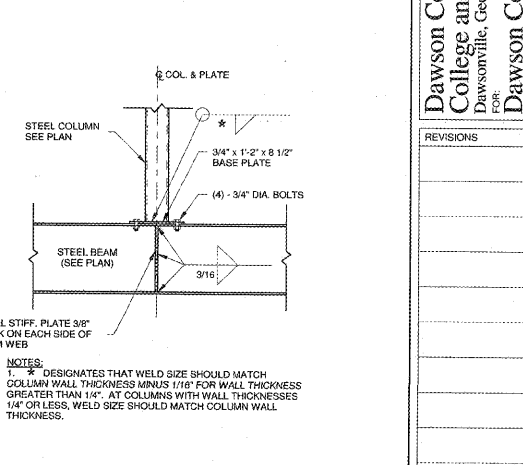
12 ROOF SECTION EXTERIOR WALL DECK
BEARING @ 8\"/>



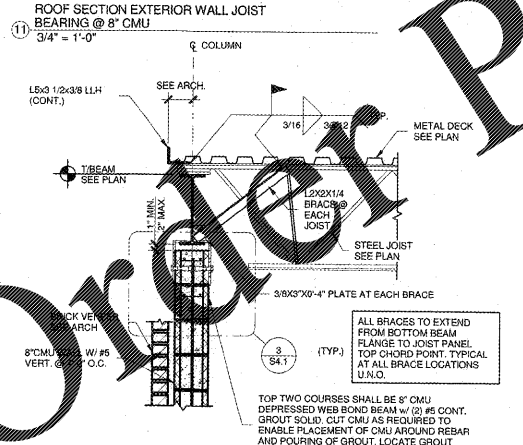
13 ROOF SECTION EXTERIOR WALL DECK
BEARING (NO PARAPET)
3/4" = 1'-0"



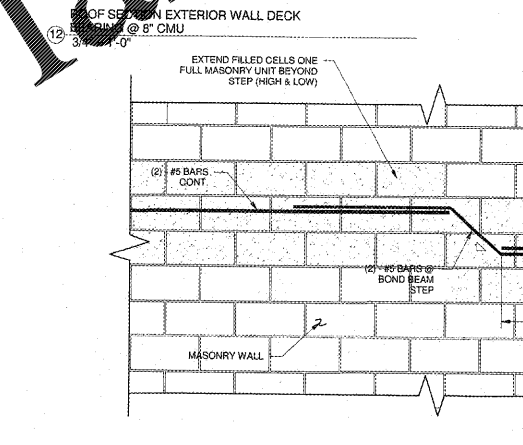
14 TYP. TUBE COL. MOMENT CONN.
3/4" = 1'-0"



15 COLUMN POST-UP DETAIL
3/4" = 1'-0"



16 ROOF SECTION EXTERIOR WALL JOIST
BEARING @ 8\"/>



17 BOND BEAM STEP DETAIL
3/4" = 1'-0"

ROBERTSON INDIA ROOF ARCHITECTS ENGINEERS
3460 Preston Ridge
Marietta, GA 30066
770.974.2600 / www.rindia.com



Facility No. 642-0198
Dawson County College and Career Academy
Dawsonville, Georgia
FOR: **Dawson County Schools**
Overall Squarefootage = 35,800 SF
FTE = 1625
TEL. # 771 (Existing) + 11 (New) = 88 TUS

NO.	REVISIONS

FRAMING SECTIONS & DETAILS
DATE: 05-07-2018
PROJECT NUMBER: 17-303
SHEET NUMBER: **S4.3**