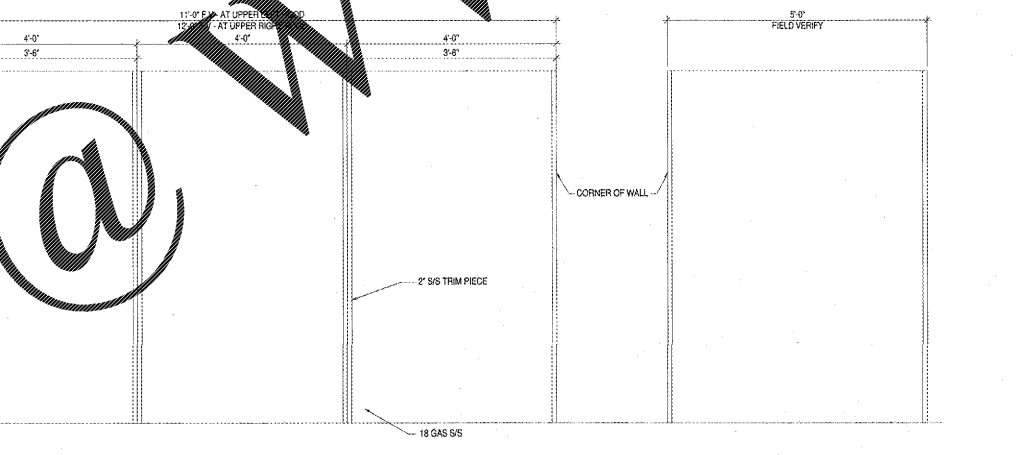
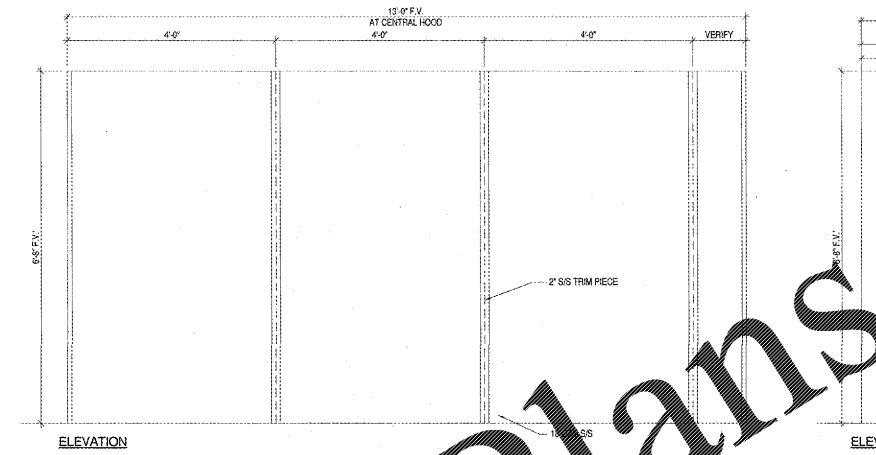


1 FOUR COMPARTMENT SINK
FS1.1 SCALE: 3/4" = 1'-0" ITEM NO. K1

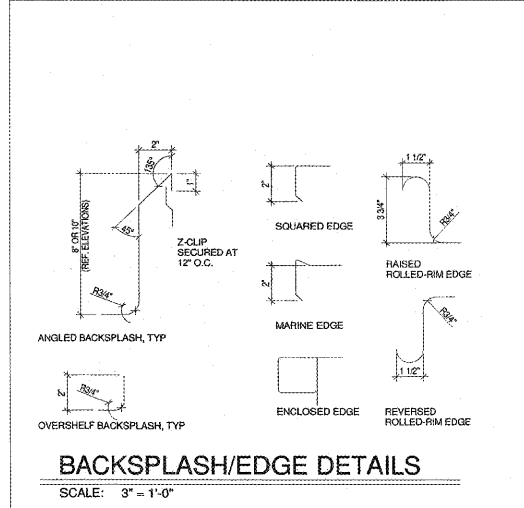
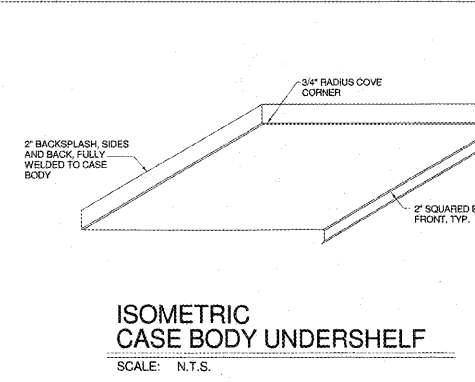
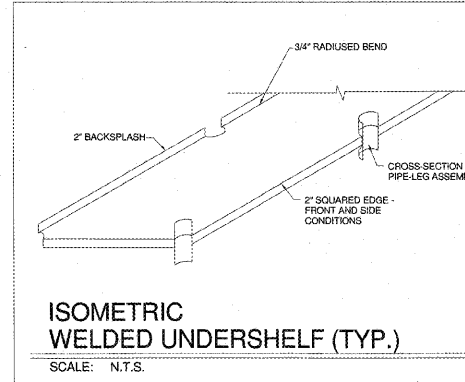
2 DIRTY DISHTABLE W/ SINK
FS1.1 SCALE: 3/4" = 1'-0" ITEM NO. K4

3 CLEAN DISHTABLE
FS1.1 SCALE: 3/4" = 1'-0" ITEM NO. K7



4 STAINLESS STEEL WALL PANELS
FS1.1 SCALE: 3/4" = 1'-0" ITEM NO. K12

5 STAINLESS STEEL WALL PANELS
FS1.1 SCALE: 3/4" = 1'-0" ITEM NO. K12



Order Plans @ WWW.LDLine.com

ROBERSON INDIA ROOF ARCHITECTS ENGINEERS
3400 Preston Ridge Rd., Suite 275, Marietta, GA 30065
770.574.2600 / www.rir.com



Dawson County College and Career Academy
Dawsonville, Georgia
FOR: Dawson County Schools
Overall Square Footage = 35,800 SF
LTS = 1625
JLB = 74 (Existing) + 11 (New) = 85 U.S.

NO.	REVISIONS

FOOD SERVICE EQUIPMENT DETAILS

DATE: 05-07-2018
PROJECT NUMBER: 17-303

SHEET NUMBER: FS-1.1