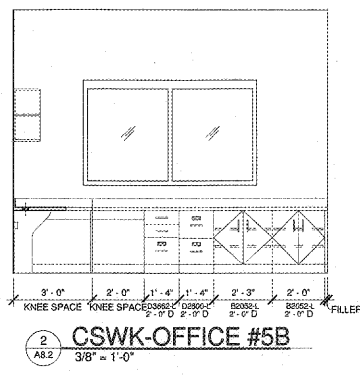
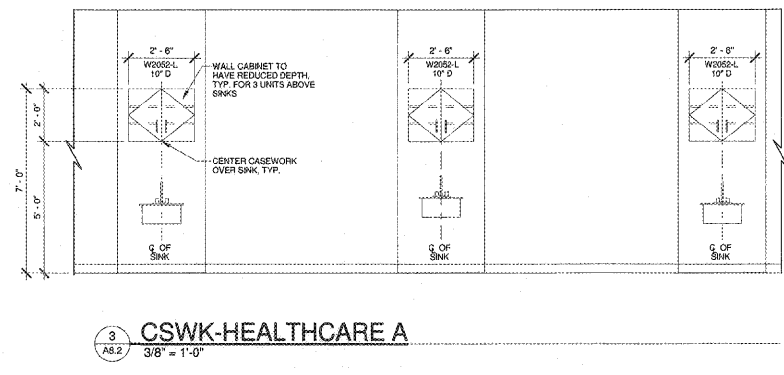


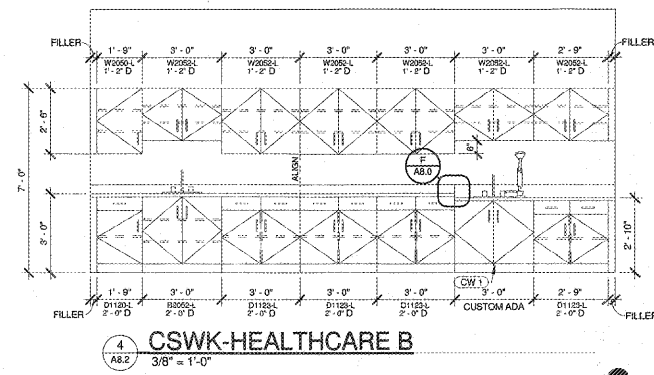
1 CSWK-OFFICE #5A  
3/8" = 1'-0"



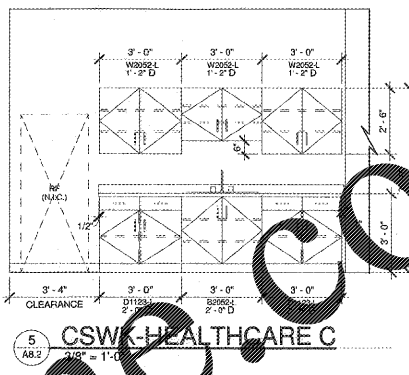
2 CSWK-OFFICE #5B  
3/8" = 1'-0"



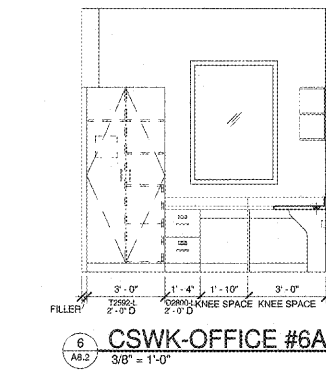
3 CSWK-HEALTHCARE A  
3/8" = 1'-0"



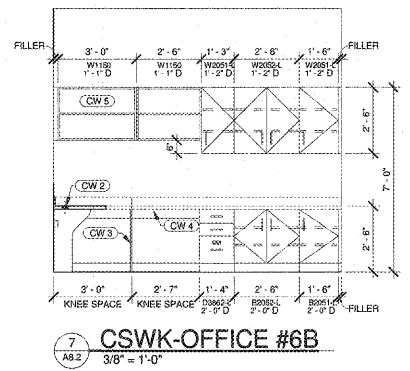
4 CSWK-HEALTHCARE B  
3/8" = 1'-0"



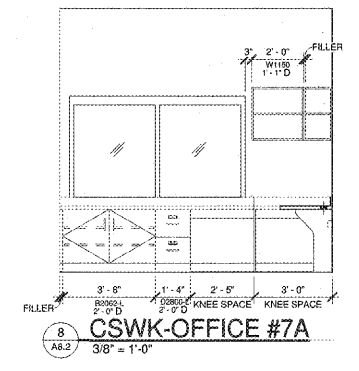
5 CSWK-HEALTHCARE C  
3/8" = 1'-0"



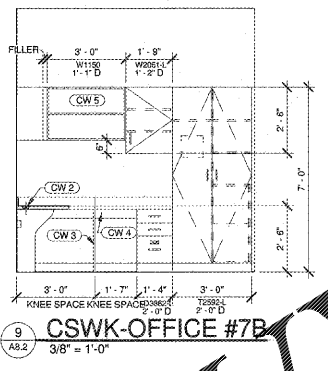
6 CSWK-OFFICE #6A  
3/8" = 1'-0"



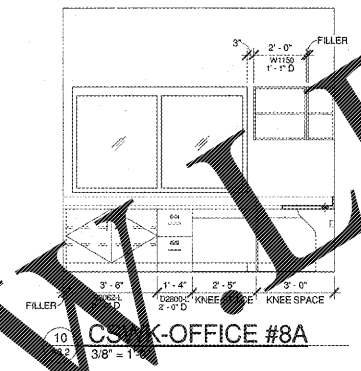
7 CSWK-OFFICE #6B  
3/8" = 1'-0"



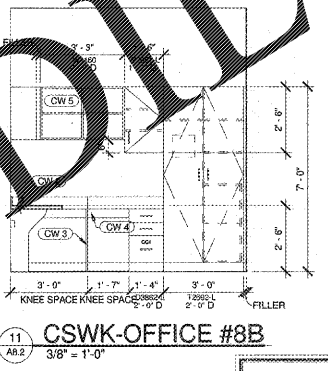
8 CSWK-OFFICE #7A  
3/8" = 1'-0"



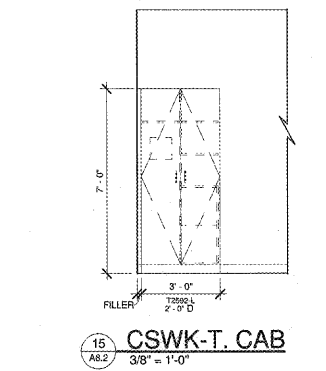
9 CSWK-OFFICE #7B  
3/8" = 1'-0"



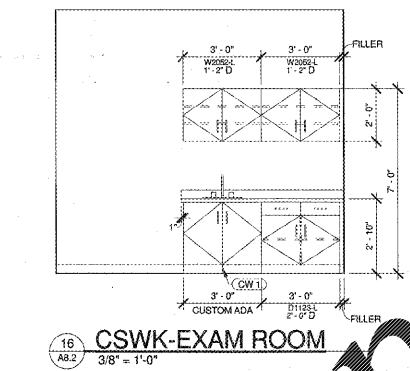
10 CSWK-OFFICE #8A  
3/8" = 1'-0"



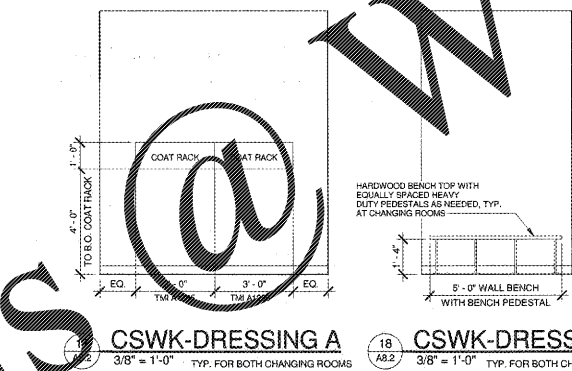
11 CSWK-OFFICE #8B  
3/8" = 1'-0"



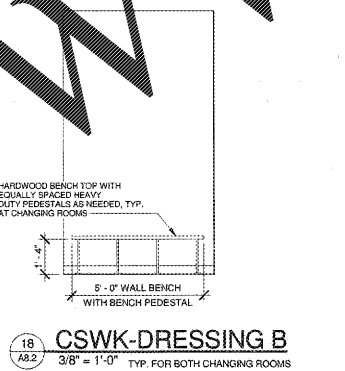
15 CSWK-T. CAB  
3/8" = 1'-0"



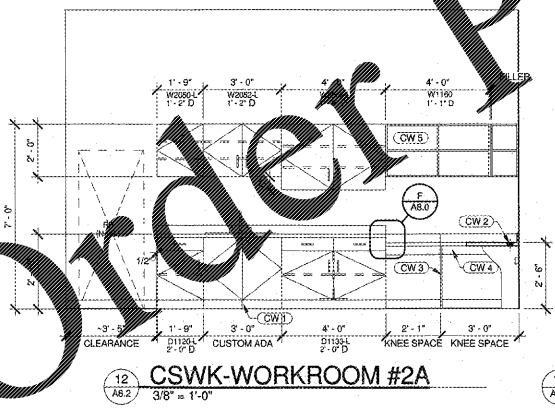
16 CSWK-EXAM ROOM  
3/8" = 1'-0"



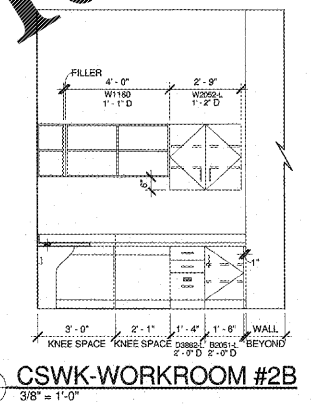
17 CSWK-DRESSING A  
3/8" = 1'-0" TYP. FOR BOTH CHANGING ROOMS



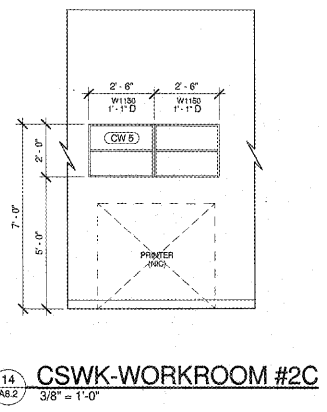
18 CSWK-DRESSING B  
3/8" = 1'-0" TYP. FOR BOTH CHANGING ROOMS



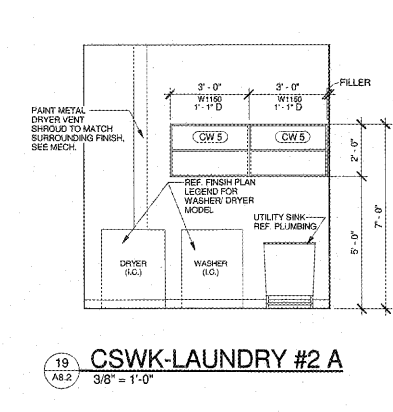
12 CSWK-WORKROOM #2A  
3/8" = 1'-0"



13 CSWK-WORKROOM #2B  
3/8" = 1'-0"



14 CSWK-WORKROOM #2C  
3/8" = 1'-0"



19 CSWK-LAUNDRY #2 A  
3/8" = 1'-0"

CASEWORK LEGEND

- GROMMET LOCATION, TYP. X A.X.X CASEWORK ELEVATION INDICATOR
- GENERAL NOTES
  - A. SEE SPECIFICATIONS FOR MANUFACTURER AND FINISH REQUIREMENTS FOR ALL TYPES OF CASEWORK SHOWN. THESE DRAWINGS INCLUDE THE FOLLOWING TYPES OF CASEWORK:
    - LABORATORY CASEWORK AND FUME HOOD (SPECIFICATION SECTION 12345)
    - MANUFACTURED CASEWORK (SPECIFICATION SECTION 12370)
    - CUSTOM CASEWORK (SPECIFICATION SECTION 12370)
  - B. ARCHITECT TO DEFINE ALL COLOR SELECTIONS ON MANUFACTURER'S SHOP DRAWINGS.
  - C. IN ADDITION TO TYPICAL WALL INSTALLATION, RESILIENT BASE SHALL WRAP ALL BASE CABINETS SHOWN, UNLESS NOTED OTHERWISE.
  - D. PROVIDE ADEQUATE SUPPORT FOR ALL FREESTANDING COUNTERTOPS. SUBMIT COUNTERTOP SUPPORT DETAILS ALONG WITH SHOP DRAWINGS FABRICATION DETAILS.
  - E. ALL EXPOSED 2X4 RAILERS TO BE PAINTED TO MATCH ADJACENT WALL COLOR.
  - F. SPECIAL CONDITION ELECTRICAL, MECHANICAL AND PLUMBING REQUIREMENTS GENERALLY DEFINED IN THESE DRAWINGS. REFERENCE M/E/P FOR ACTUAL EXTENTS.
  - G. PROVIDE FILLER PANELS AS NEEDED AT ALL WALLS ADJACENT TO BASE AND WALL CABINETS OR WHERE INDICATED IN ELEVATIONS. FILLERS TO BE THE SAME COLOR AS ADJACENT BASE OR WALL CABINET FACE.
  - H. ALIGN WALL CABINET SEAMS WITH BASE CABINET SEAMS, UNLESS INDICATED OTHERWISE.
  - I. AN "L" DESIGNATION AFTER MODEL NUMBER INDICATES A LOCKABLE CABINET.

12370 MANUFACTURED CASEWORK

- MA. MODEL NUMBERS INDICATED FOR ALL CABINETS AND CABINET ACCESSORIES ARE BY TMI AND SERVE AS A BASIS OF DESIGN AND ARE TO ESTABLISH TYPE, SIZE AND FUNCTION ONLY.
- MB. ALL MANUFACTURED CASEWORK COUNTERTOPS SHALL BE PLASTIC LAMINATE OVER 1/2" PARTICULATE BOARD SUBSTRATE, UNLESS NOTED OTHERWISE.
- MC. ALL COUNTERTOPS TO RECEIVE A 4" HIGH BACKSPASH ALONG ALL WALLS AND A SIDESPLASH AT ALL APPLICABLE RETURNS (INCLUDING, BUT NOT LIMITED TO, ADJACENT TALL CABINETS). CAULK ALL JOINTS.
- MD. ALL BASE CABINETS TO BE 2" DEEP X 36" HIGH, UNLESS NOTED OTHERWISE. ALL WALL CABINETS TO BE 14" DEEP (HEIGHT INDICATED IN ELEVATIONS), U.N.O.
- ME. INSTALL ALL WALL CABINETS AT 7'-0" TO TOP OF CABINET, ABOVE FINISHED FLOOR, UNLESS INDICATED OTHERWISE.

12370 CUSTOM CASEWORK

- CC1. ALL EXPOSED PLYWOOD SURFACES SHALL BE FINISHED WITH PLASTIC LAMINATE. LAMINATE COLORS TO BE DEFINED ON REVISIONED SHOP DRAWINGS.
- CC2. CONTRACTOR SHALL SUBMIT SHOP DRAWINGS OF ALL CUSTOM CASEWORK TO ARCHITECT FOR APPROVAL PRIOR TO FABRICATION.
- CC3. CUSTOM RECEPTION DESKS, CUSTOM CIRCULATION DESK & CUSTOM HEALTH OCCUPATION RECEPTION DESK SHALL RECEIVE UP TO 8 DIFFERENT LAMINATE COLORS. ALL SERVICE COUNTERTOPS SHALL RECEIVE A PREMIUM GRADE PLASTIC LAMINATE.

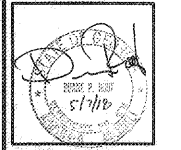
12345 LABORATORY CASEWORK

- LC1. MODEL NUMBERS INDICATED FOR ALL LABORATORY CASEWORK AND ACCESSORIES ARE BY KEWANEE AND SHALL SERVE AS A BASIS OF DESIGN TO ESTABLISH TYPE, SIZE AND FUNCTION ONLY.
- LC2. COUNTERTOP MATERIAL FOR ALL LABORATORY CASEWORK TO BE EPOXY RESIN. ALL COUNTERTOPS TO RECEIVE A 4" RADIUS BACKSPASH.

CASEWORK DRAWING NOTES

CW 1	CUT RESILIENT BASE AT ADA CUSTOM SINK CABINET. INTEGRATED TOE KICK TO BE FINISHED WITH PLASTIC LAMINATE THAT MATCHES ADJACENT RESILIENT BASE.
CW 2	3" DIAMETER (MIN.) GROMMET LOCATION. GROMMET TO BE 4" TO CENTERLINE FROM FACE ADJACENT WALL, TYP.
CW 3	COUNTERTOP SUPPORT, TYP. - SEE DETAIL B/A.8.0.
CW 4	2X4 CONTINUOUS NAILER, TYP.
CW 5	INSIDE PLASTIC LAMINATE OF OPEN SHELVES TO MATCH ADJACENT EXPOSED PLASTIC LAMINATE END PANEL COLOR.

**ROBERTSON INDIA ROOF ARCHITECTS ENGINEERS**  
3460 Preston Ridge Road, Suite 275 - A, Barrett, CA, 94005  
770.674.1200 / www.rir.com



(Facility No. 642-0196)  
**Dawson County College and Career Academy**  
Dawsonville, Georgia  
**Dawson County Schools**  
Overall Squarefootage = 35,800 SF  
LTFE = 1625  
10/19/2017 (Existing) + 11 (New) = 85 TUS

REVISIONS


**MANUFACTURED CASEWORK ELEVATIONS AND DETAILS**

DATE: 05-07-2018  
PROJECT NUMBER: 17-303  
SHEET NUMBER: A8.2