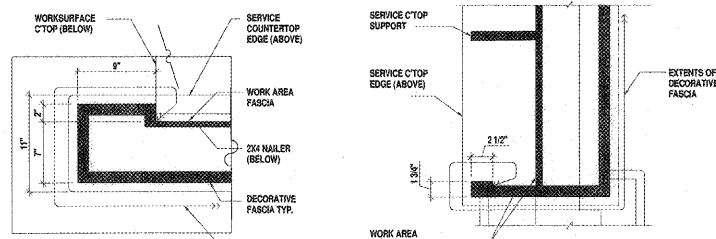
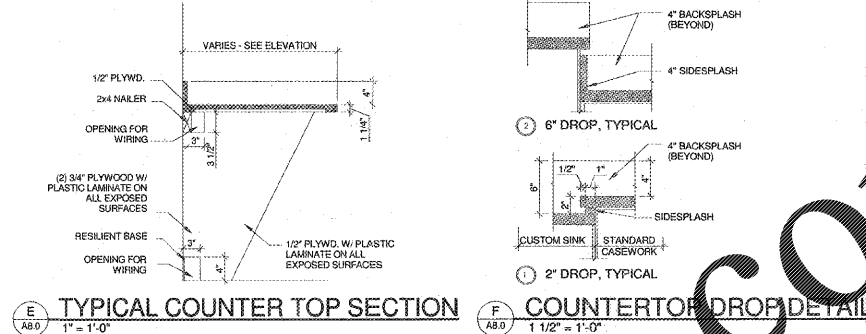


**A TYPICAL WORK COUNTER**  
1 1/2" = 1'-0"

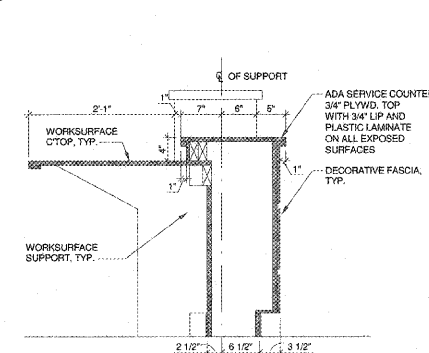


**G RECEPTION DESK PLAN DETAIL**  
1 1/2" = 1'-0"

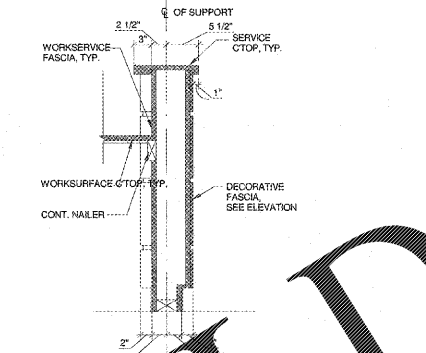


**E TYPICAL COUNTER TOP SECTION**  
1" = 1'-0"

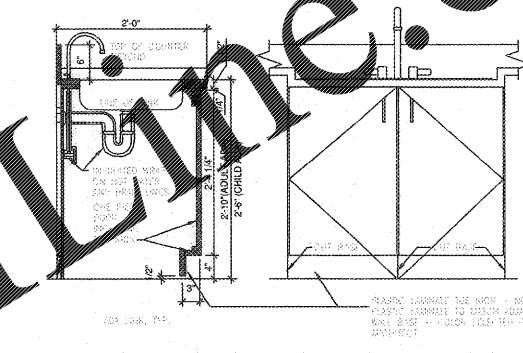
**F COUNTERTOP DROP DETAIL**  
1 1/2" = 1'-0"



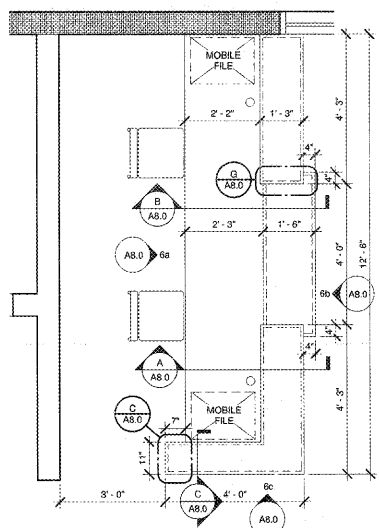
**B TYPICAL ADA SERVICE COUNTER SECTION**  
1" = 1'-0"



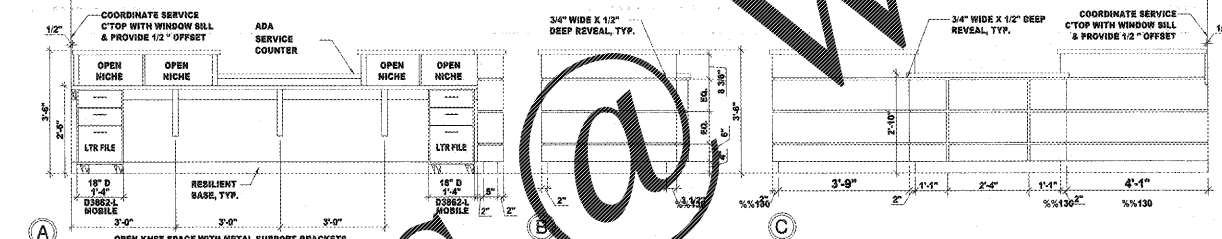
**C STANDARD CASWORK RETURN**  
1" = 1'-0"



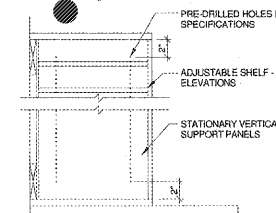
**D TYPICAL ADA SINK CABINET SECTION**  
1" = 1'-0"



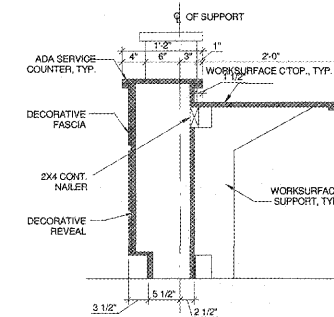
**5 RECEPTION DESK PLAN**  
1/2" = 1'-0"



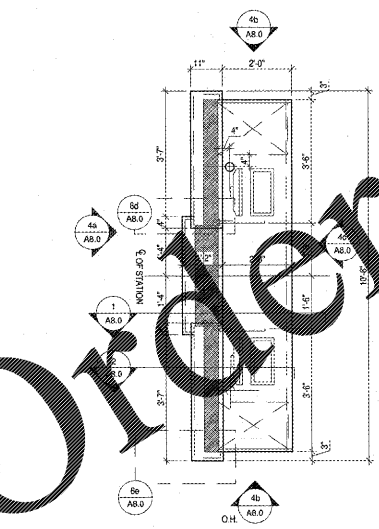
**6 RECEPTION DESK ELEVATION**  
1/2" = 1'-0"



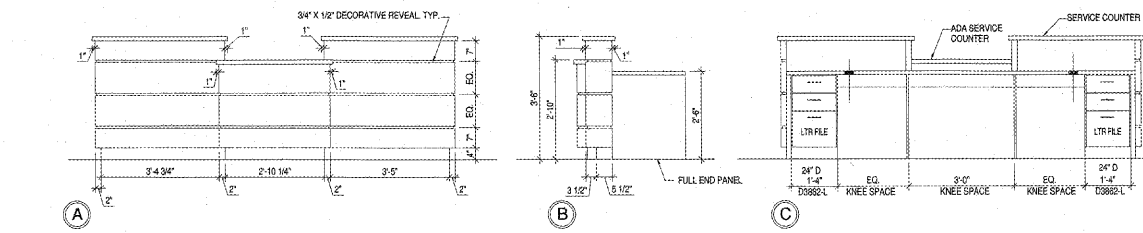
**H CUSTOM MAILBOX DETAIL**  
1 1/2" = 1'-0"



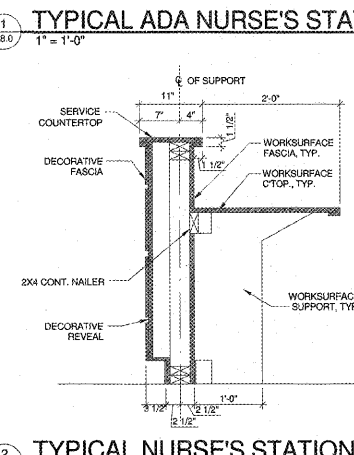
**1 TYPICAL ADA NURSE'S STATION**  
1" = 1'-0"



**3 NURSE STATION PLAN**  
1/2" = 1'-0"



**4 NURSE STATION ELEVATIONS**  
1/2" = 1'-0"



**2 TYPICAL NURSE'S STATION**  
1" = 1'-0"

**CASEWORK LEGEND**

**GENERAL NOTES**

- SEE SPECIFICATIONS FOR MANUFACTURER AND FINISH REQUIREMENTS FOR ALL TYPES OF CASEWORK SHOWN. THESE DRAWINGS INCLUDE THE FOLLOWING TYPES OF CASEWORK:
  - LABORATORY CASEWORK AND FUME HOOD (SPECIFICATION SECTION 12345)
  - MANUFACTURED CASEWORK (SPECIFICATION SECTION 12370)
  - CUSTOM CASEWORK (SPECIFICATION SECTION 12370)
- ARCHITECT TO DEFINE ALL COLOR SELECTIONS ON MANUFACTURER'S SHOP DRAWINGS.
- IN ADDITION TO TYPICAL WALL INSTALLATION, RESILIENT BASE SHALL WRAP ALL BASE CABINETS SHOWN, UNLESS NOTED OTHERWISE.
- PROVIDE ADEQUATE SUPPORT FOR ALL FREESTANDING COUNTERTOPS. SUBMIT COUNTERTOP SUPPORT DETAILS ALONG WITH SHOP DRAWING FABRICATION DETAILS.
- ALL EXPOSED 2X4 NAILERS TO BE PAINTED TO MATCH ADJACENT WALL COLOR.
- SPECIAL CONDITION ELECTRICAL, MECHANICAL AND PLUMBING REQUIREMENTS GENERALLY DEFINED IN THESE DRAWINGS. REFERENCE M.E.P. FOR ACTUAL EXTENTS.
- PROVIDE FILLER PANELS AS NEEDED AT ALL WALLS ADJACENT TO BASE AND WALL CABINETS OR WHERE INDICATED IN ELEVATIONS. FILLERS TO BE THE SAME COLOR AS ADJACENT BASE OR WALL CABINET FACE.
- ALIGN WALL CABINET SEAMS WITH BASE CABINET SEAMS, UNLESS INDICATED OTHERWISE.
- AN "L" DESIGNATION AFTER MODEL NUMBER INDICATES A LOCKABLE CABINET.

**12370 MANUFACTURED CASEWORK**

MA. MODEL NUMBERS INDICATED FOR ALL CABINETS AND CABINET ACCESSORIES ARE BY T.M.I. AND SHALL SERVE AS A BASIS OF DESIGN AND ARE TO ESTABLISH TYPE, SIZE AND FUNCTION ONLY.

MB. ALL "MANUFACTURED CASEWORK" COUNTERTOPS SHALL BE PLASTIC LAMINATE OVER 1/2" PLYWOOD BOARD SUBSTRATE, UNLESS NOTED OTHERWISE.

MC. ALL COUNTERTOPS TO RECEIVE A 4" HIGH BACKSPASH ALONG ALL WALLS AND A SIDESPLASH AT ALL APPLICABLE RETURNS (INCLUDING, BUT NOT LIMITED TO, ADJACENT TALL CABINETS) - CAULK ALL JOINTS.

MD. ALL BASE CABINETS TO BE 24" DEEP X 36" HIGH, UNLESS NOTED OTHERWISE. ALL WALL CABINETS TO BE 14" DEEP HEIGHT INDICATED IN ELEVATIONS. U.N.O. INSTALL ALL WALL CABINETS AT 7'-0" TO TOP OF CABINET, ABOVE FINISHED FLOOR, UNLESS INDICATED OTHERWISE.

**12370 CUSTOM CASEWORK**

CC1. ALL EXPOSED PLYWOOD SURFACES SHALL BE FINISHED WITH PLASTIC LAMINATE. LAMINATE COLORS TO BE DEFINED ON REVIEWED SHOP DRAWINGS.

CC2. CONTRACTOR SHALL SUBMIT SHOP DRAWINGS OF ALL CUSTOM CASEWORK TO ARCHITECT FOR APPROVAL PRIOR TO FABRICATION.

CC3. CUSTOM RECEPTION DESKS, CUSTOM CIRCULATION DESK & CUSTOM HEALTH OCCUPATION RECEPTION DESK SHALL RECEIVE UP TO 6 DIFFERENT LAMINATE COLORS. ALL SERVICE COUNTERTOPS SHALL RECEIVE A PREMIUM GRADE PLASTIC LAMINATE.

**12345 LABORATORY CASEWORK**

LG1. MODEL NUMBERS INDICATED FOR ALL LABORATORY CASEWORK AND ACCESSORIES ARE BY KEMWARR AND SHALL SERVE AS A BASIS OF DESIGN TO ESTABLISH TYPE, SIZE AND FUNCTION ONLY.

LG2. COUNTERTOP MATERIAL FOR ALL LABORATORY CASEWORK TO BE EPOXY RESIN. ALL COUNTERTOPS TO RECEIVE A 4" RADIUS BACKSPASH.

**CASEWORK DRAWING NOTES**

- CW 1 CUT RESILIENT BASE AT ADA CUSTOM SINK CABINET. INTEGRATED TOE KICK TO BE FINISHED WITH PLASTIC LAMINATE THAT MATCHES ADJACENT RESILIENT BASE.
- CW 2 3" DIAMETER (MIN.) GROMMET LOCATION. GROMMET TO BE 4" TO CENTERLINE FROM FACE ADJACENT WALL, TYP.
- CW 3 COUNTERTOP SUPPORT, TYP. - SEE DETAIL B/A8.0.
- CW 4 2X4 CONTINUOUS NAILER, TYP.
- CW 5 INSIDE PLASTIC LAMINATE OF OPEN SHELVES TO MATCH ADJACENT EXPOSED PLASTIC LAMINATE END PANEL COLOR.

**ROBERTSON INDIA ROOF ARCHITECTS & ENGINEERS**  
3560 Preston Ridge Rd., Suite 275 - Marietta, GA 30065  
770.474.2689 / www.rindia.com



Faculty No. 042-0198

Dawson County College and Career Academy  
Dawsonville, Georgia  
Dawson County Schools  
Overall Squarefootage = 35,800 SF  
LFE = 1025

**REVISIONS**

| NO. | DATE | DESCRIPTION |
|-----|------|-------------|
|     |      |             |
|     |      |             |

**MANUFACTURED CASEWORK DETAILS**

DATE: 05-07-2018

PROJECT NUMBER: 17-303

SHEET NUMBER: A8.0