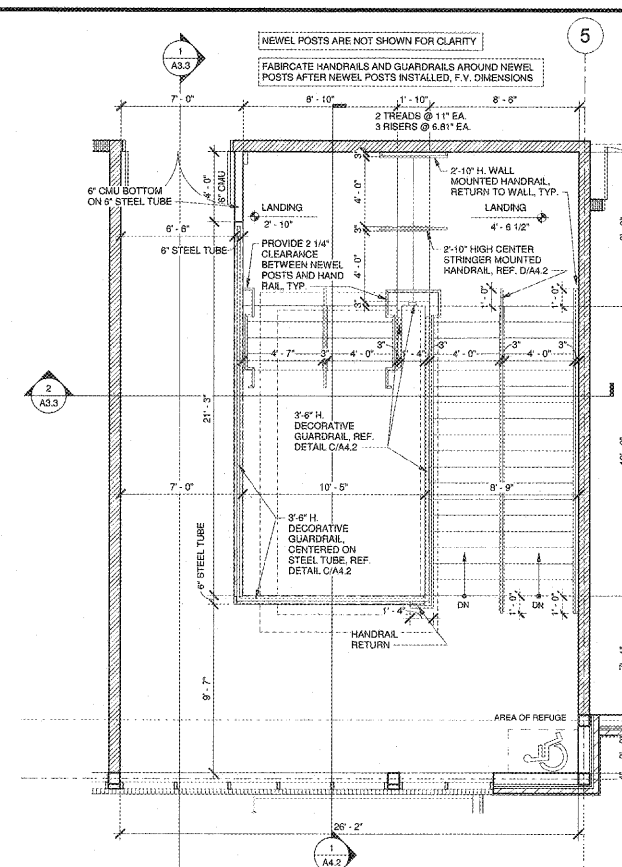
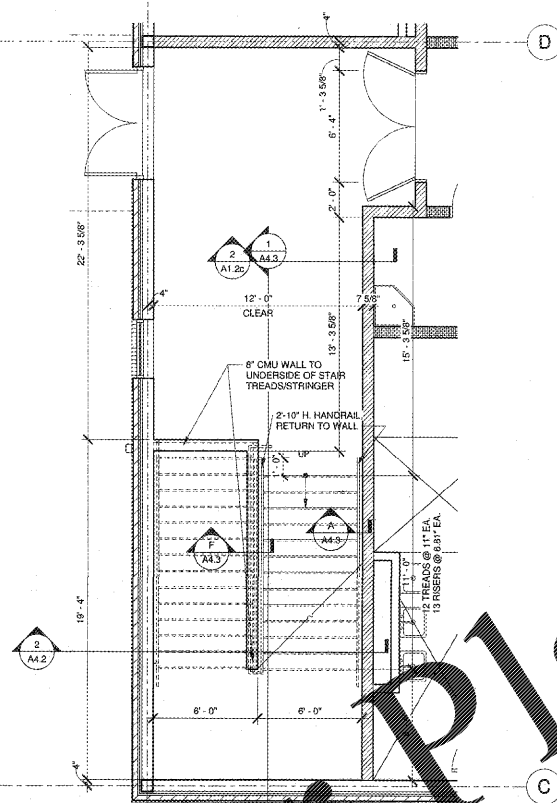


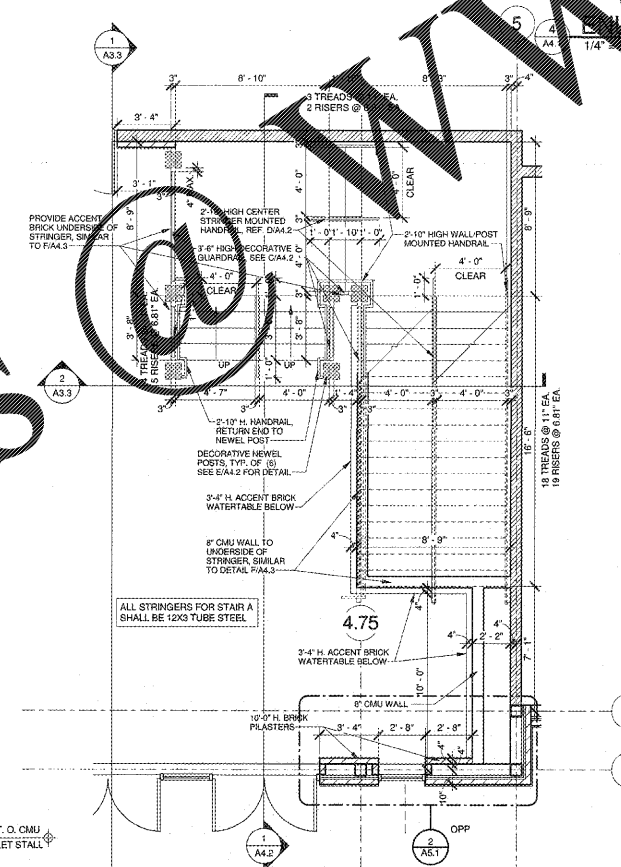
10 STAIR B UPPER LEVEL FLOOR PLAN
A4.1 1/4" = 1'-0"



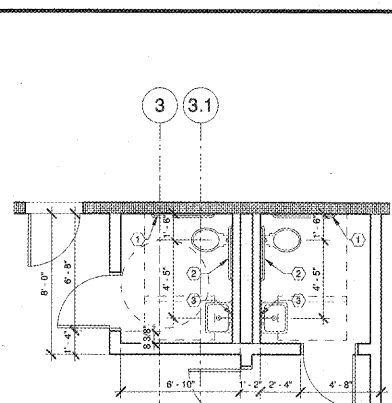
8 STAIR A UPPER LEVEL FLOOR PLAN
A4.1 1/4" = 1'-0"



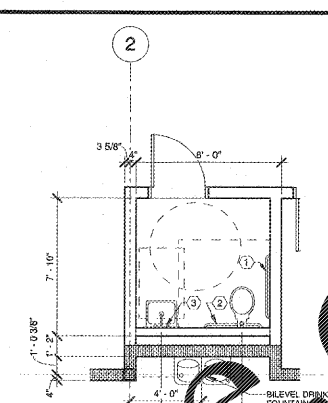
9 STAIR B LOWER LEVEL FLOOR PLAN
A4.1 1/4" = 1'-0"



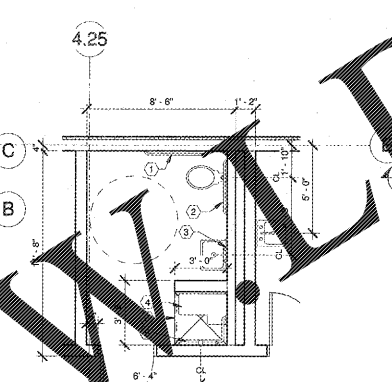
7 STAIR A LOWER LEVEL FLOOR PLAN
A4.1 1/4" = 1'-0"



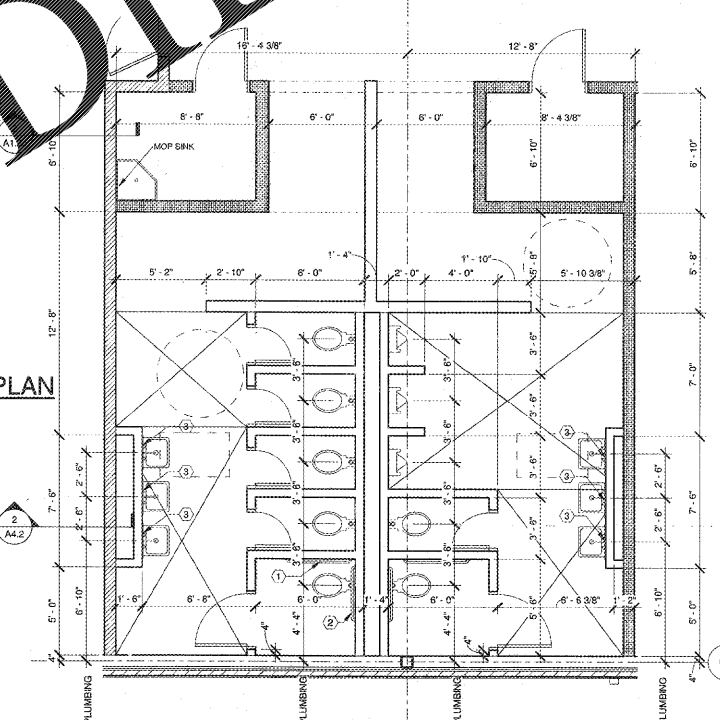
3 ENLARGED ADMIN RESTROOM PLAN
A4.1 1/4" = 1'-0"



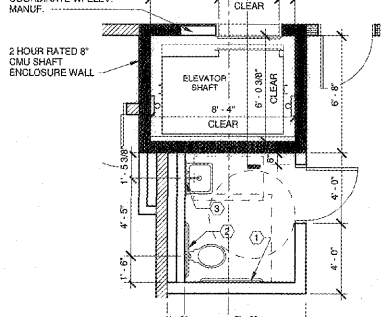
2 ENLARGED EARLY CHILDHOOD RESTROOM PLAN
A4.1 1/4" = 1'-0"



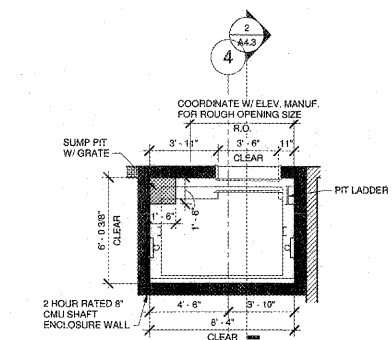
4 ENLARGED HEALTHCARE RESTROOM PLAN
A4.1 1/4" = 1'-0"



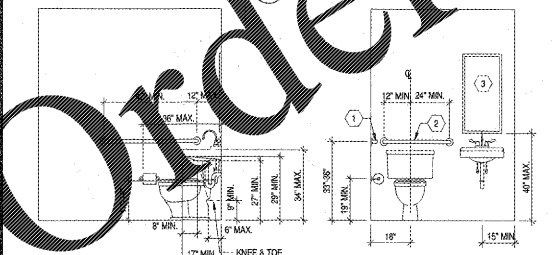
1 ENLARGED GANG RESTROOM PLANS
A4.1 1/4" = 1'-0"
A07E/A07F B09F/B09G



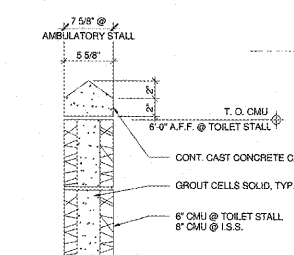
6 ELEVATOR UPPER LEVEL FLOOR PLAN
A4.1 1/4" = 1'-0"
ENLARGED UPPER LEVEL WORKROOM TOILET



5 ELEVATOR LOWER LEVEL FLOOR PLAN
A4.1 1/4" = 1'-0"



A TYPICAL MOUNTING HEIGHTS
A4.1 1/2" = 1'-0"



B TYPICAL TOILET STALL WALL DETAIL
A4.1 1 1/2" = 1'-0"

TOILET PLAN LEGEND	
GENERAL NOTES	
A.	REFER TO PLAN DRAWINGS FOR RESTROOM LOCATION AND ORIENTATION
B.	REFER TO PLUMBING DRAWINGS FOR RESTROOM FIXTURE MODEL NUMBERS, STANDARD INSTALLATION HEIGHTS AND LOCATIONS OF ACCESSIBLE FIXTURES
C.	RESTROOM ACCESSORY MODEL NUMBER BOBRICK. SEE SPECIFICATIONS FOR OTHER APPROVED MANUFACTURERS
TOILET PLAN SYMBOL LEGEND	
①	RESTROOM ACCESSORY NUMBER SEE SCHEDULE BELOW
⊕	FLOOR DRAIN
RESTROOM ACCESSORY SCHEDULE	
Description	Model
1 GRAB BAR 42"	B-5806 Series
2 GRAB BAR 36"	B-5806 Series
3 MIRROR 24 x 36"	B-290 Series
4 FOLDING SHOWER SEAT	B-5181
5 SHOWER GRAB BAR	B-6861 Series
6 SHOWER CURTAIN ROD	B-207
7 ELECTRIC HAND DRYER	N.I.C. See Electrical for Power
INSTALLATION HEIGHT*	
GRAB BARS	PRE-K (2-4 YR) 20" K-5TH (5-12 YR) 25" ADULT (18-12TH OVER 12 YR) 34"
MIRRORS 18" x 24"	34"
MIRRORS 24" x 36"	N/A
SHOWER SEAT	12" 16" 18"
SHOWER ROD	76"
ELECTRIC HAND DRYER	48"
*FOR NOT IN CONTRACT ACCESSORIES MOUNTING HEIGHT, REFER TO SPECIFICATION	

ROBERTSON INDIA ROOF ARCHITECTS ENGINEERS
3468 Preston Ridge Rd., Marietta, GA 30065
770.474.3389 / www.rif.com



(Facility No. 642-0106)
Dawson County College and Career Academy
Dawsonville, Georgia
FOR: **Dawson County Schools**
Overall Squarefootage = 35,800 SF
FTE = 1625
10/25/2018 (Rev. 11/11/18) + 11 (New) = 88 ITL

REVISIONS	

ENLARGED FLOOR PLANS AND DETAILS
DATE: 05-07-2018
PROJECT NUMBER: 17-303
SHEET NUMBER: A4.1