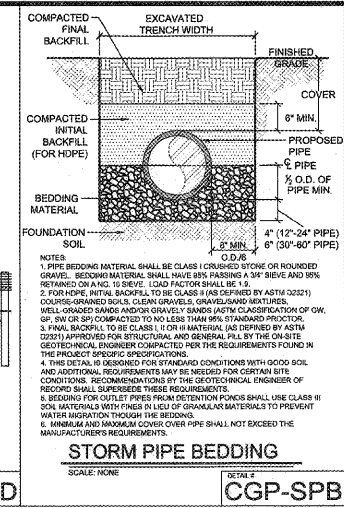


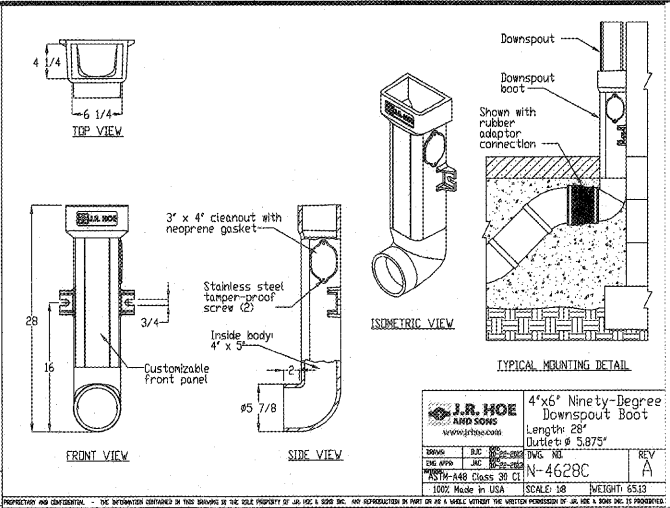
GUARDRAIL DETAIL
SCALE: NONE

CGP-GRD



STORM PIPE BEDDING
SCALE: NONE

CGP-SPB



4"x6" Nine-Bay
Downspout Boot
Length 26'
Ductile # 5875

J.R. HOE
ARD 5085
N-4628C
SCALE: 3/8" = 1'-0"
WEIGHT: 65.13

SDR 35 GASKETED BELL GRAVITY APPLICATIONS

- EQUIVALENT BELL END ACCEPTS PIPE WITH SDR 35 ASTM D3034 OR EQUIVALENT O.D. SPECIFICATION IN 8" 12" 15" 18" 24" 27" 30" AND 36" SIZES. (FOR 4" AND 6" SIZES REFER TO FATBOY SPECIFICATIONS.)
- CURVATURE VARIES WITH MAINLINE DIAMETERS.
- SPIGOT END SDR 35 ASTM D3034 DIAMETERS: 8", 12", 15", 18", 24", 27" AND 30"

PART	PART NAME	WATERVALS
1	RUBBER ADAPTOR	PVC SDR 35 ASTM D3034
2	RUBBER GASKET	ASTM F477
3	SECURING CLAMP	BAND SS #301
4	RUBBER ELBOW	SCREW SS #301
5	UPPER SEGMENT	ASTM F477
6	LOWER SEGMENT	ASTM F477

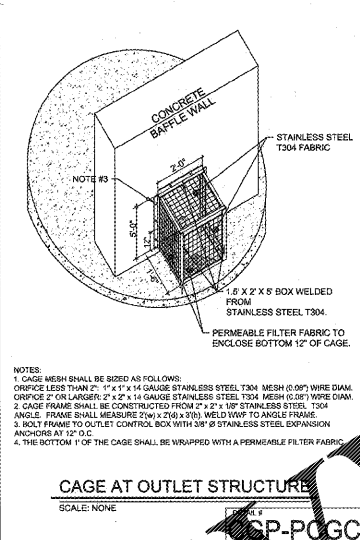
NOTE: RECOMMENDED METHOD OF CUTTING HOLES IN CONCRETE IS WITH AN ANCHOR BOLT AND A SAW FOR PVC AND OTHER PLASTIC, AND DRAMING BIT FOR CONCRETE, CLAY, FIBER AND D.I. (SEE INSTALLATION INSTRUCTIONS. HOLES SHOULD BE AVAILABLE FOR PURCHASE OR BUILT.)

FATBOY, SDR 26, SDR 35 GASKETED BELL GRAVITY APPLICATIONS

- BELL END ACCEPTS PIPE WITH SDR 26, SDR 35 AND ASTM D3034 OR EQUIVALENT O.D. SPECIFICATION IN 4" AND 6" SIZES.
- CURVATURE VARIES WITH MAINLINE DIAMETERS.
- SPIGOT END SDR 26, PVC SDR 35, ASTM D3034 DIAMETERS: 4" AND 6"

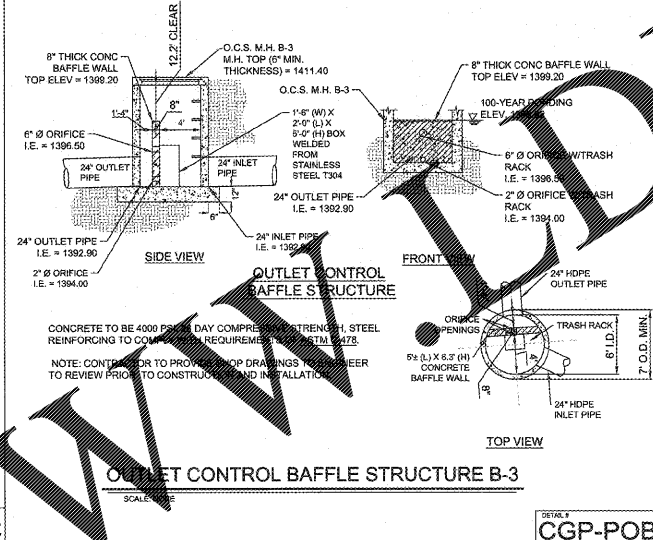
PART	PART NAME	WATERVALS
1	RUBBER ADAPTOR	PVC SDR 26 ASTM D3034
2	RUBBER GASKET	ASTM F477
3	SECURING CLAMP	BAND SS #301
4	RUBBER ELBOW	SCREW SS #301
5	UPPER SEGMENT	ASTM F477
6	LOWER SEGMENT	ASTM F477

NOTE: RECOMMENDED METHOD OF CUTTING HOLES IN CONCRETE IS WITH AN ANCHOR BOLT AND A SAW FOR PVC AND OTHER PLASTIC, AND DRAMING BIT FOR CONCRETE, CLAY, FIBER AND D.I. (SEE INSTALLATION INSTRUCTIONS. HOLES SHOULD BE AVAILABLE FOR PURCHASE OR BUILT.)



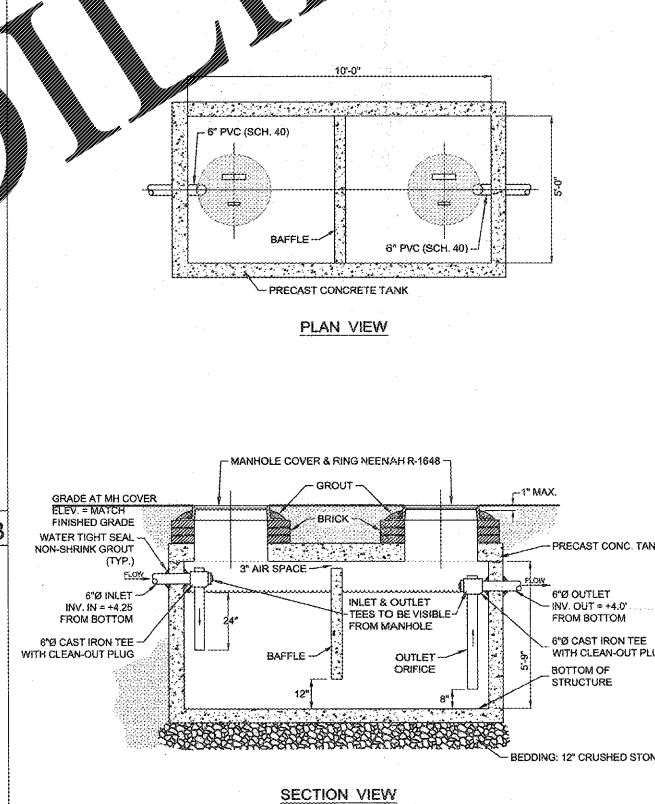
CAGE AT OUTLET STRUCTURE
SCALE: NONE

CGP-POGC



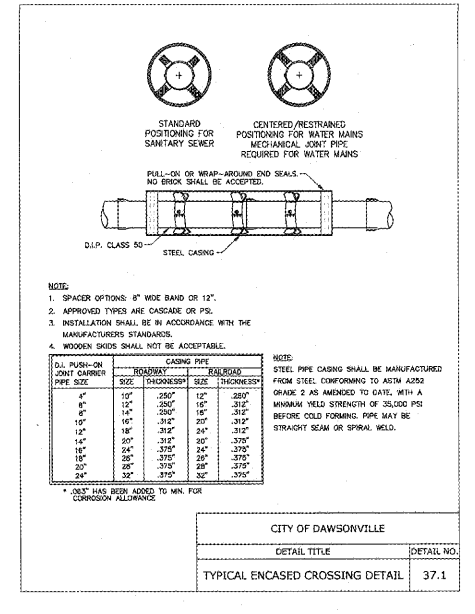
OUTLET CONTROL
BAFFLE STRUCTURE B-3
SCALE: NONE

CGP-POB

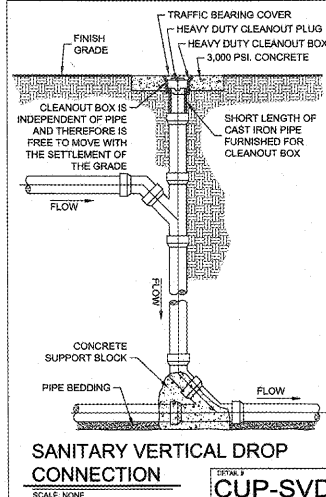


GREASE TRAP 1,500 GAL DOUBLE MH
SCALE: NONE

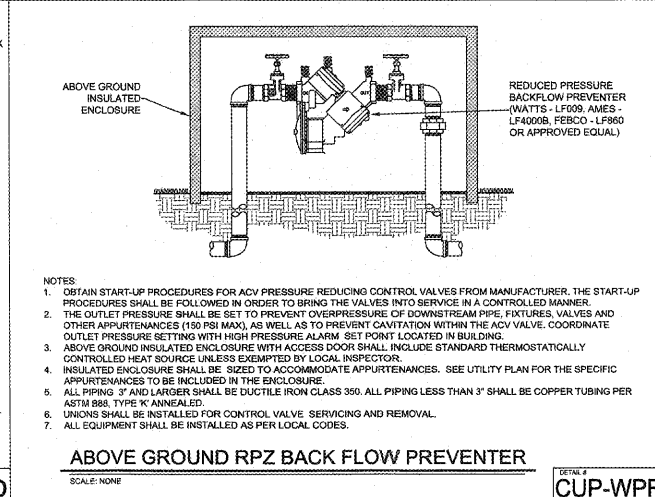
CUP-SGT1.5K



CITY OF DAWSONVILLE
DETAIL TITLE: TYPICAL ENCASED CROSSING DETAIL
DETAIL NO.: 37.1



SANITARY VERTICAL DROP
CONNECTION
SCALE: NONE



ABOVE GROUND RPZ BACK FLOW PREVENTER
SCALE: NONE

CUP-WPR3

ROBERTSON INDIA ROOF ARCHITECTS ENGINEERS
3465 Preston Ridge Rd., Marietta, GA 30067
770.474.2600 / rindia.com

(licby No. 642.0198)

Dawson County College and Career Academy
Dawsonville, Georgia
Dawson County Schools
Overall Squarefootage = 35,800 SF
LIT# = 1625

REVISIONS

DATE: 05-07-2018
PROJECT NUMBER: 17-303
C - 6.3

Order Plans @ WWW.WORLDLINE.COM