

DRAWING INFORMATION		
DATE	DESCRIPTION	BY
06-07-18	FOR CONSTRUCTION	KM

NCA
CONSULTANTS/GROUP
4585 140TH AVE. NORTH, SUITE #1001
CLEARWATER, FLORIDA
PHONE: (877) 530-0078
CALL NCA MARKETING FOR PRICING
NCA JOB# 18-078



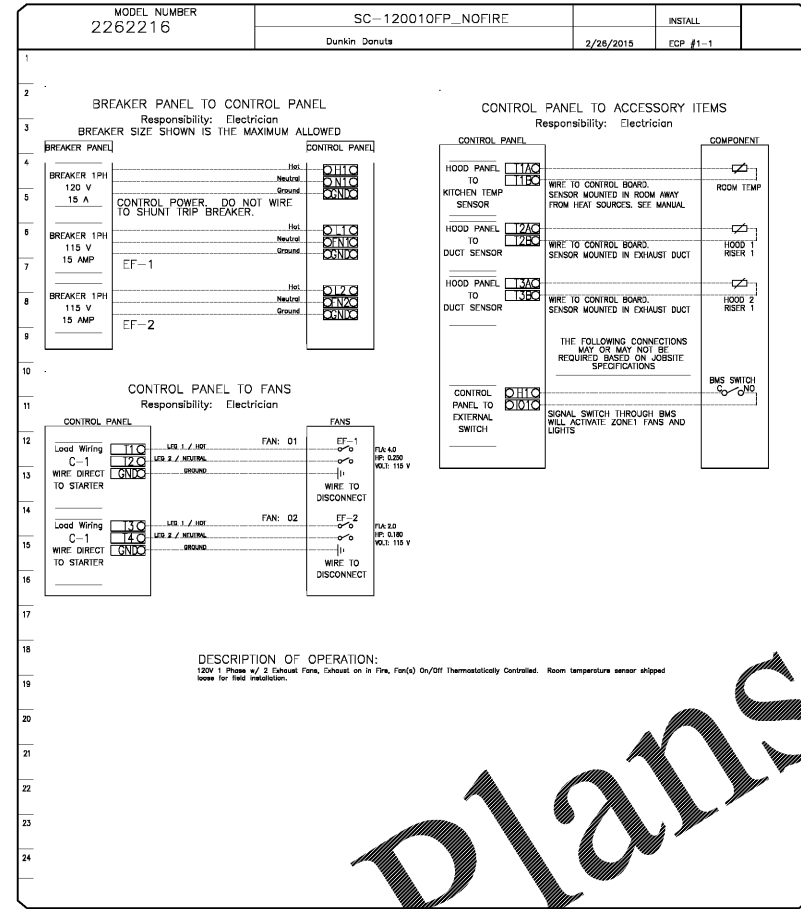
ARCHITECT OF RECORD
JAMES D. SMITH, AIA
522 BAY LN.
CENTERVILLE, MA 02632

Ron Renna, P.E.

3231 Dora Field Road
Lakeland, FL 33811 (883) 646-1258

ELECTRICAL PACKAGES - Job#2262216

NO.	TAG	PACKAGE #	LOCATION	SWITCHES		OPTION	FANS CONTROLLED				
				LOCATION	QUANTITY		TYPE	#	H.P.	VOLTS	FLA
1		SC-120010FP_NOFIRE	Wall Mount In SS Box	SS Wall Mount Box	1 Fan	Smart Controls Thermostatic Control	Exhaust	1	0.250	115	4.0
							Exhaust	1	0.180	115	2.0



NOTE:
TO ORDER EXHAUST HOODS AND EXHAUST FANS
CALL MARKETING AT NCA TOLL-FREE (877)
530-0078

SPECIFICATIONS:
THE HOOD IS A SINGLE WALL TYPE HOOD WITH NO BUILT-IN
MAKE-UP AIR CAPABILITIES. THE HOOD COMPONENTS SHALL
BE FABRICATED OF TYPE 430 S/STEEL, #3 OR #4 POLISH,
ON ALL EXPOSED SURFACES. THE HOOD SHALL BE PROVIDED
WITH HANGING ANGLES ON EACH END OF THE HOOD.
NOMINAL HOOD DIMENSIONS SHALL BE AS SHOWN ON
DRAWINGS.

GENERAL NOTES:
ALL ELECTRICAL "FIELD" CONNECTIONS AND RELATED INTERCONNECTIONS BY
ELECTRICAL CONTRACTORS.
ALL PLUMBING "FIELD" CONNECTIONS AND RELATED INTERCONNECTIONS BY
PLUMBING CONTRACTORS.
ALL ASSOCIATED HANGER MATERIALS BY INSTALLING CONTRACTORS.
8" LONG FACTORY LOCATED AND WELDED HANGER BRACKETS AS SHOWN ON
PLANS.
ALL CONNECTIONS FROM EXHAUST DUCT PER THE PLANS BY MECHANICAL
CONTRACTORS.
ANY SEISMIC RESTRAINTS ARE THE RESPONSIBILITY OF THE INSTALLING
CONTRACTORS.
INSTALLING CONTRACTORS ASSUME ALL RELATED RESPONSIBILITY FOR
VERIFICATION OF DIMENSIONAL DATA CONTAINED ON THESE DOCUMENTS FOR
ACCURACY, INTEGRATION, AND ADMINISTRATION OF CODE REQUIREMENTS IN
EFFECT PRIOR TO ANY RELEASE FOR PRODUCTION OF EQUIPMENT SHOWN.
SIGNED AND "APPROVED" COPIES OF THIS DOCUMENT MUST BE RECEIVED
BY THE FACTORY PRIOR TO COMMENCEMENT OF FABRICATION.
NOMINAL HOOD DIMENSIONS AS SHOWN ON DRAWINGS.

HOODS SHALL BE
BUILT IN COMPLIANCE WITH

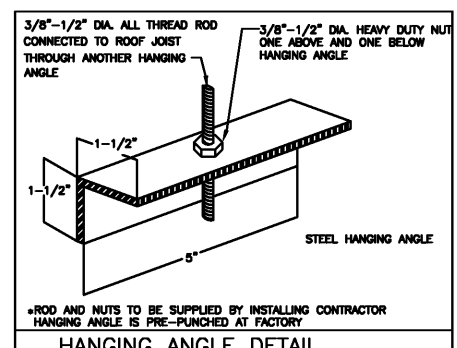
NFPA #96
NSF
UL 710 & ULC710 STANDARDS
E.T.L. LISTED 3054804-001

EXHAUST CFM=LENGTH OF HOOD X CFM/LIN.FT. (LOAD)
SUPPLY CFM=EXHAUST CFM X PERCENTAGE REQUIRED
TOTAL DUCT AREA=144 X CFM
FPM(*)

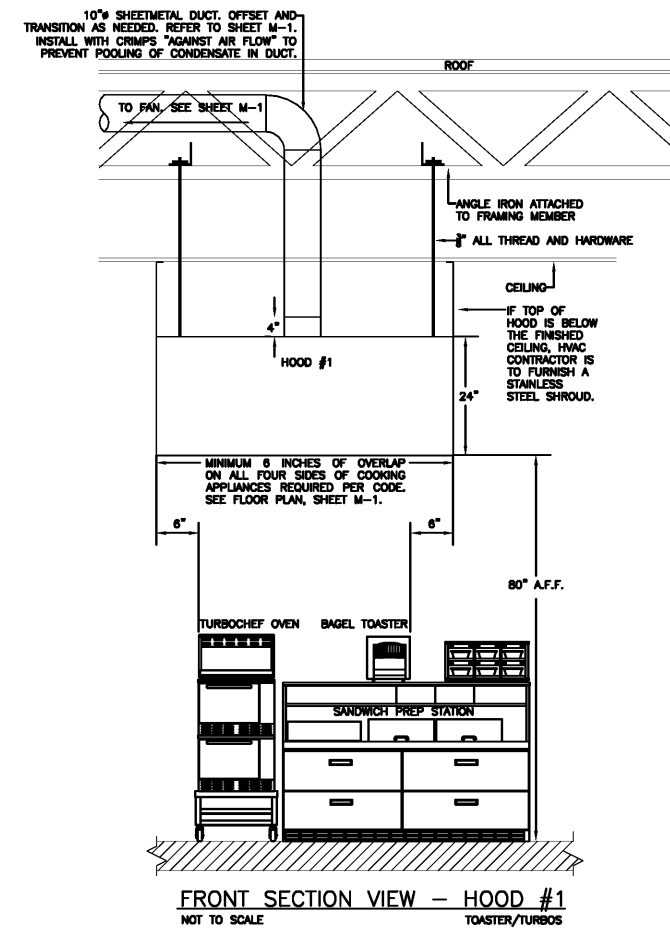
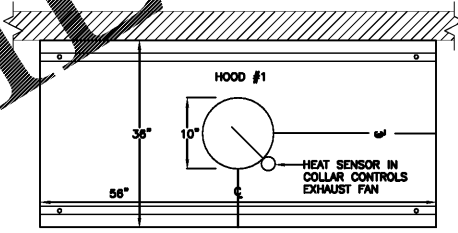
DUCT LENGTH= TOTAL DUCT AREA / DUCT DEPTH

*VENTILATOR DUCT SIZES ARE CALCULATED USING EXHAUST VELOCITY OF 900-1200 FPM AND A SUPPLY VELOCITY OF 1000 FPM. PLEASE CONSULT FACTORY FOR MAXIMUM ALLOWABLE DUCT SIZES.

CALCULATIONS UTILIZED



HOOD NO.	MAX. COOKING TEMP. DEG.	TOTAL EXH. CFM	EXHAUST PLENUM			HOOD CONSTRUCTION	FILTER(S)			HOOD WEIGHT	
			DIAMETER #	CFM	S.P.		TYPE	QTY.	HEIGHT		LENGTH
1	700	470	10"	470	-0.168"	430 SS 100%	NONE	0			200 LBS.



Order Plans

LCD SCREEN
FANS

© Copyright 2018- Drawings, specifications, notes, database, computer files, field data, and reports as instruments of service prepared by the Design of Record. As instruments of services, these items remain the property of the Design of Record, who shall retain all statutory and other reserved rights, including the copyright thereto. Any use, reproduction or changes to these documents without written consent of NCA Consultants is a violation of federal copyright laws.

DUNKIN'

dunkin' brand
STORE #957281
JEFFERSON DAVIS HWY
DUMFRIES, VA

REVISION		
No.	DATE	DESCRIPTION

DWG DATE: 06-29-2018
DRAWN BY: staff
PROJECT No.: 17157
DWG TITLE:

HOOD DETAILS

SHEET No.

M-3