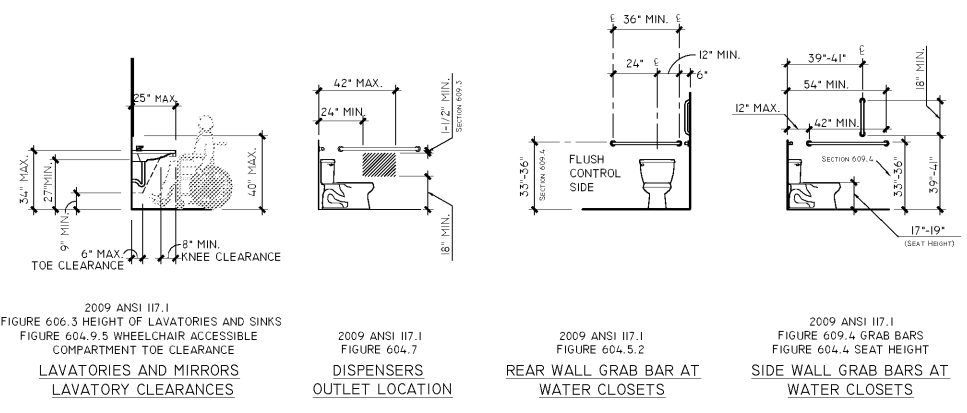


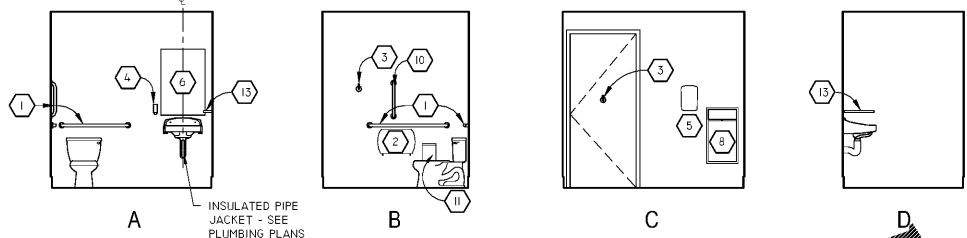
ACCESSIBILITY TOILET ROOM FIGURES - 2009 ANSI 117.1



TOILET EQUIPMENT SCHEDULE

TAG	ITEM	MANUFACTURER / PART NUMBER	MOUNTING HEIGHT	REMARKS
1	GRAB BARS	ASI 3701-18P (18") -36p (36") & -42P (42")	SEE ADA FIGURES	1-1/2" DIA. BARS PEENED GRIP, POLISHED ENDS
2	TOILET TISSUE DISPENSER	KC PROFESSIONAL #09551	SEE ADA FIGURES	SURFACE MOUNTED
3	COAT HOOK	ASI 0751	48" A.F.F.	DOOR MOUNTED
4	SOAP DISPENSER	DERMA FOAM E KAY CHEMICAL COMPANY	SEE NOTE A, C	SEE NATIONAL ACCOUNTS
5	HAND DRYER	EXCEL DRYER INC. TA-SI WG-WHITE	SEE NOTE A, C	SEE NOTE D
6	MIRROR	ASI 0620-2436	40" A.F.F. TO BOTTOM NOTE C	-
7	CLICK & CLEAN	PROCTER AND GAMBLE	-	SEE NATIONAL ACCOUNTS
8	WASTE RECEPTACLE	ASI 0458	41"-45" A.F.F. FOR ADA	RECESSED
9	BABY CHANGING STATION	KOALA K3101 VERTICAL OR AS9021 HORIZONTAL	SEE INSTALLATION INSTRUCTIONS	OPTIONAL; CENTER ON ANGLED RESTROOM WALL
10	SWING UP GRAB BAR	BOBRICK #B-4998.99	SEE INSTALLATION INSTRUCTIONS	PEENED GRIP, POLISHED ENDS
11	SANITARY NAPKIN DISPOSAL	ASI 0852	-	WOMEN'S ROOM ONLY
12	SEAT COVER DISPENSER	ASI 0477-SM	-	OPTIONAL
13	WALL SHELF	ASI 0692-516 (16")	42" A.F.F. FOR ADA; NOTE C	OPTIONAL

NOTE A: OPERATING CONTROLS OF ALL HAND DRYERS, SOAP DISPENSERS AND MULTI PURPOSE UNITS TO BE 42" A.F.F. NOTE B: G.C. TO FIELD VERIFY ALL SIZES.  
NOTE B: TOILET TISSUE & PAPER TOWEL DISPENSERS SUPPLIED FREE FROM LOCAL DCP; INSTALLED BY G.C.  
NOTE C: PROVIDE BLOCKING FOR ALL WALL MOUNTED FIXTURES AND ACCESSORIES.  
NOTE D: SURFACE MOUNT HAND DRYER W/ DBI BRANDING AND SUSTAINABILITY MESSAGE BY EXCEL DRYER. SEE NATIONAL ACCOUNTS (412-525-4531). HAND DRYER TO BE ORDERED FROM NATIONAL ACCOUNT SUPPLIER, AND IS REQUIRED TO HAVE STANDARD DBI GREEN MESSAGING/BRANDING



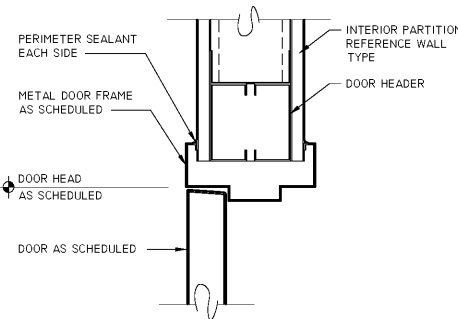
A4 RESTROOM ACCESSORIES ELEVATIONS

SCALE: 1/4" = 1'-0"



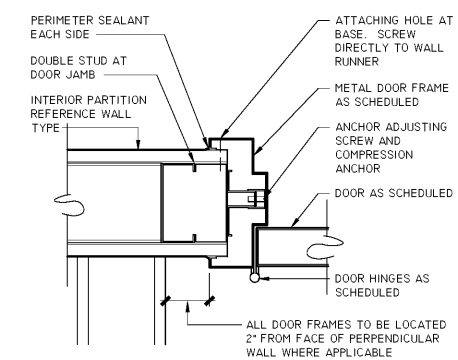
A1 RESTROOM ACCESSORIES PLAN

SCALE: 1/4" = 1'-0"



G10 DOOR HEAD DETAIL

SCALE: 3" = 1'-0"



G7 DOOR JAMB DETAIL

SCALE: 3" = 1'-0"

DOOR SCHEDULE

TAG	LEAFS	DOOR				FRAME			DETAILS			ASSEMBLY		REMARKS				
		WIDTH	HEIGHT	THK.	ELEV.	MATERIAL	FINISH INT.	EXT.	ELEV.	MATERIAL	FINISH INT.	EXT.	HEAD		JAMB	SILL	HDW.SET	RATING
E1	1	3'-0"	7'-0"	1-3/4"	NS-1	ALUM/GLAZE	EX.	NOTE 1	NOTE 1	NOTE 1	EX.	EX.	EX.	EX.	EX.	1	-	1,3,5
E2	1	3'-0"	7'-0"	1-3/4"	F	HM	EX.	NOTE 1	NOTE 1	NOTE 1	EX.	EX.	EX.	EX.	EX.	6	-	1,3
1	1	3'-0"	7'-0"	1-3/4"	F	SCW	P-2	1	HM	P-2	G10	G7	-	-	5	-	2,3,4	

DOOR HARDWARE SCHEDULE

FINISH HARDWARE SCHEDULE (HARDWARE INDICATED IS FOR EACH DOOR USING THAT SET NUMBER. MULTIPLY HARDWARE BY NUMBER OF DOORS)

SET NO. 1 - DOOR FROM SALES AREA TO EXTERIOR:

- TEMPORARY CYLINDER, HAGER 3901 OR 3902 AS REQUIRED.
- HAGER 5200 MLT 1-6 DLY ALM (HANDICAP ACCESS) DOOR CLOSERS
- OFFSET PIVOTS
- ADAMS RITE MS 1850A DEADLOCK
- MANUFACTURER'S STANDARD PUSH/PULL HARDWARE. REFER TO DRAWINGS FOR DOORS WHICH ARE TO BE PREPARED FOR CUSTOM 'D' HANDLES. REFER TO NATIONAL ACCOUNTS FOR ORDERING AND INSTALLATION INFORMATION.
- WEATHERSTRIPPING, EPDM BULB TYPE BY HKK
- HAGER 404S MIL 1/2" X 4" THRESHOLD

SET NO. 2 - DOOR FROM SALES AREA TO EXTERIOR:

- HAGER 5200 MLT 1-6 DLY ALM (HANDICAP ACCESS) DOOR CLOSERS
- OFFSET PIVOTS
- ADAMS RITE MS 1850A DEADLOCK
- MANUFACTURER'S STANDARD PUSH/PULL HARDWARE. REFER TO DRAWINGS FOR DOORS WHICH ARE TO BE PREPARED FOR CUSTOM 'D' HANDLES. REFER TO NATIONAL ACCOUNTS FOR ORDERING AND INSTALLATION INFORMATION.
- WEATHERSTRIPPING, EPDM BULB TYPE BY HKK
- HAGER 404S MIL 1/2" X 4" THRESHOLD

SET NO. 3 - DOOR FROM SALES AREA TO EXTERIOR:

- HAGER 5200 MLT 1-6 DLY ALM (HANDICAP ACCESS) DOOR CLOSERS
- OFFSET PIVOTS
- ADAMS RITE MS 1850A DEADLOCK
- MANUFACTURER'S STANDARD PUSH/PULL HARDWARE. REFER TO DRAWINGS FOR DOORS WHICH ARE TO BE PREPARED FOR CUSTOM 'D' HANDLES. REFER TO NATIONAL ACCOUNTS FOR ORDERING AND INSTALLATION INFORMATION.
- WEATHERSTRIPPING, EPDM BULB TYPE BY HKK
- HAGER 404S MIL 1/2" X 4" THRESHOLD

SET NO. 4 - DOOR FROM HALL TO EXTERIOR:

- HAGER 5200 MLT 1-6 DLY ALM (HANDICAP ACCESS) DOOR CLOSERS
- OFFSET PIVOTS
- ADAMS RITE MS 1850A DEADLOCK
- MANUFACTURER'S STANDARD PUSH/PULL HARDWARE. REFER TO DRAWINGS FOR DOORS WHICH ARE TO BE PREPARED FOR CUSTOM 'D' HANDLES. REFER TO NATIONAL ACCOUNTS FOR ORDERING AND INSTALLATION INFORMATION.
- WEATHERSTRIPPING, EPDM BULB TYPE BY HKK
- HAGER 404S MIL 1/2" X 4" THRESHOLD

SET NO. 5 - DOORS FROM TOILETS TO HALL:

- 1-1/2 PAIR BUTTS, HAGER, BB-1279 2P
- 1 LOCKSET, HAGER 3440 WIN US26D
- 1 FLOOR STOP, HAGER 2411 US26D
- 1 PLATE, HAGER 2411 US26D
- 1 CLOSER, HAGER 3440 WIN US26D
- UNISEX RESTROOM INSTALLATION KIT, DOOR, 3000MM W/ EQUIPMENT ORDER

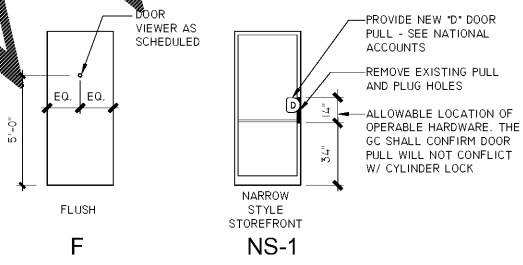
SET NO. 6 - DOOR FROM HALL TO EXTERIOR:

- 3 EX. HINGE, HAGER BB-1279 2P
- 1 LOCKSET, HAGER 3440 WIN US26D
- 1 CLOSER, HAGER 3440 WIN US26D
- 1 THRESHOLD, HAGER 404S MIL
- 1 SWEET, HAGER 2411 US26D
- 1 HOLD/STOP, HAGER 2685 US26D
- 1 SET STRIPPING, HAGER 800S 3 MIL
- 1 GUARD, HAGER 341 D 32D
- 1 DOOR VIEWER, HAGER 1756 US26D
- ALTERNATE DOOR VIEWER: MODEL #L-VGLF-WD, 9" X 5", NATIONAL GUARD PRODUCTS

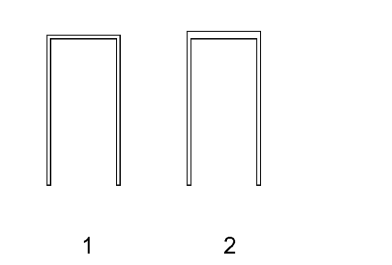
DOOR AND FRAME NOTES

- DOOR AND FRAME IS EXISTING TO REMAIN. DOOR AND FRAME HARDWARE SCHEDULES HAVE BEEN PROVIDED FOR NEW FINISHES AND DOOR HARDWARE RELOCATION AND REPLACEMENT.
- UNDERCUT DOOR.
- REFER TO DUNKIN' BRANDS SPECIFICATION FOR HARDWARE SCHEDULE FOR ALL DOORS.
- PROVIDE NEW COAT HOOK PER DUNKIN' BRANDS STANDARD ON RESTROOM SIDE OF DOORS.
- PROVIDE CUSTOM 'DD' DOOR HANDLE FOR EACH DOOR LEAF. SEE NATIONAL ACCOUNTS.

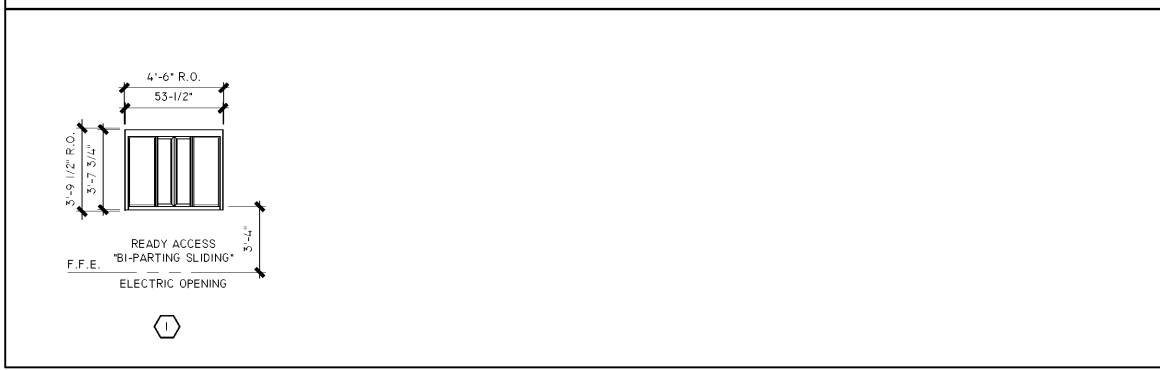
DOOR TYPE ELEVATIONS



DOOR FRAME TYPE ELEVATIONS



WINDOW TYPE SCHEDULE



OSR  
Quick Service Restaurant and Retail Design Group, LLC  
Cedderline Road, Suite 3D Annapolis, MD 21409  
Ph. No. (301) 364-9880



dunkin' brands.  
STORE #357281  
JEFFERSON DAVIS HWY  
DUMFRIES, VA

REVISION		
No.	DATE	DESCRIPTION

DWG DATE: 06-29-2018  
DRAWN BY: STAFF  
PROJECT No.: 17157  
DWG TITLE:

SCHEDULES & DETAILS

SHEET No.  
A-7