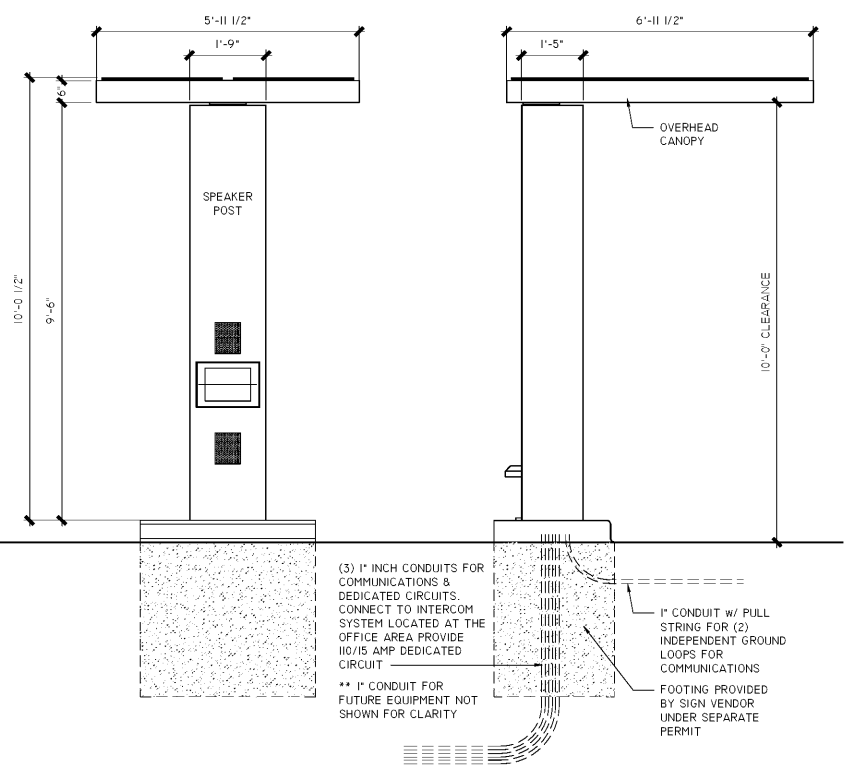
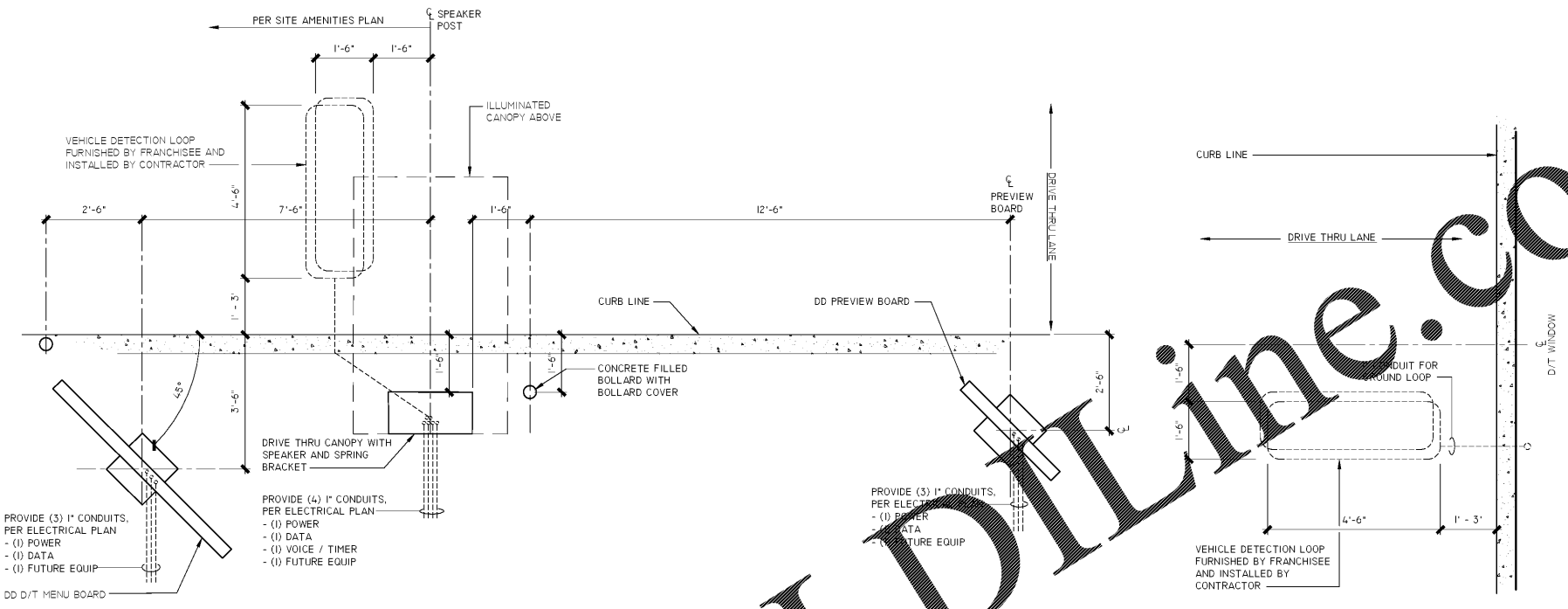




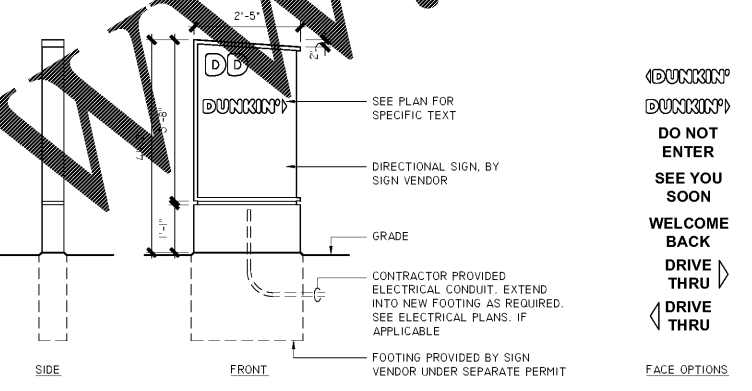
Quick Service Restaurant and Retail Design Group, LLC
Feldersville Road, Suite 3D, Annapolis, MD 21409
Ph. No. (301) 364-9880



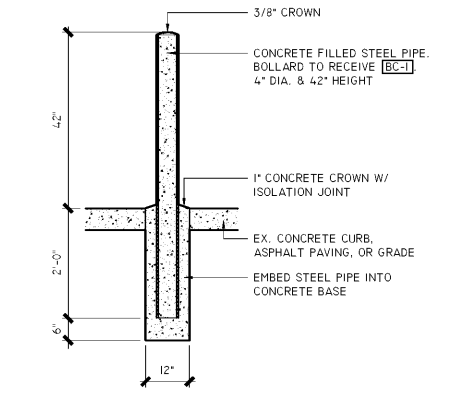
A7 D/T CANOPY/SPEAKER POST DETAIL
SCALE: 1/2" = 1'-0"



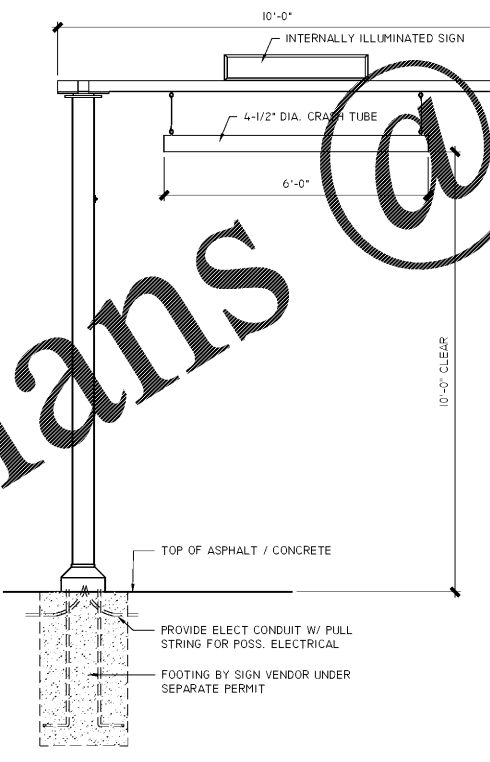
F8 DETAIL @ D/T MENU BOARD
P8 DETAIL @ D/T WINDOW
SCALE: 1/2" = 1'-0"



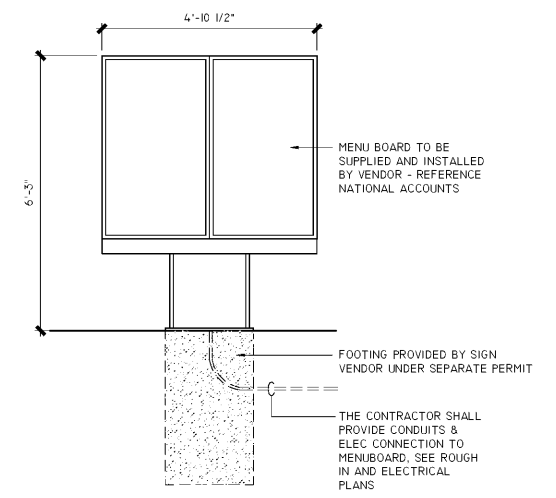
J5 D/T DIRECTIONAL SIGN DETAIL
SCALE: 1/2" = 1'-0"



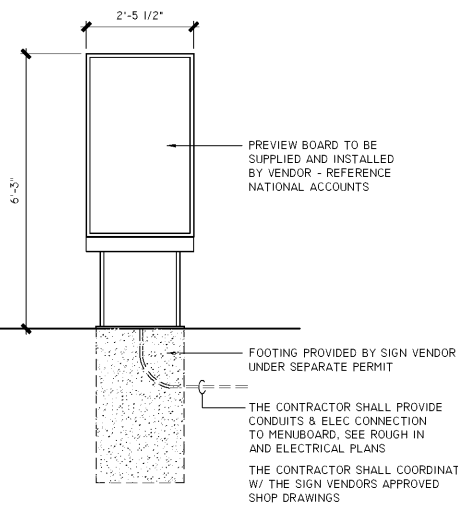
P5 BOLLARD DETAIL
SCALE: 1/2" = 1'-0"



E1 VEHICLE HT DETECTOR DETAIL
SCALE: 1/2" = 1'-0"



J1 MENU BOARD DETAIL
SCALE: 1/2" = 1'-0"



P1 PREVIEW BOARD DETAIL
SCALE: 1/2" = 1'-0"

Order Plans

WWW.LDILINE.COM

DUNKIN'

dunkin' brands.
STORE #357281
JEFFERSON DAVIS HWY
DUMFRIES, VA

REVISION		
No.	DATE	DESCRIPTION

DWG DATE: 06-29-2018
DRAWN BY: STAFF
PROJECT No.: 17157

DWG TITLE:
ARCHITECTURAL
SITE AMENITIES
DETAILS

SHEET No.
AS-2