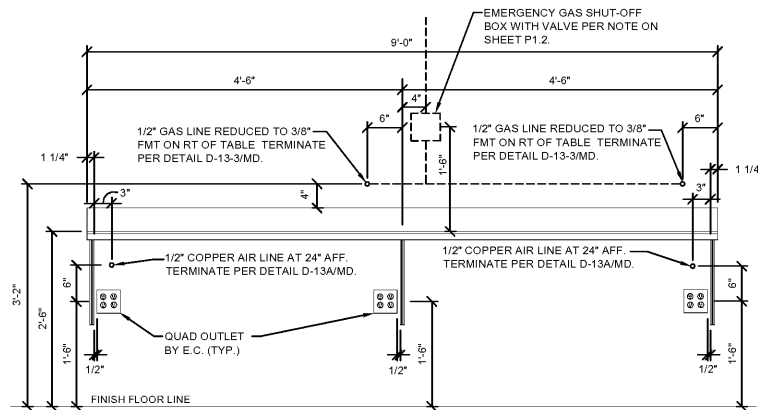


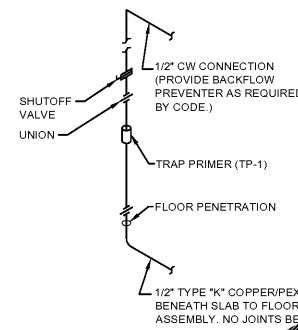
WATER HEATER PIPING DETAIL

4 P3.0 NO SCALE



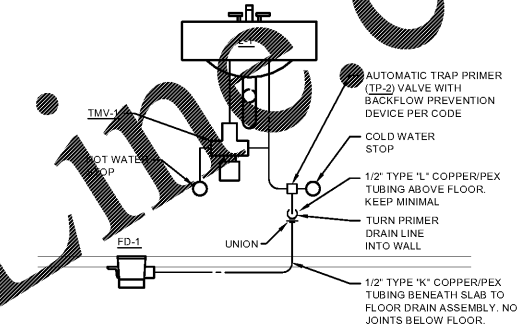
LAB WORK STATION ELEVATION

3 P3.0 SCALE: NONE



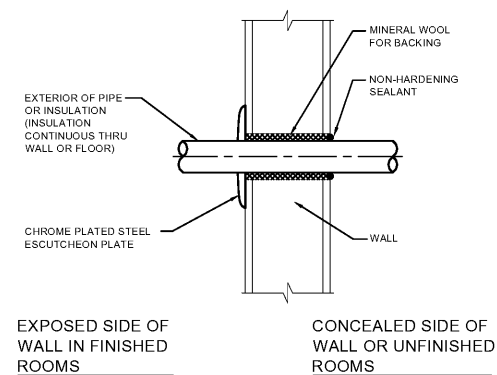
TRAP PRIMER DETAIL: SINGLE FLOOR DRAIN CONNECTIONS

2 P3.0 SCALE: NONE

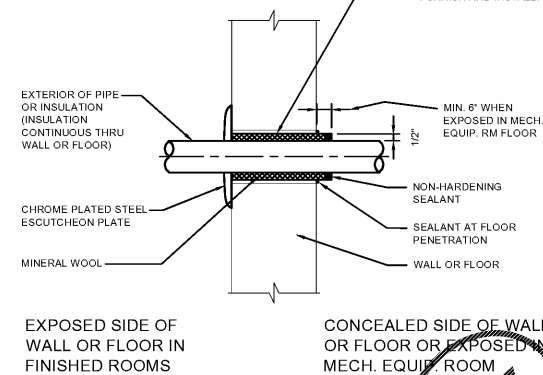


TRAP PRIMER DETAIL

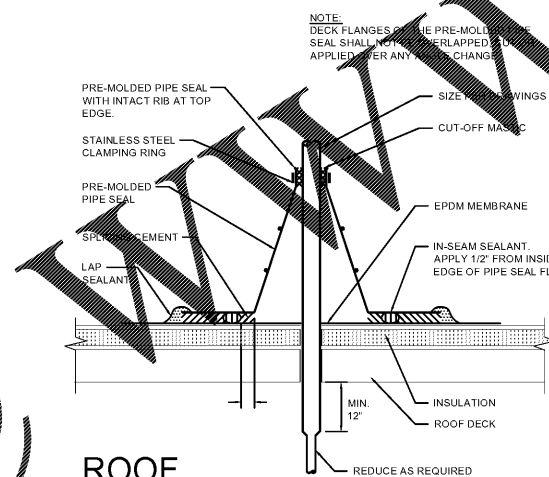
1 P3.0 SCALE: NONE



DRYWALL WALL

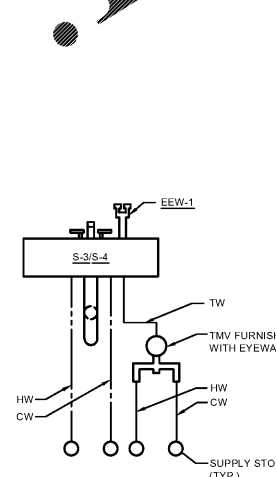


MASONRY OR CONCRETE WALL OR FLOOR



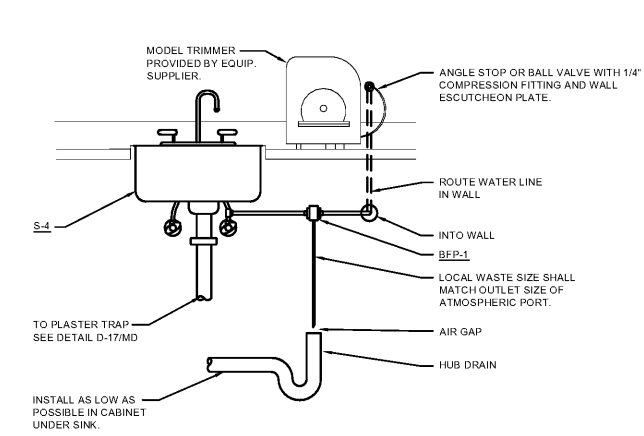
ROOF PIPE PENETRATION DETAIL

NO SCALE



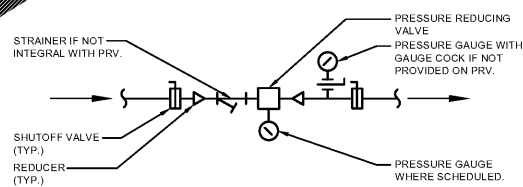
EEW DETAIL

6 P3.0 NO SCALE



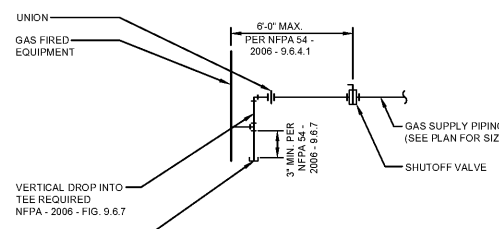
MODEL TRIMMER PIPING DETAIL

5 P3.0 NO SCALE



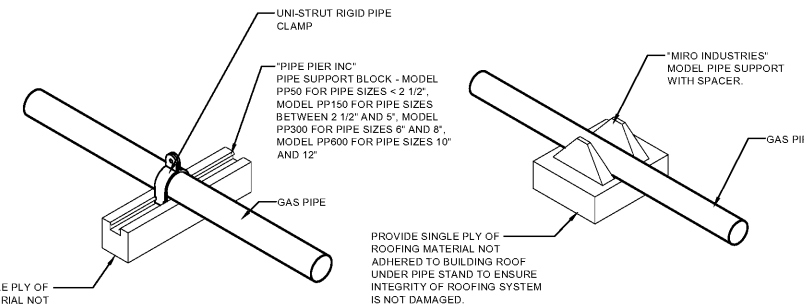
PRESSURE REDUCING VALVE DETAIL

NO SCALE



GAS PIPE CONNECTION DETAIL

NO SCALE



GAS PIPE SUPPORT ON ROOF DETAIL

NO SCALE

NOTE: EITHER METHOD SHOWN IN THIS DETAIL IS ACCEPTABLE.

EXCEL
 ARCHITECTS • ENGINEERS • SURVEYORS
 18 CAMMELT DRIVE
 FORT DU LAC, WI 54935
 PHONE: (920) 926-9800
 WWW.EXCELENGINEER.COM

PROJECT INFORMATION
 PROJECT NUMBER 1823380

TENANT BUILD-OUT FOR:
ASPEN DENTAL
 4011 WARDS ROAD • LYNCHBURG, VA 24502

PROFESSIONAL SEAL

SHEET DATES

ISSUE DATE MAY 31, 2018

REVISIONS

SHEET INFORMATION

DETAILS

SHEET NUMBER

P3.0

2018 © EXCEL ENGINEERING, INC.

Order Plans