

PROJECT INFORMATION

PROJECT NUMBER 1823380

TENANT BUILD-OUT FOR:
ASPEN DENTAL
4011 WARDS ROAD • LYNCHBURG, VA 24502

PROFESSIONAL SEAL

SHEET DATES

ISSUE DATE MAY 31, 2018

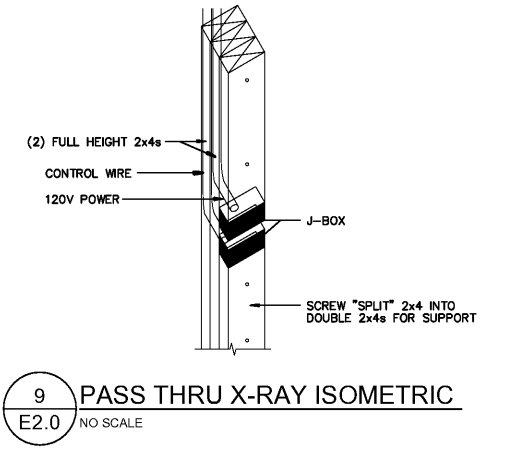
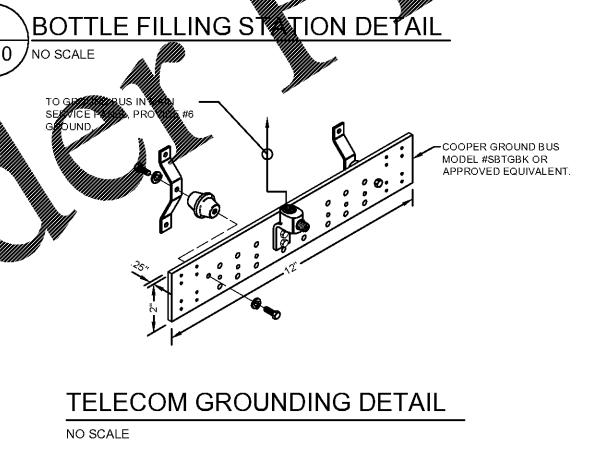
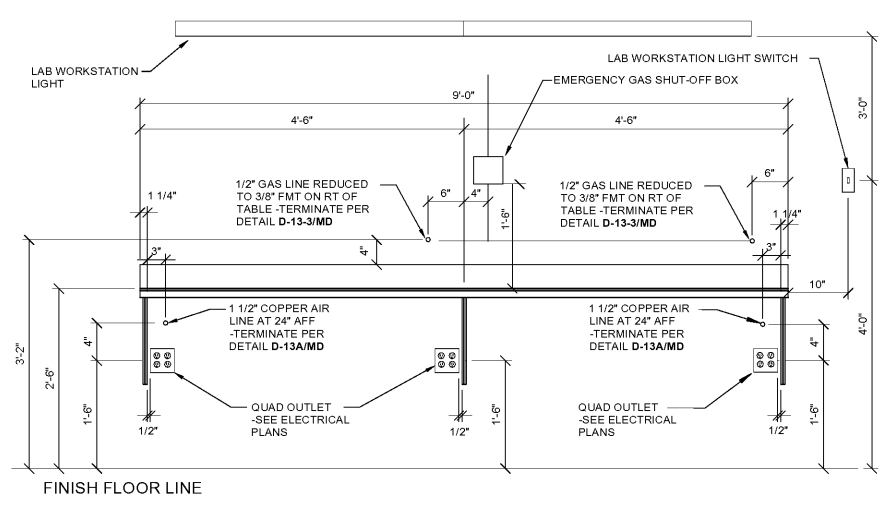
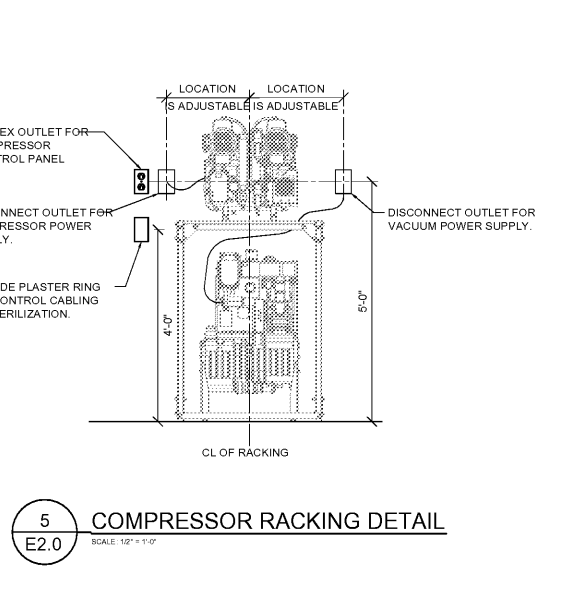
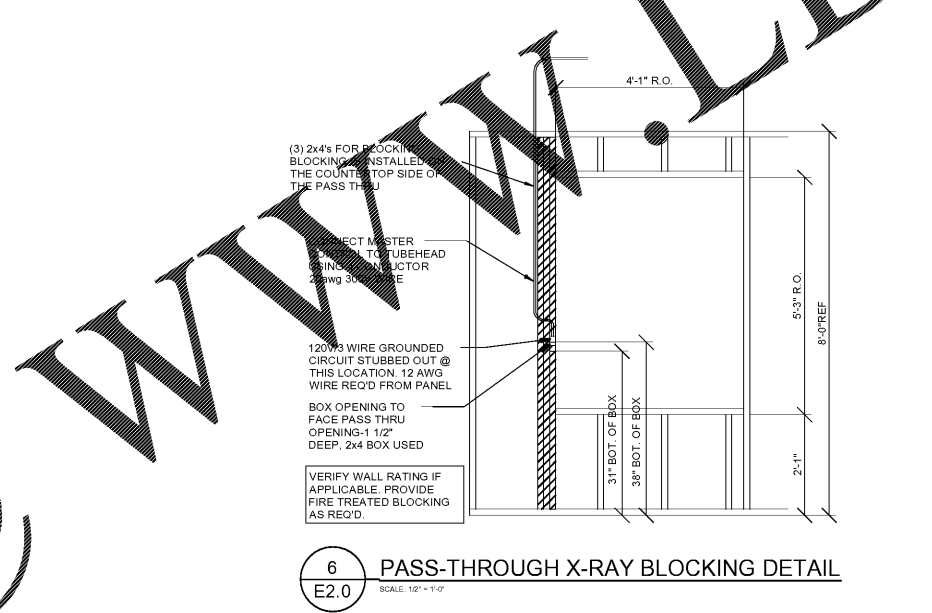
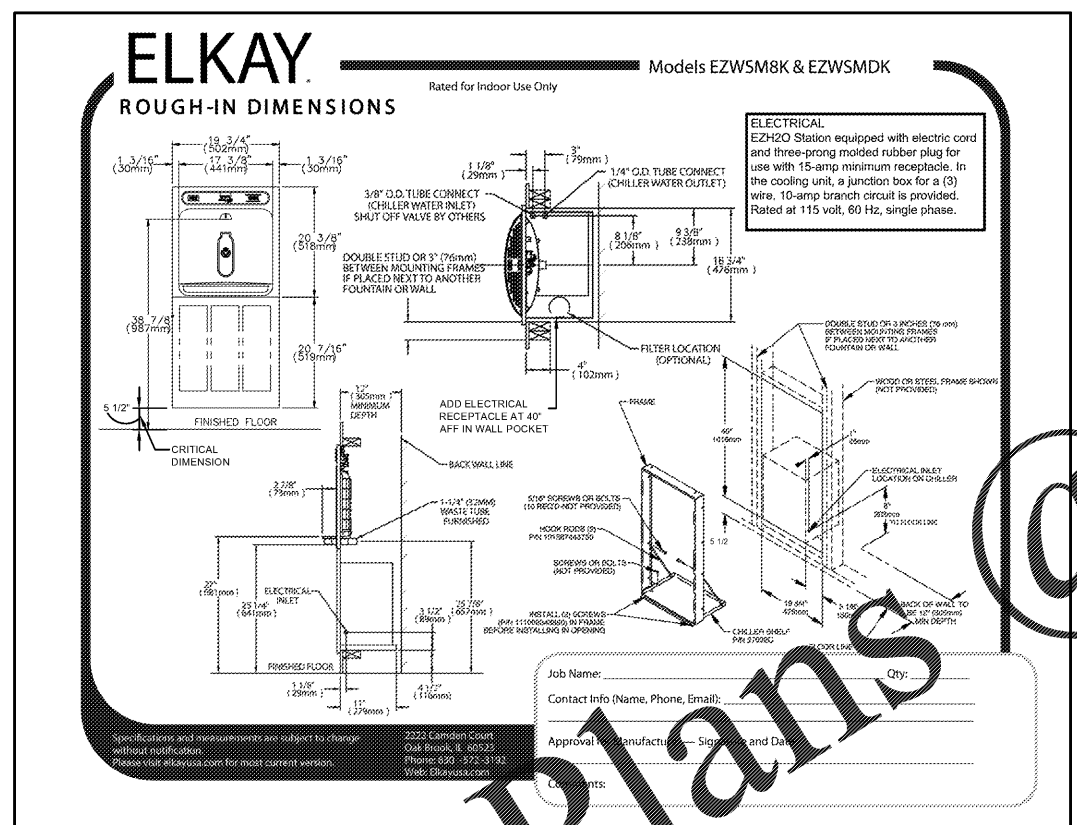
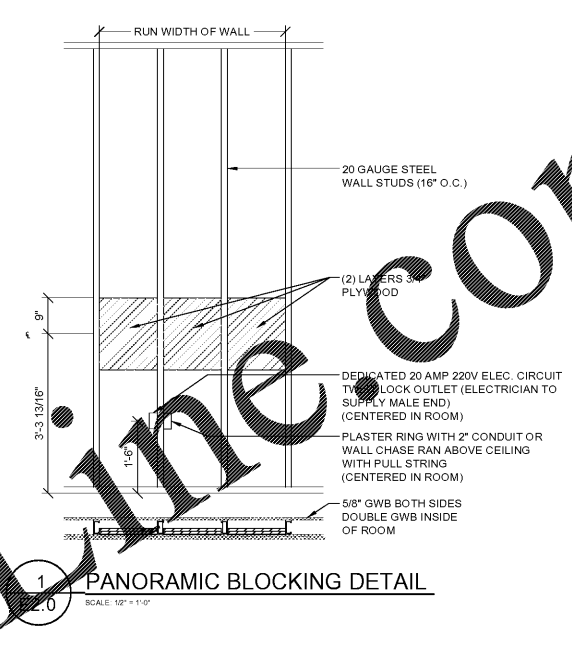
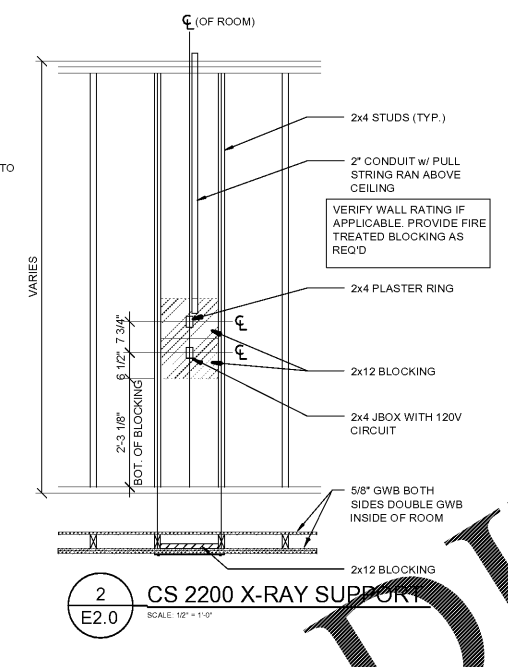
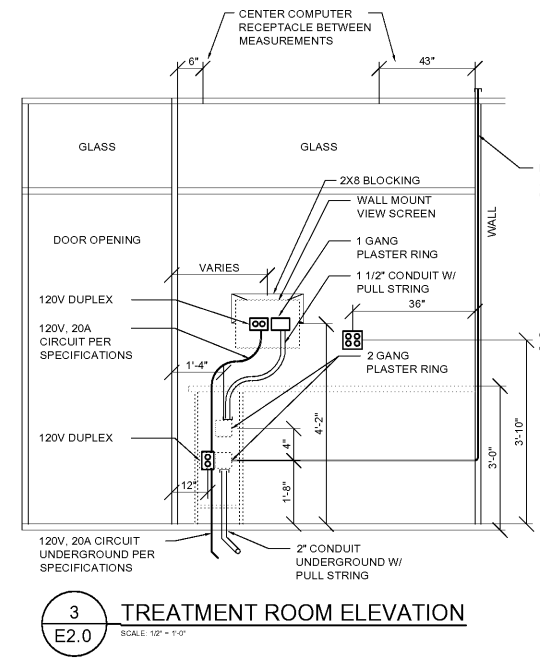
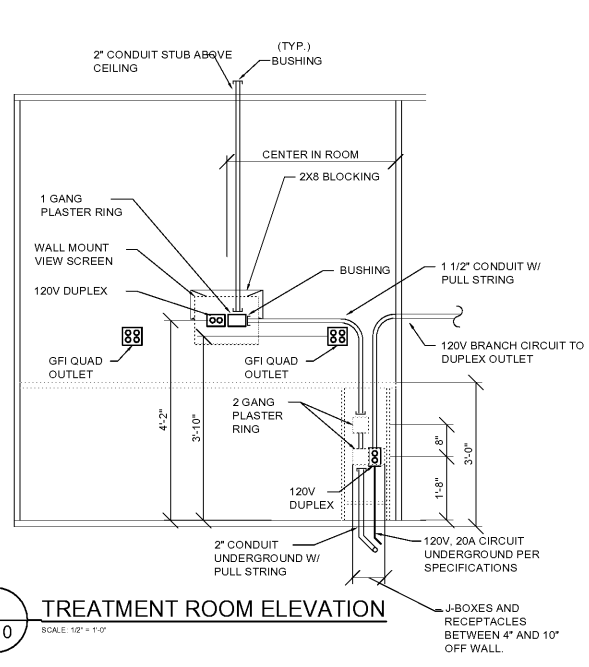
REVISIONS

SHEET INFORMATION

DETAILS

SHEET NUMBER

E2.0



Order Plans