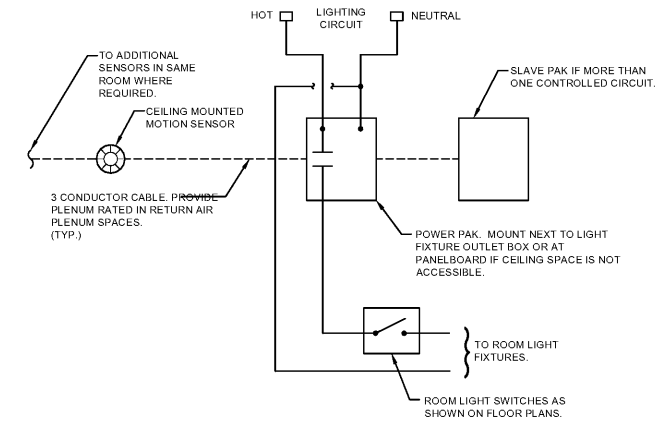


LIGHTING PLAN NOTES:

- FIXTURE SHADING INDICATES THAT FIXTURE SHALL BE ON NIGHT LIGHT CIRCUIT.
- VERIFY ALL EXPOSED CONDUIT ROUTING WITH ARCHITECT/ENGINEER WHERE CONDUIT IS EXPOSED IN FINISHED ROOMS.
- COORDINATE LIGHTING LAYOUT WITH ARCHITECT'S REFLECTED CEILING PLAN AND ADJUST LAYOUT ACCORDINGLY.
- E.C. SHALL PROVIDE ALL APPURTENANCES AND ACCESSORIES INCLUDING, BUT NOT LIMITED TO, PHOTOCELLS, CONTACTORS, SWITCHES, HANGERS, ETC., IN ORDER TO PROVIDE A COMPLETE AND OPERABLE SYSTEM.
- COORDINATE FIXTURE LOCATIONS AND MOUNTING ASSEMBLIES WITH OTHER TRADES AND TYPE OF CONSTRUCTION TO ENSURE ADEQUATE MOUNTING.
- ALL TYPE "XE" AND "EM1" EMERGENCY LIGHTS WILL BE PROVIDED WITH 90 MINUTE BATTERY BACK-UP. BATTERY CHARGER TO BE CIRCUITED TO LOCAL LIGHT CIRCUIT.
- ALL WALL MOUNTED EMERGENCY LIGHTS TO BE 8'-0" A.F.F.
- SEE ARCHITECTURAL REFLECTED CEILING AND ELEVATION PLANS FOR LOCATION OF ALL LIGHTING FIXTURES. LOCATE FIXTURES IN ACCORDANCE WITH ROOMS AND ELEVATION PLANS.

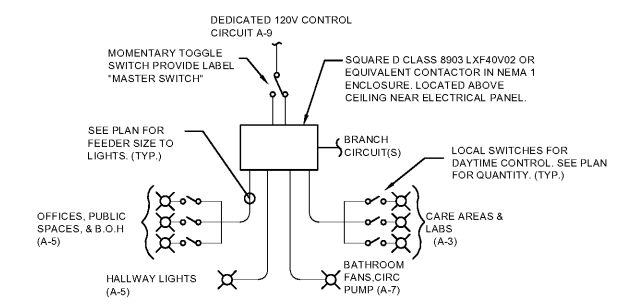
LIGHTING PLAN AND NOTES:

1. SEE INTERIOR LIGHTING CONTROL AND SWITCHING SCHEMES.
2. CIRCUIT NIGHT LIGHT UNSWITCHED TO CIRCUIT A1-1.
3. PROVIDE SWITCHES AT 48" A.F.F.
4. PROVIDE DIMMER SLIDE DIMMER WITH ON/OFF SWITCH, COOPER WIRING DEVICE SF10P-LA OR D610P-C IN ALTERNATE. TYPICAL ALL DIMMERS CONTROLLING "A" FIXTURES. SEE 0-10V DIMMER WIRING DIAGRAM.
5. WIRE REMOTE EXTERIOR EGRESS EMERGENCY HEADS FROM EXIT LIGHT BATTERY AS SHOWN. IF EXTERIOR EGRESS EMERGENCY LIGHTING IS NOT ALREADY EXISTING.
6. MOUNT BOTTOM OF FIXTURE AT 7'-0" A.F.F.
7. RESERVED.
8. LIGHT HOUSING FOR "B" FIXTURE TO BE PROVIDED BY E.C. HOUSING TO BE COOPER H750T.
9. PROVIDE SLIDE DIMMER WITH ON/OFF SWITCH, COOPER WIRING DEVICE SAL06P-LA OR EQUIVALENT BY LUTRON OR LEVITON. TYPICAL ALL DIMMERS CONTROLLING "B" FIXTURES.
10. MOUNT EXIT LIGHT TO FACE OF SOFFIT.



MOTION SENSOR DETAIL

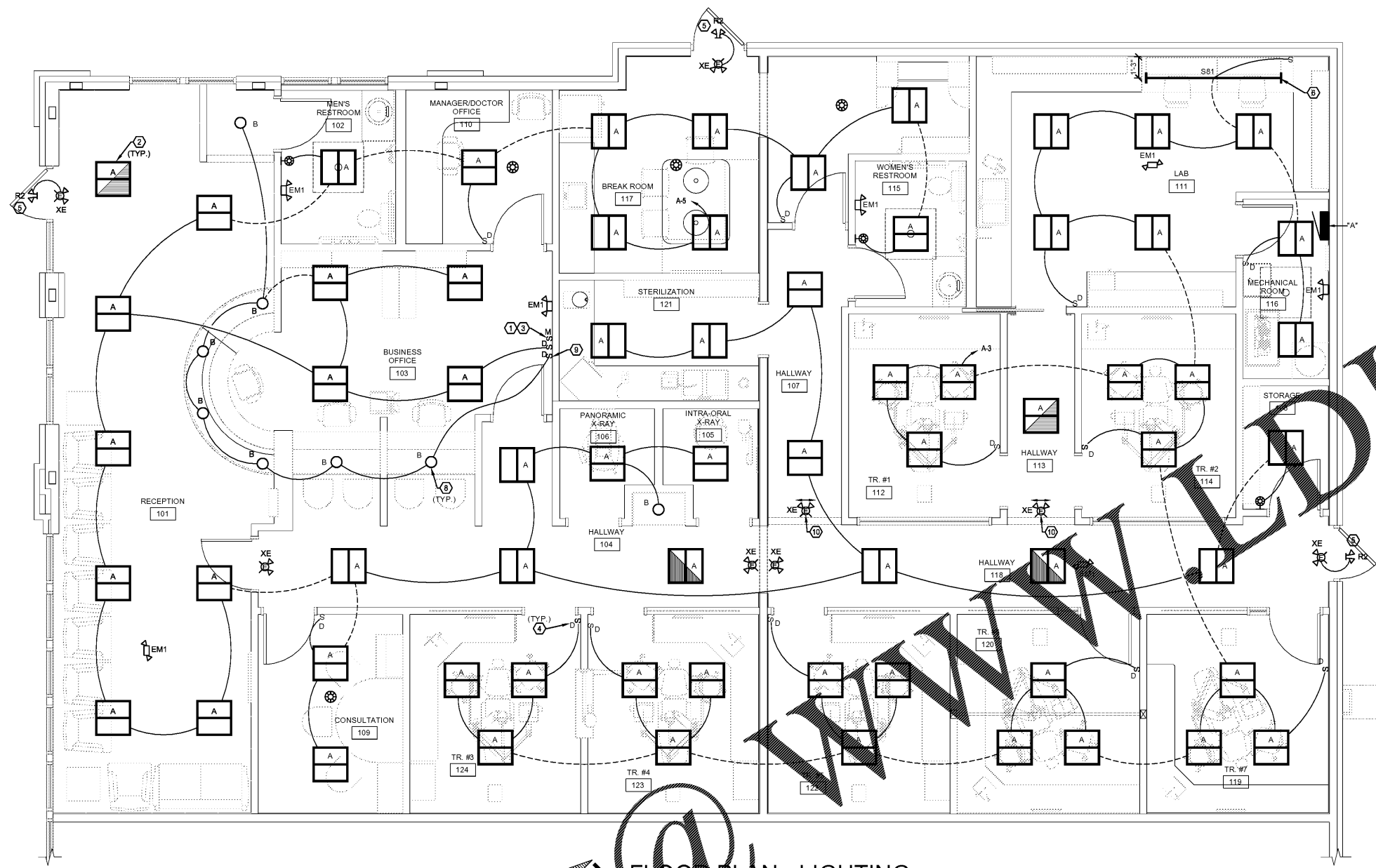
NO SCALE



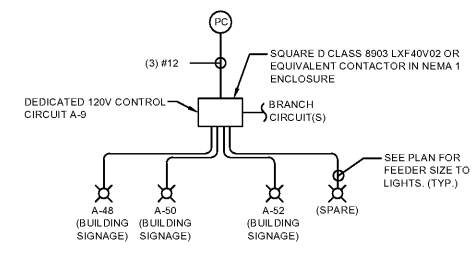
NOTE: LIGHT FIXTURES IN ALL ROOMS SHALL ULTIMATELY BE CONTROLLED BY THE MAIN SWITCH AS SHOWN, HOWEVER, LOCAL SWITCHES SHALL BE UTILIZED FOR DAYTIME CONTROLS.

INTERIOR LIGHTING CONTROL DETAIL

NO SCALE

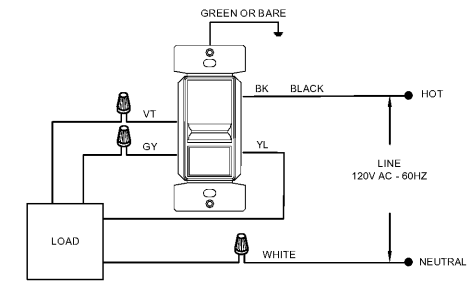


FLOOR PLAN - LIGHTING



EXTERIOR LIGHTING CONTROL DETAIL

NO SCALE



0-10V DIMMER WIRING DIAGRAM W/ NON SWITCHED RECEPT.

NO SCALE

COORDINATE LOCATION OF ALL EXPOSED CONDUIT WITH OWNER PRIOR TO INSTALLATION.

Order Plans NORTH

WWW.ONLINE.COM