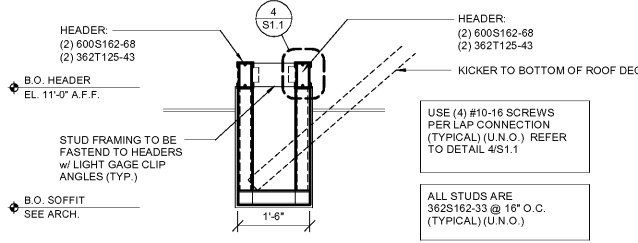
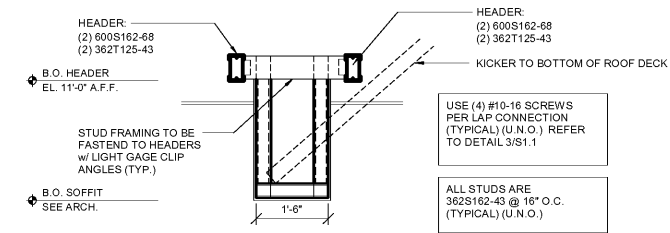


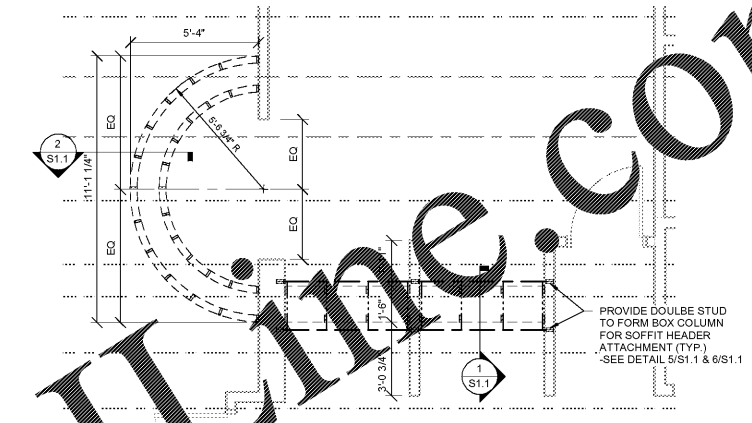
**2** CEILING SOFFIT SECTION  
S1.1 NOT TO SCALE



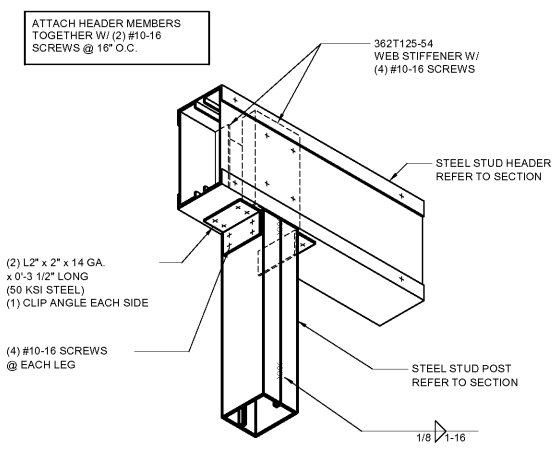
**1A** CEILING SOFFIT SECTION (ALTERNATE)  
S1.1 NOT TO SCALE



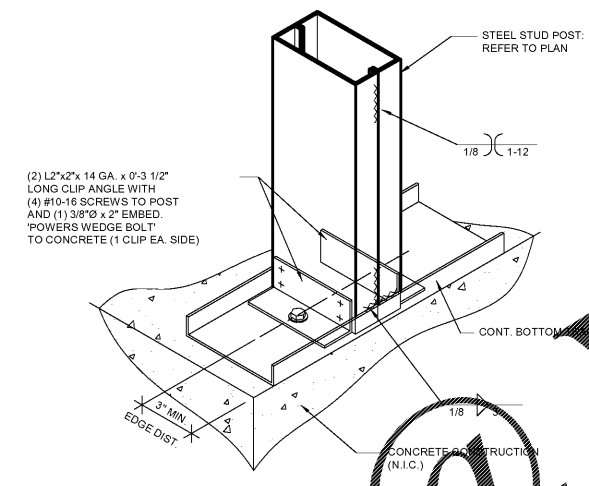
**1** CEILING SOFFIT SECTION  
S1.1 NOT TO SCALE



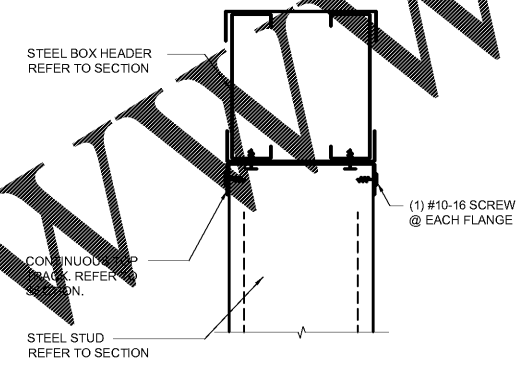
**SOFFIT FRAMING PLAN**  
SCALE: 1/4" = 1'-0"



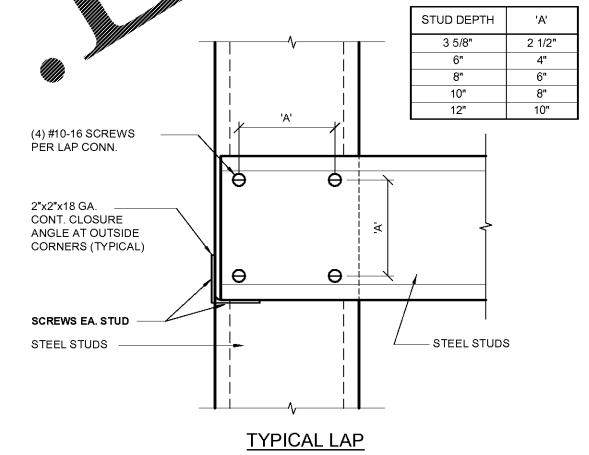
**6** HEADER-POST DETAIL  
S1.1 NOT TO SCALE



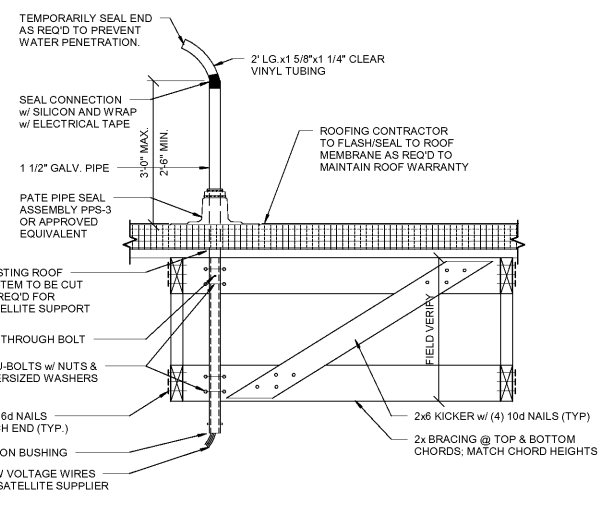
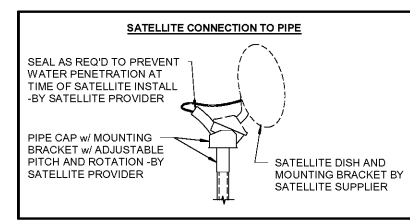
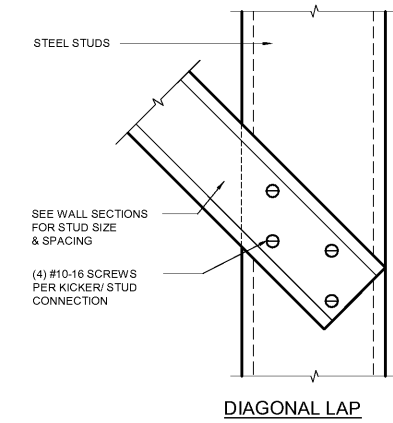
**5** POST CONNECTION DETAIL  
S1.1 NOT TO SCALE



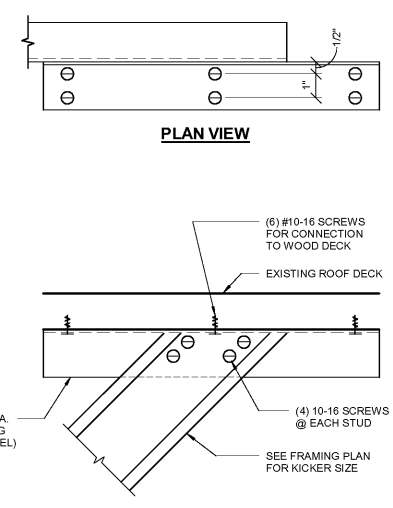
**4** CONNECTION DETAIL  
S1.1 NOT TO SCALE



**3** LAP CONNECTIONS  
S1.1 NOT TO SCALE



**8** SATELLITE SUPPORT DETAIL  
S1.1 NOT TO SCALE



**7** KICKER/DECK CONN.  
S1.1 NOT TO SCALE

Order Plans